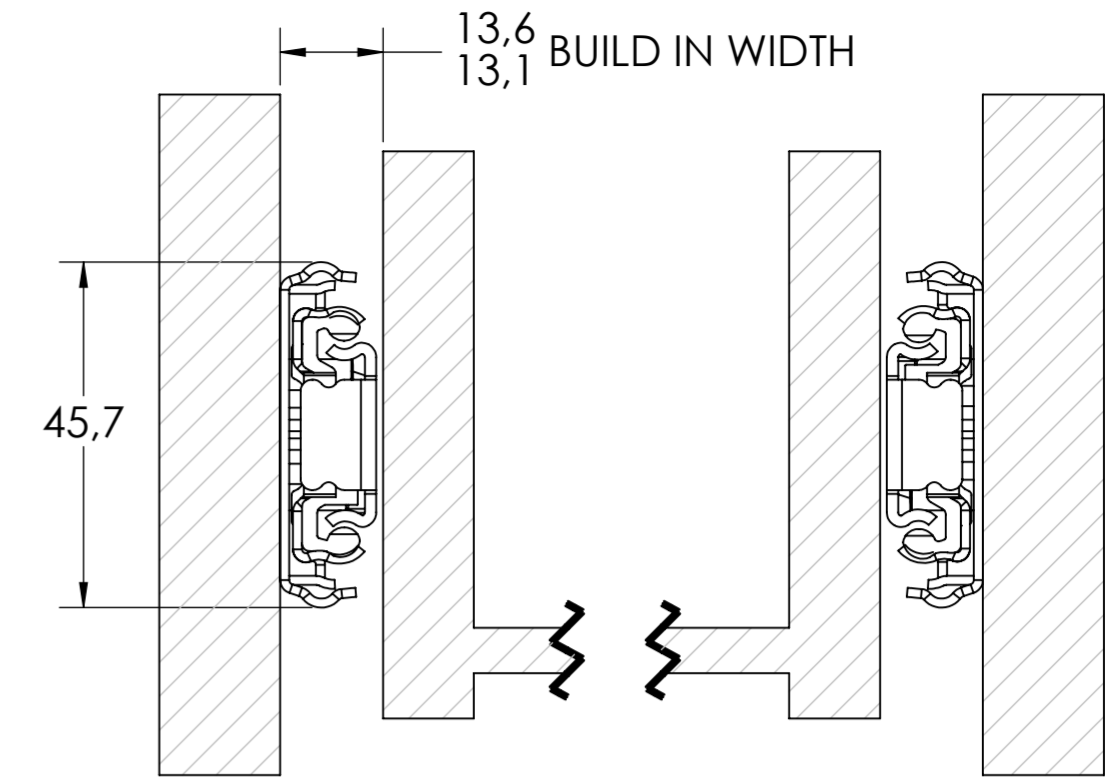
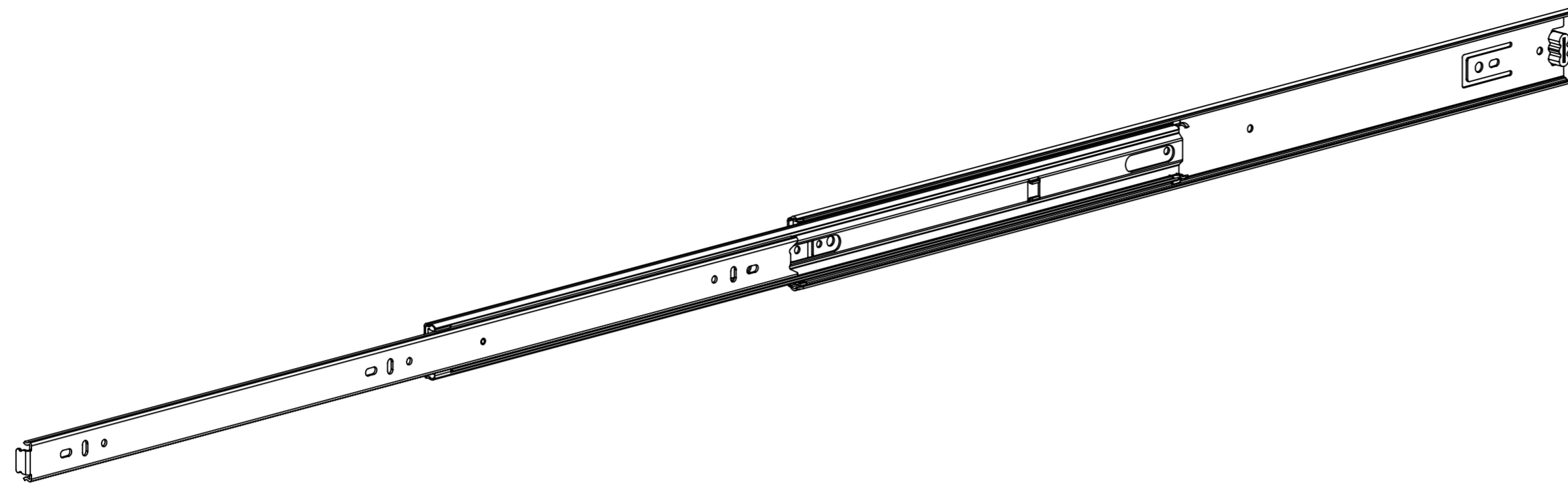
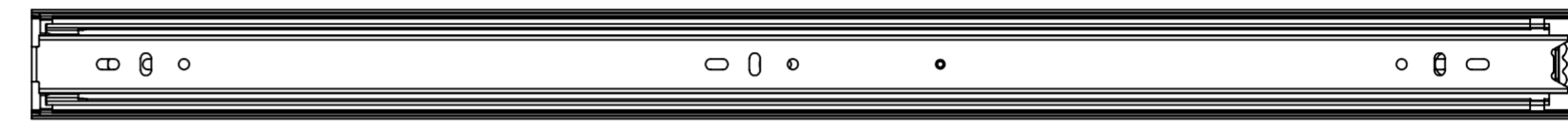


5002.650-GA.T015

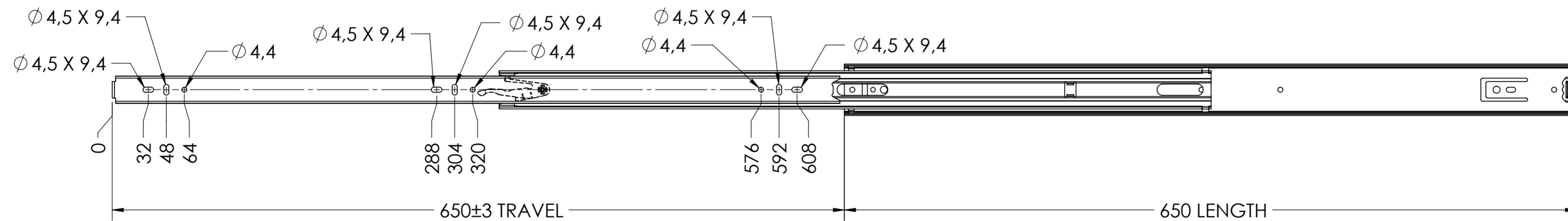
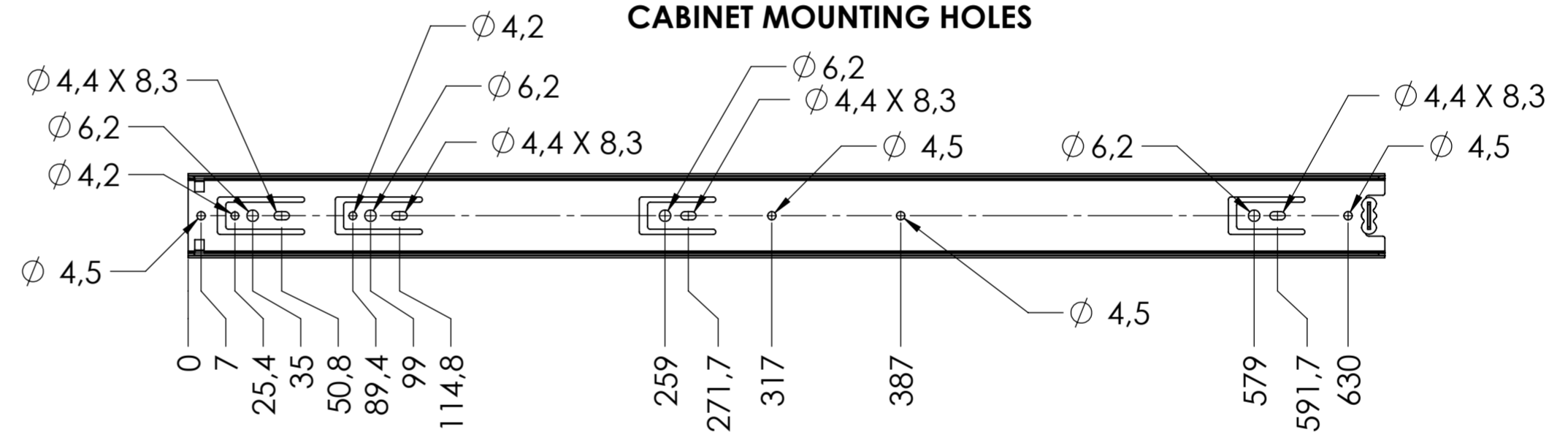
X



SCALE 1:1



CABINET MOUNTING HOLES



RECOMMENDED HARDWARE:

CABINET- SPAX 3.5mm M4 BUTTON HEAD OR #8 TRUSS HEAD SCREW

DRAWER- SPAX 3.5mm M4 BUTTON HEAD OR #8 TRUSS HEAD SCREW

general tolerances		missing dimensions see 3D = theor. intersection	
ISO 2768-m			
This drawing remains our property and may not be multiplied neither be disclosed to third parties (§§1,3 and 5 from the copyright Act (UrhG)) covered according to DIN ISO 16016			
(k)	scale:	1:31:3	surface: A2
(l)	date	12-10-2018	name: HB
(m)	drawn	12-10-2018	description: STAINLESS STEEL SIDE MOUNT STAINLESS STEEL SIDE MOUNT FULL EXTENSION DRAWER SLIDE WITH DRAWER RELEASE
(n)	proven	00-00-0000	00
(o)	Fulterer		drawing number: 5002.650-GA.T015
(p)	Fulterer AG & Co KG A-6890 Lustenau / Austria		replaces version date:
(q)	Fulterer AG CH-9430 St. Margrethen		
(r)	ind.	changes	date
(s)	0	00-00-0000	0