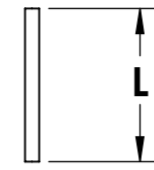
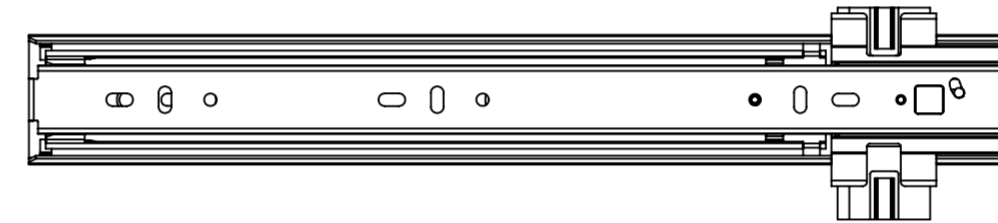
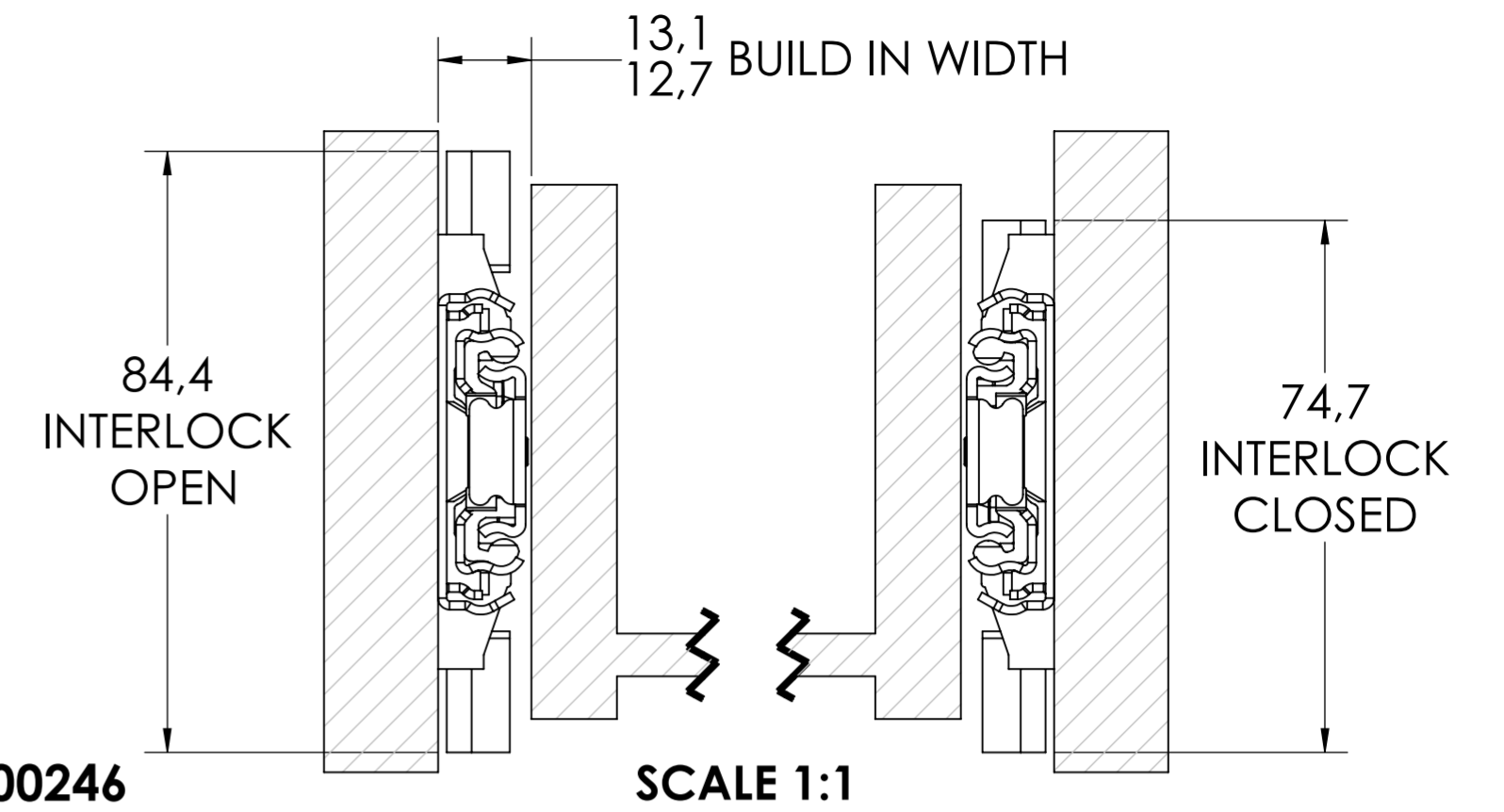


SCALE 1:4
 NOTE: 450mm LENGTH SHOWN
 RECOMMENDED MINIMUM DISTANCE BETWEEN SLIDES "A" = 90mm

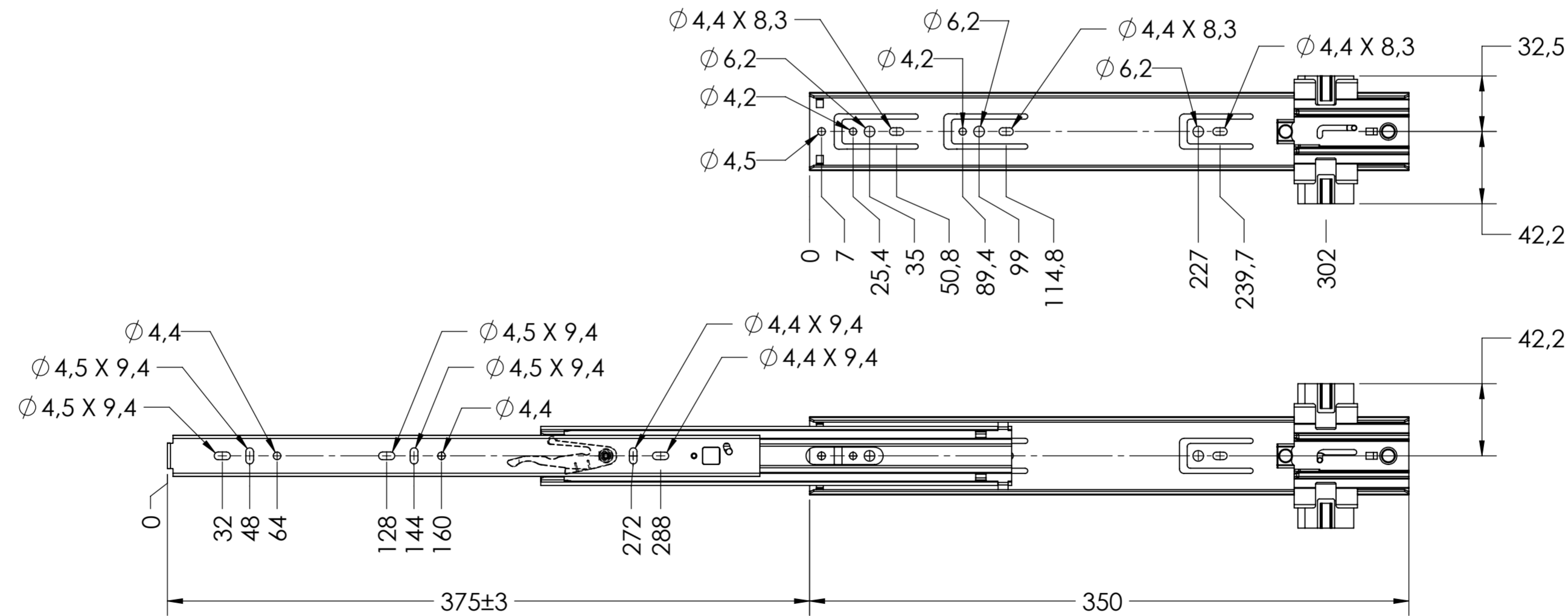


ROD LENGTH $L^{+0,-0.5} = A-46$

Ø 5mm ROD
FULTERER PART NUMBER 400246



CABINET MOUNTING HOLES



RECOMMENDED HARDWARE:

- CABINET- M4 BUTTON HEAD OR #8 TRUSS HEAD SCREW
- DRAWER- M4 BUTTON HEAD OR #8 TRUSS HEAD SCREW
- INTERLOCK Ø 5MM ALUMINUM ROD **FULTERER PART NUMBER: 400246**

general tolerances		DIN ISO 128-30 missing dimensions see 3D = theor. intersection	
ISO 2768-m			
This drawing remains our property and may not be multiplied neither be disclosed to third parties (§§1,3 and 5 from the copyright Act (UrhG)) covered according to DIN ISO 16016			
(k)	scale:	3:8	surface:
(l)	date	21-02-2019	name
(m)	drawn	HB	description:
(n)	proven	00-00-0000	00
(o)	Fulterer		SIDE MOUNT OVER EXTENSION INTERLOCK DRAWER SLIDE WITH DRAWER DISCONNECT
(p)			
(q)	Fulterer AG & Co KG A-6890 Lustenau / Austria		drawing number:
(r)	Fulterer AG CH-9430 St. Margrethen		5019.350-GA.T037
(s)	changes	date	na.
(t)	replaces version date:		