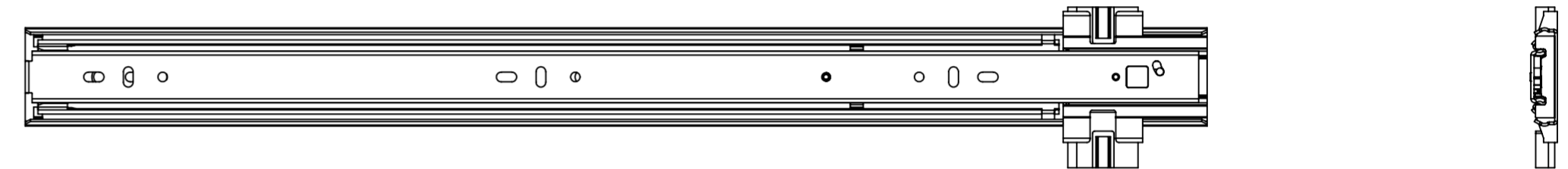
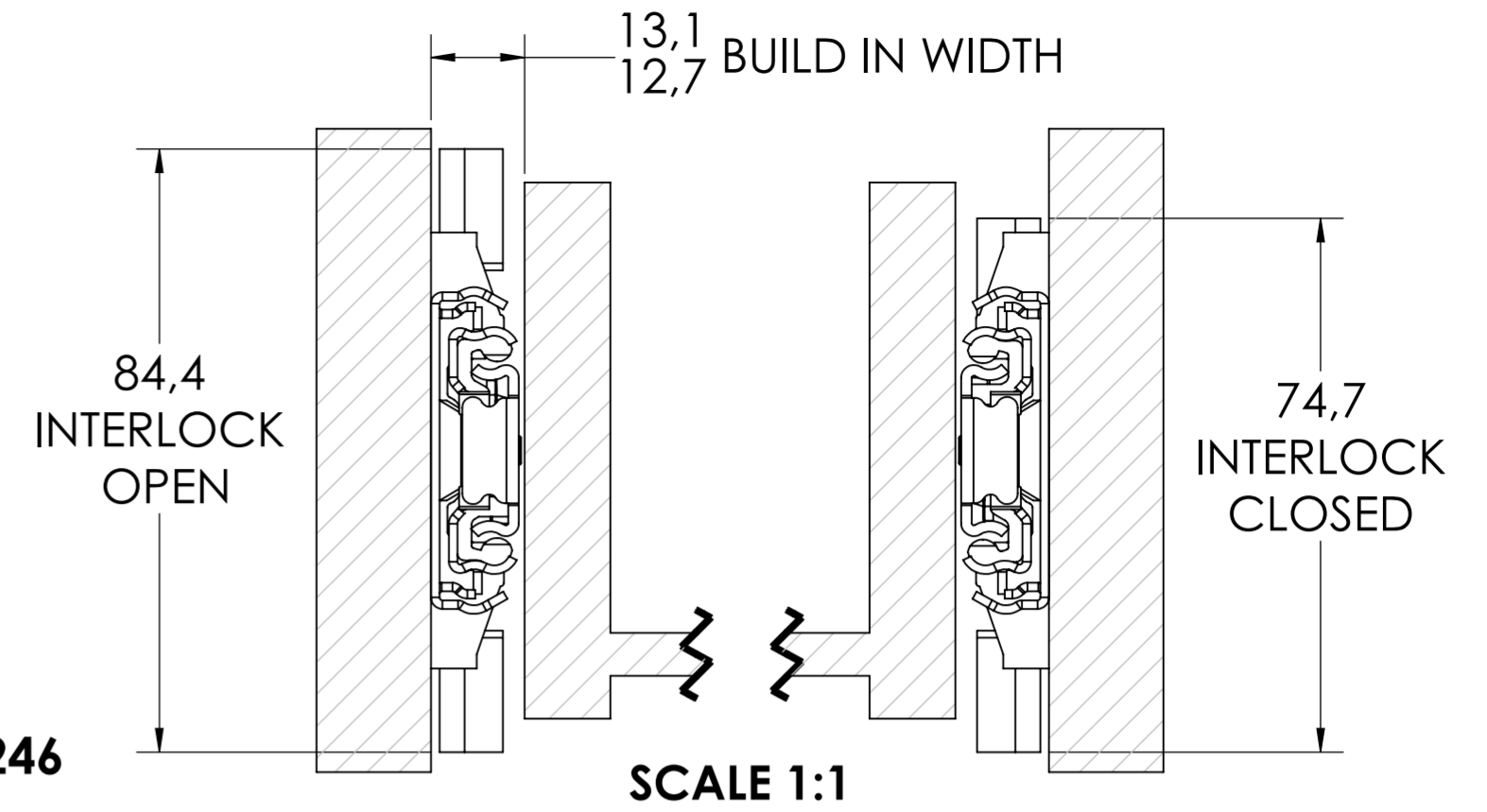
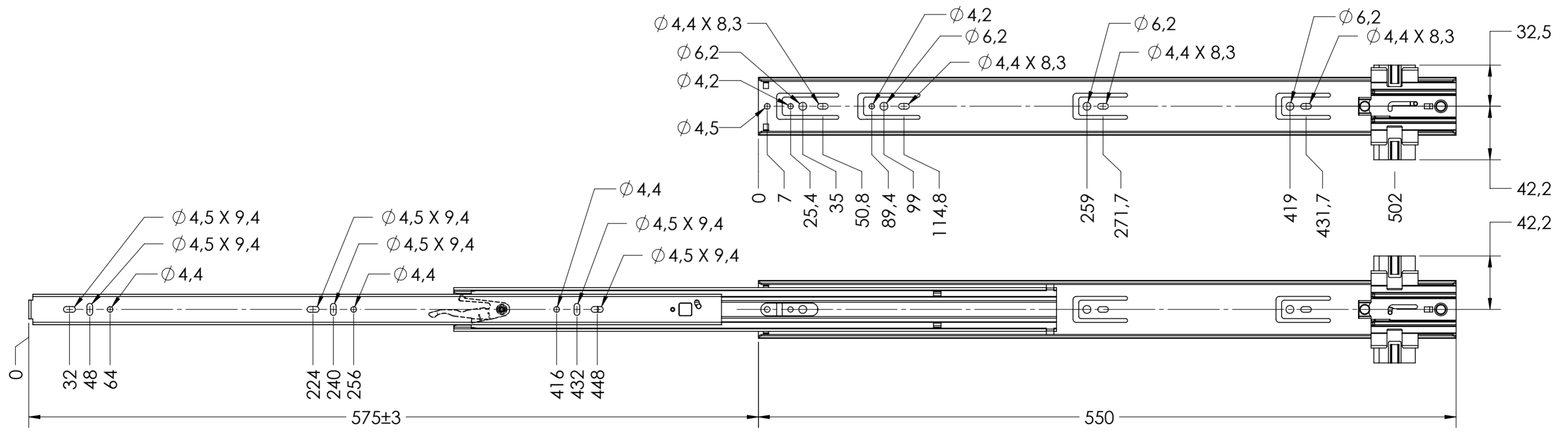


ROD LENGTH  $L^{+0.5} = A-46$   
 $\phi 5\text{mm}$  ROD  
**FULTERER PART NUMBER 400246**

SCALE 1:4  
 NOTE: 450mm LENGTH SHOWN  
 RECOMMENDED MINIMUM DISTANCE BETWEEN SLIDES "A" = 90mm



### CABINET MOUNTING HOLES



### RECOMMENDED HARDWARE:

- CABINET- M4 BUTTON HEAD OR #8 TRUSS HEAD SCREW
- DRAWER- M4 BUTTON HEAD OR #8 TRUSS HEAD SCREW
- INTERLOCK  $\phi 5\text{MM}$  ALUMINUM ROD **FULTERER PART NUMBER: 400246**

general tolerances		DIN ISO 128-30 missing dimensions see 3D = theor. intersection	
ISO 2768-m			
This drawing remains our property and may not be multiplied neither be disclosed to third parties (§§1,3 and 5 from the copyright Act (UrhG)) covered according to DIN ISO 16016			
(k)		scale:	surface:
(l)		3:8	
(m)		date	name
(n)		drawn 21-02-2019	HB
(o)		proven 00-00-0000	00
(p)		<b>Fulterer</b>	
(q)		Fulterer AG & Co KG A-6890 Lustenau / Austria	
(r)		Fulterer AG CH-9430 St. Margrethen	
(s)		drawing number: <b>5019.550-GA.T037</b>	
(t)		replaces version date:	
(u)	0	00-00-0000	0
(v)	ind.	changes	date na.