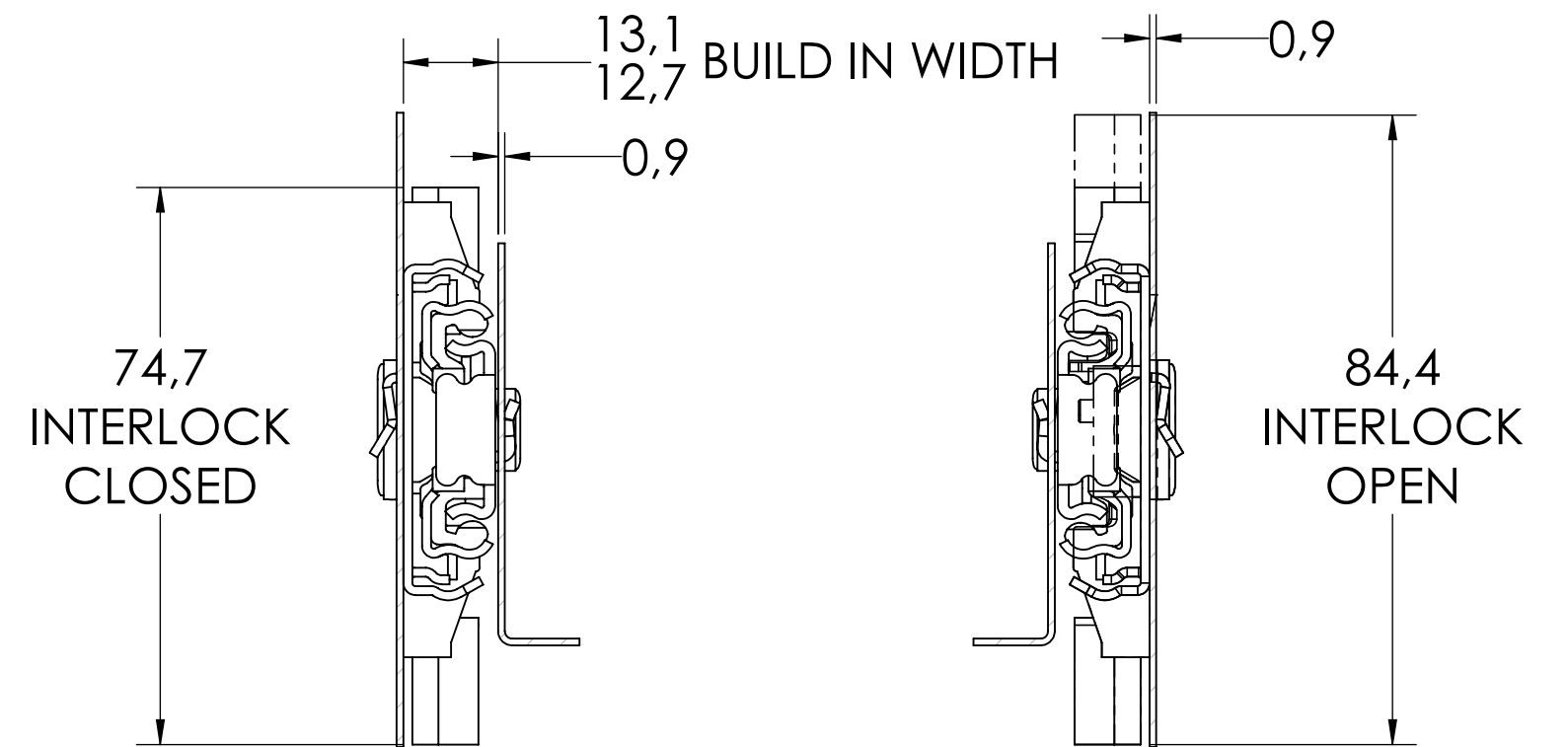


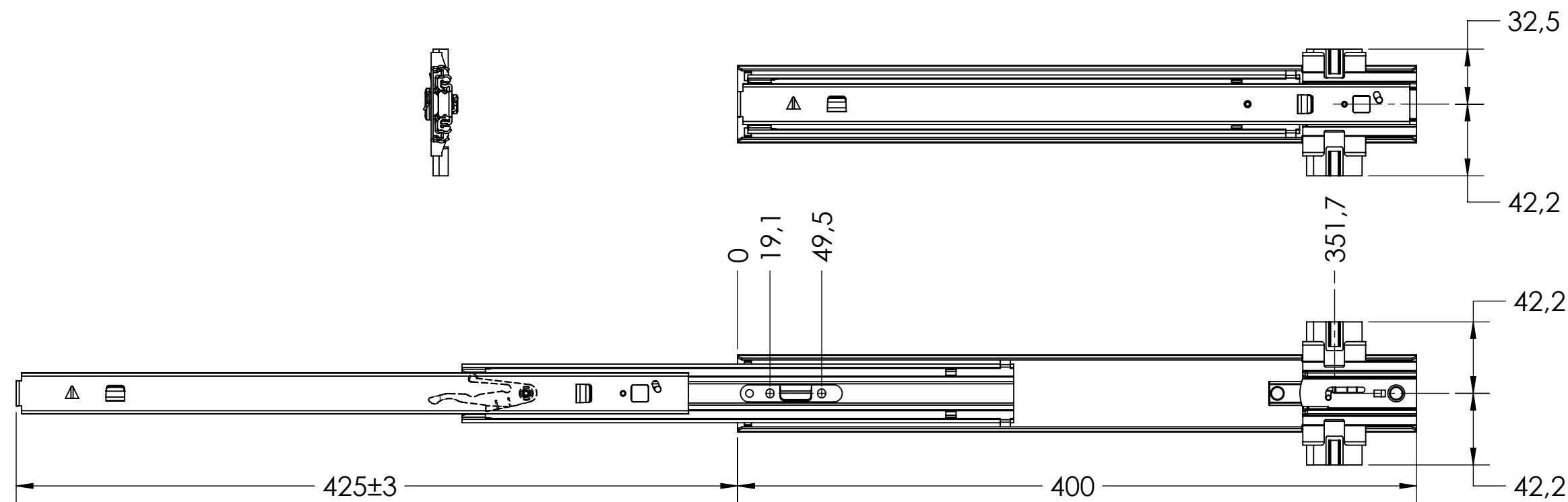
SCALE 1:4  
NOTE: 400MM LENGTH SHOWN

**ROD LENGTH  $L^{+0.5} = A-46$**   
 $\varnothing 5\text{mm}$  ROD  
**FULTERER PART NUMBER 400246**

RECOMMENDED MIN. DISTANCE "A" = 90mm

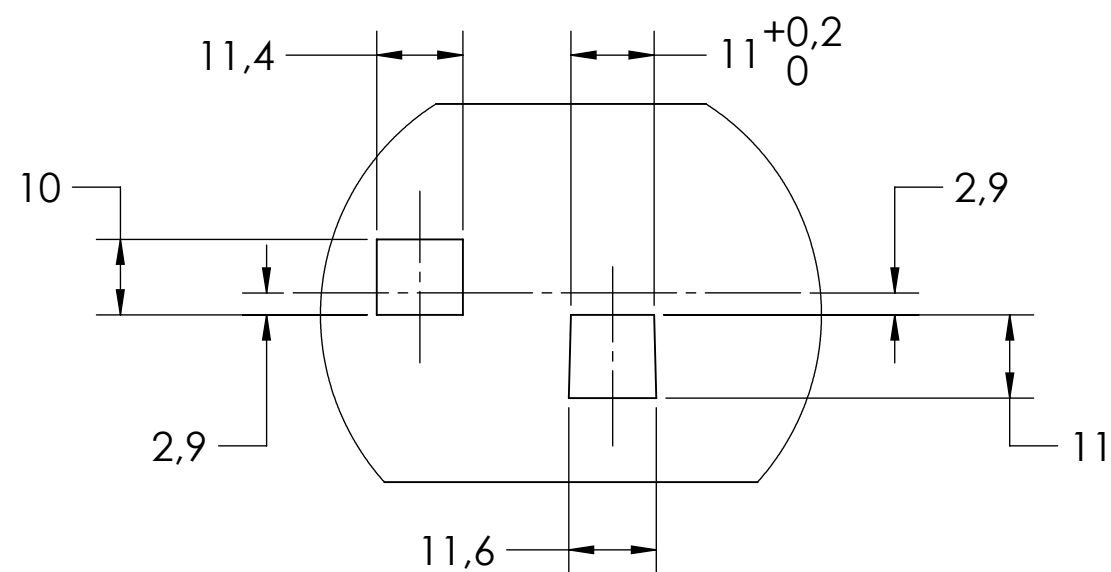
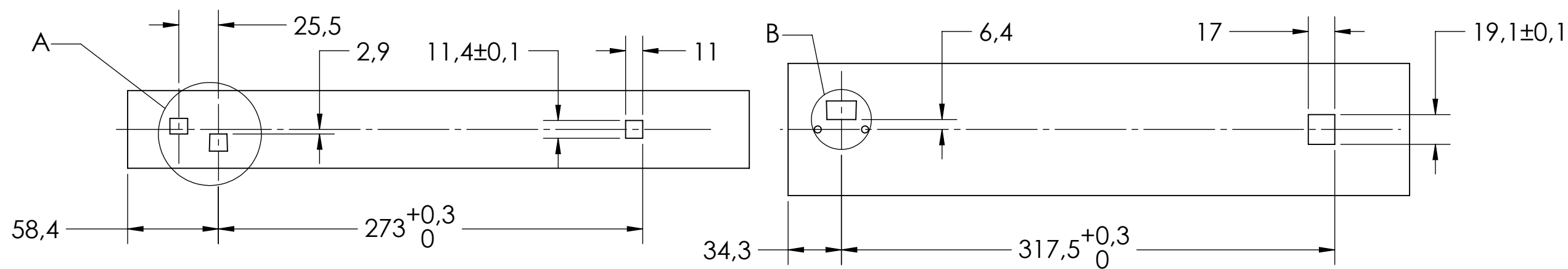


SCALE 1:1



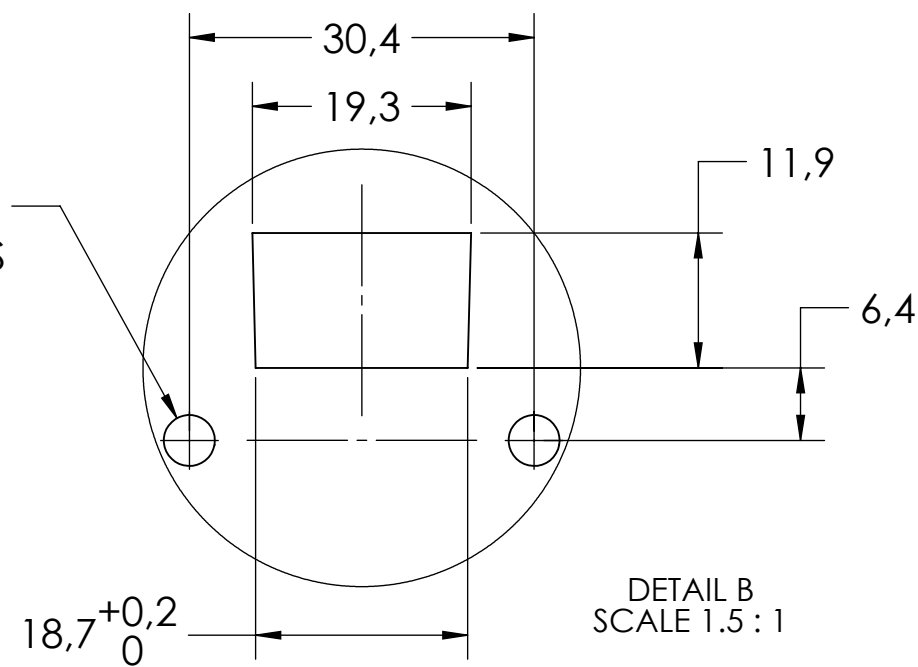
**DRAWER MOUNTING CUTOUTS**

**CABINET MOUNTING CUTOUTS**



DETAIL A  
SCALE 1:1

2X  $\varnothing 4.5$   
OPTIONAL  
FOR RIVETS



DETAIL B  
SCALE 1.5:1

general tolerances		DIN ISO 128-30 missing dimensions see 3D = theor. intersection	
ISO 2768-m			
This drawing remains our property and may not be multiplied neither be disclosed to third parties (§§1,3 and 5 from the copyright Act (UrhG)) covered according to DIN ISO 16016			
(k)	scale:	1:3	surface:
(l)	date:	29-07-2019	name:
(m)	drawn:	HB	
(n)	proven:	00-00-0000	00
(o)	<b>Fulterer</b>		material, semi finished parts:
(p)			STEEL
(q)	Fulterer AG & Co KG A-6890 Lustenau / Austria		(technical requirements Fulterer)
(r)	Fulterer AG CH-9430 St. Margrethen		description:
(s)	00-00-0000		SIDE MOUNT OVER EXTENSION SMT (0.9) INTERLOCKING SLIDE WITH DRAWER DISCONNECT
(t)	0		drawing number:
(u)	00-00-0000		<b>5019.400-GA.T119</b>
(v)	0		replaces version date:
(w)	ind. changes	date	na.