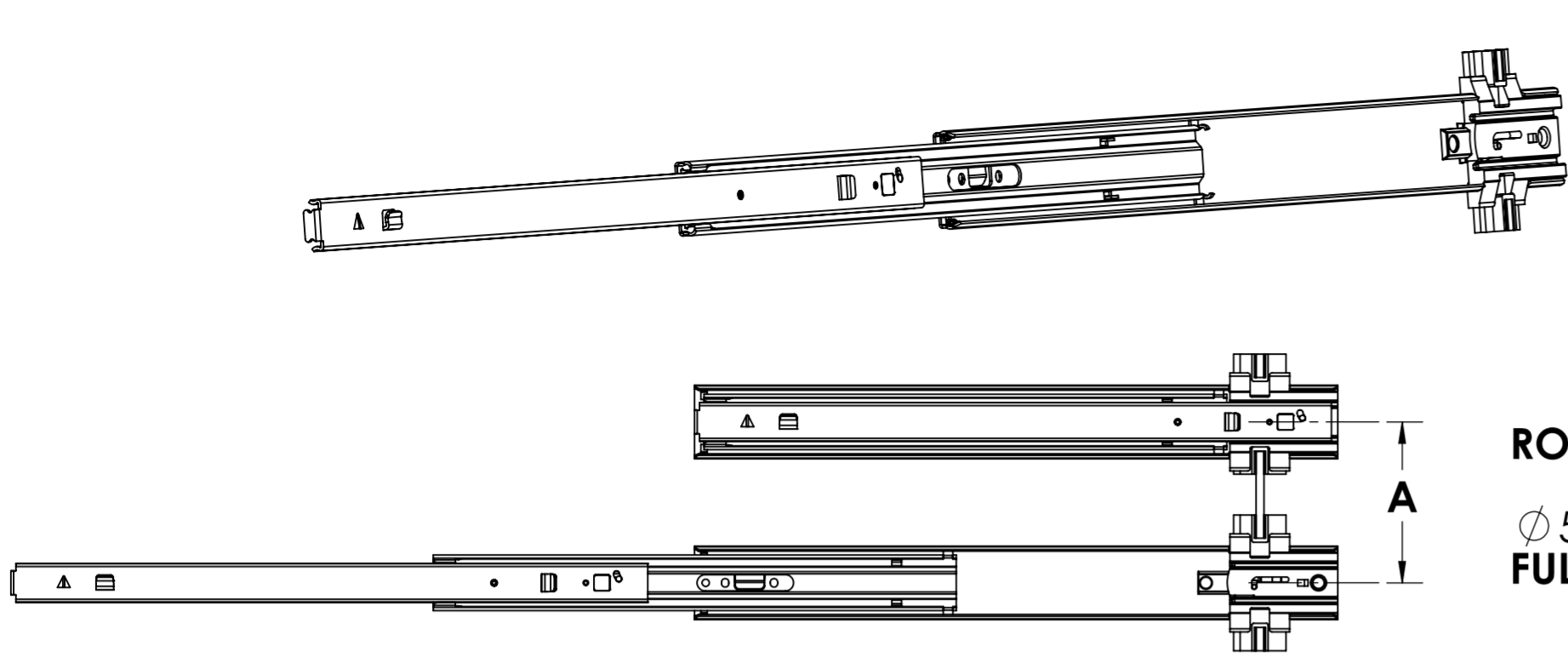


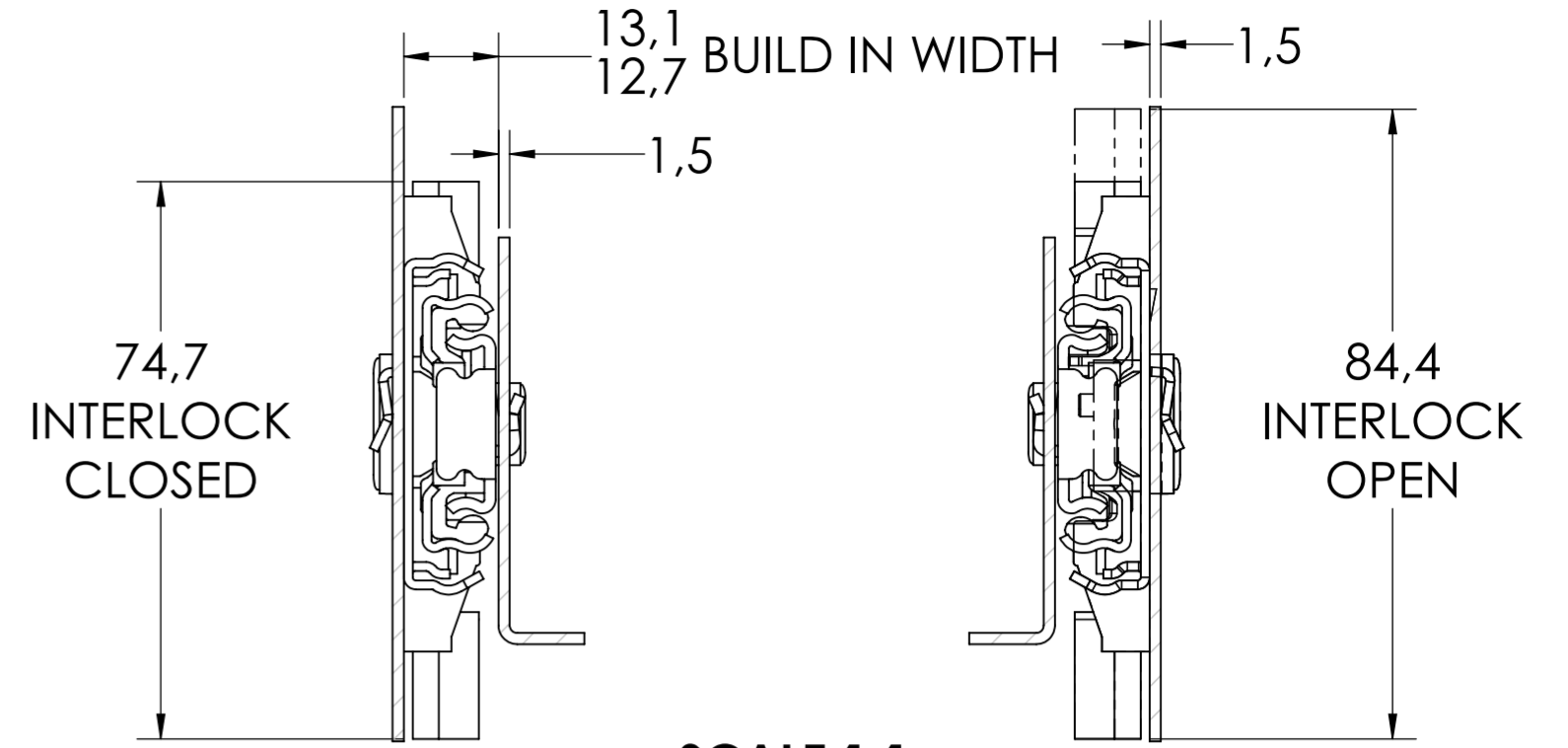
5019.500-GA.T120

X



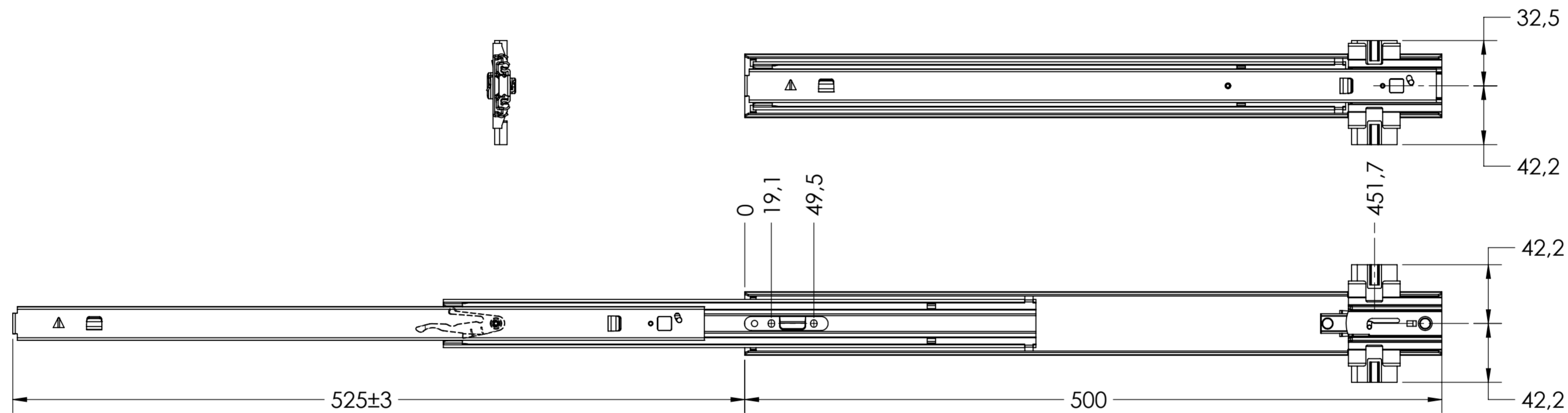
ROD LENGTH $L^{+0.5} = A-46$
 $\varnothing 5\text{mm}$ ROD
FULTERER PART NUMBER 400246

RECOMMENDED MIN. DISTANCE "A" = 90mm

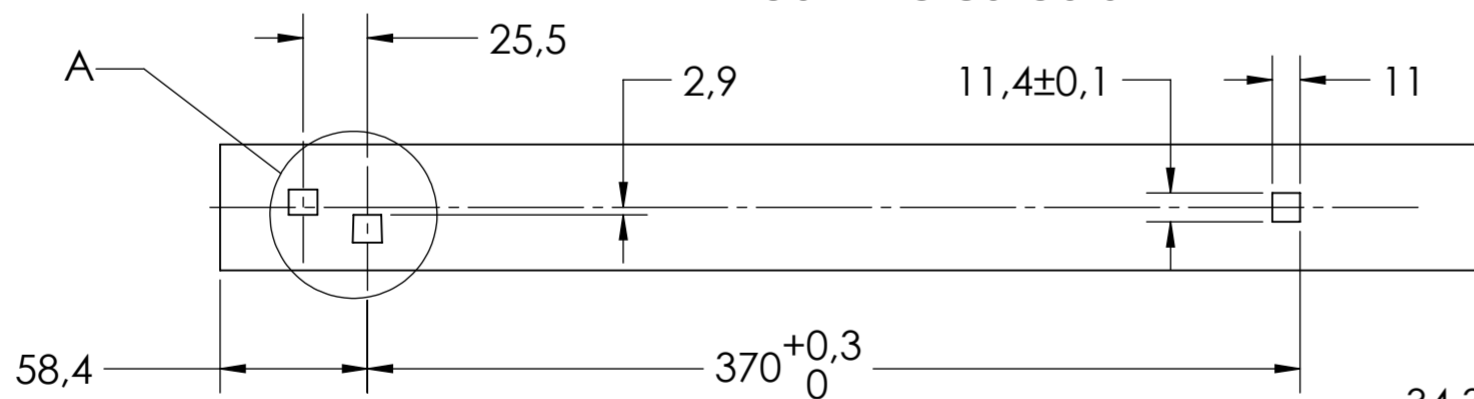


SCALE 1:1

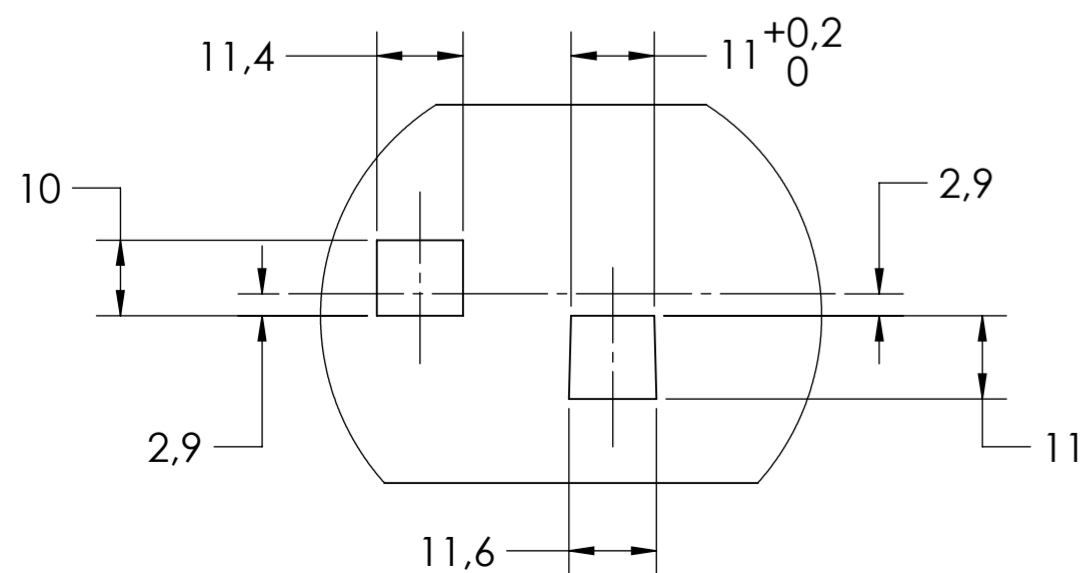
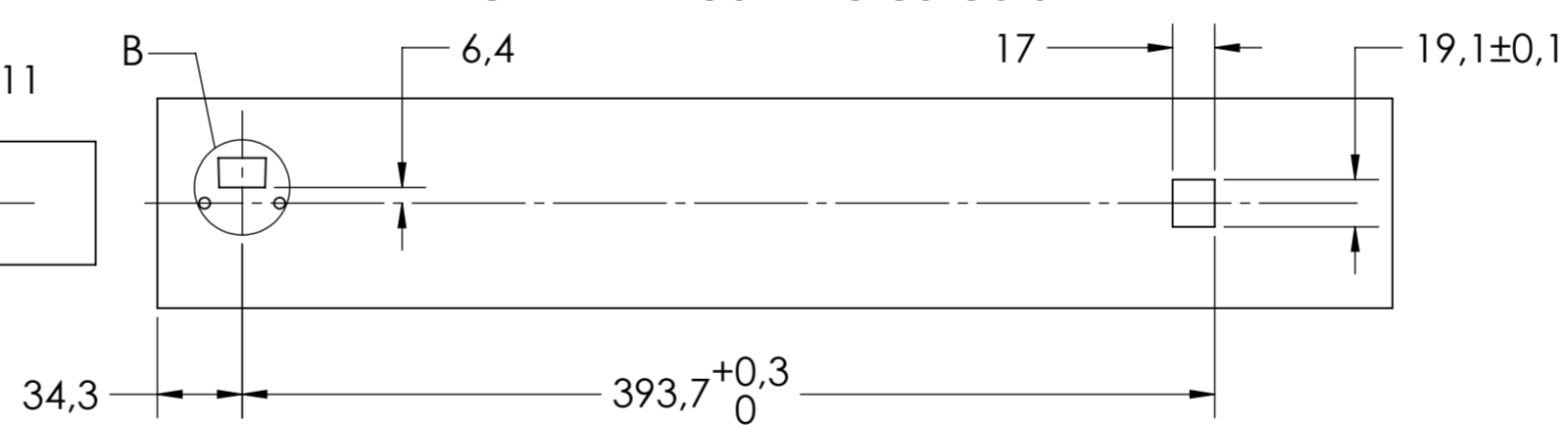
SCALE 1:4
 NOTE: 400MM LENGTH SHOWN



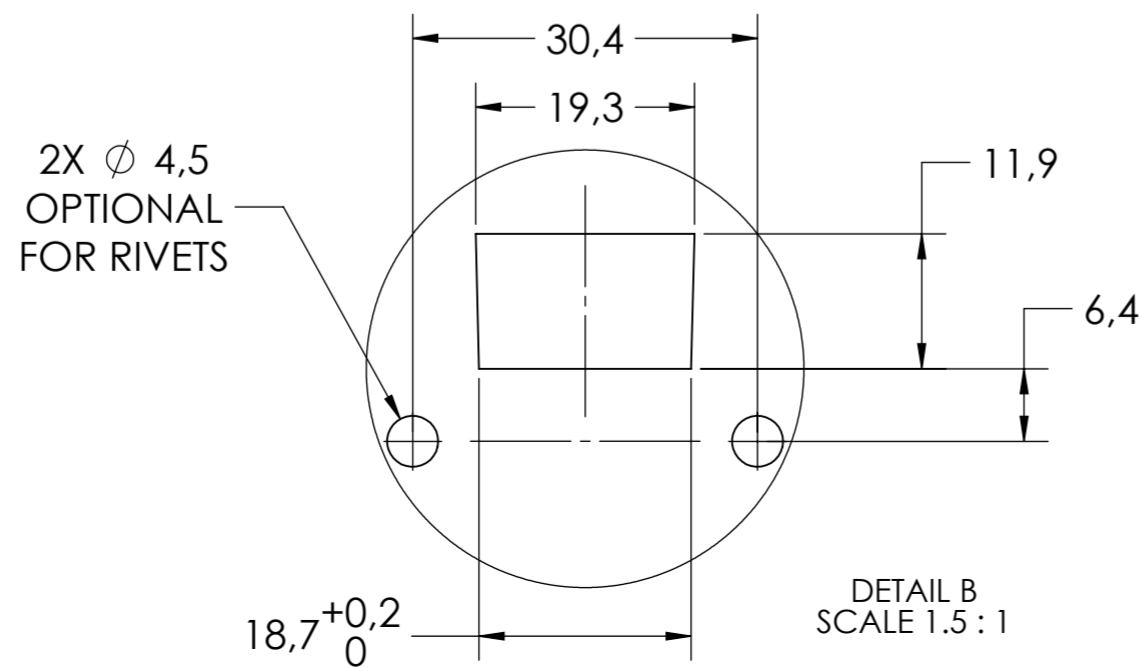
DRAWER MOUNTING CUTOUTS



CABINET MOUNTING CUTOUTS



DETAIL A
 SCALE 1:1



DETAIL B
 SCALE 1.5:1

general tolerances		DIN ISO 128-30 missing dimensions see 3D = theor. intersection	
ISO 2768-m			
This drawing remains our property and may not be multiplied neither be disclosed to third parties (§§1,3 and 5 from the copyright Act (UrhG)) covered according to DIN ISO 16016			
(k)	scale:	1:3	surface:
(l)	date:	05-06-2019	name:
(m)	drawn:	HB	
(n)	proven:	00-00-0000	00
(o)	Fulterer		material, semi finished parts:
(p)			STEEL
(q)			(technical requirements Fulterer)
(r)			description:
(s)			SIDE MOUNT OVER EXTENSION
(t)			SMT (1.5) INTERLOCKING SLIDE
(u)			WITH DRAWER DISCONNECT
(v)			drawing number:
(w)			5019.500-GA.T120
(x)			replaces version date:
(y)	ind.	changes	date
(z)			na.