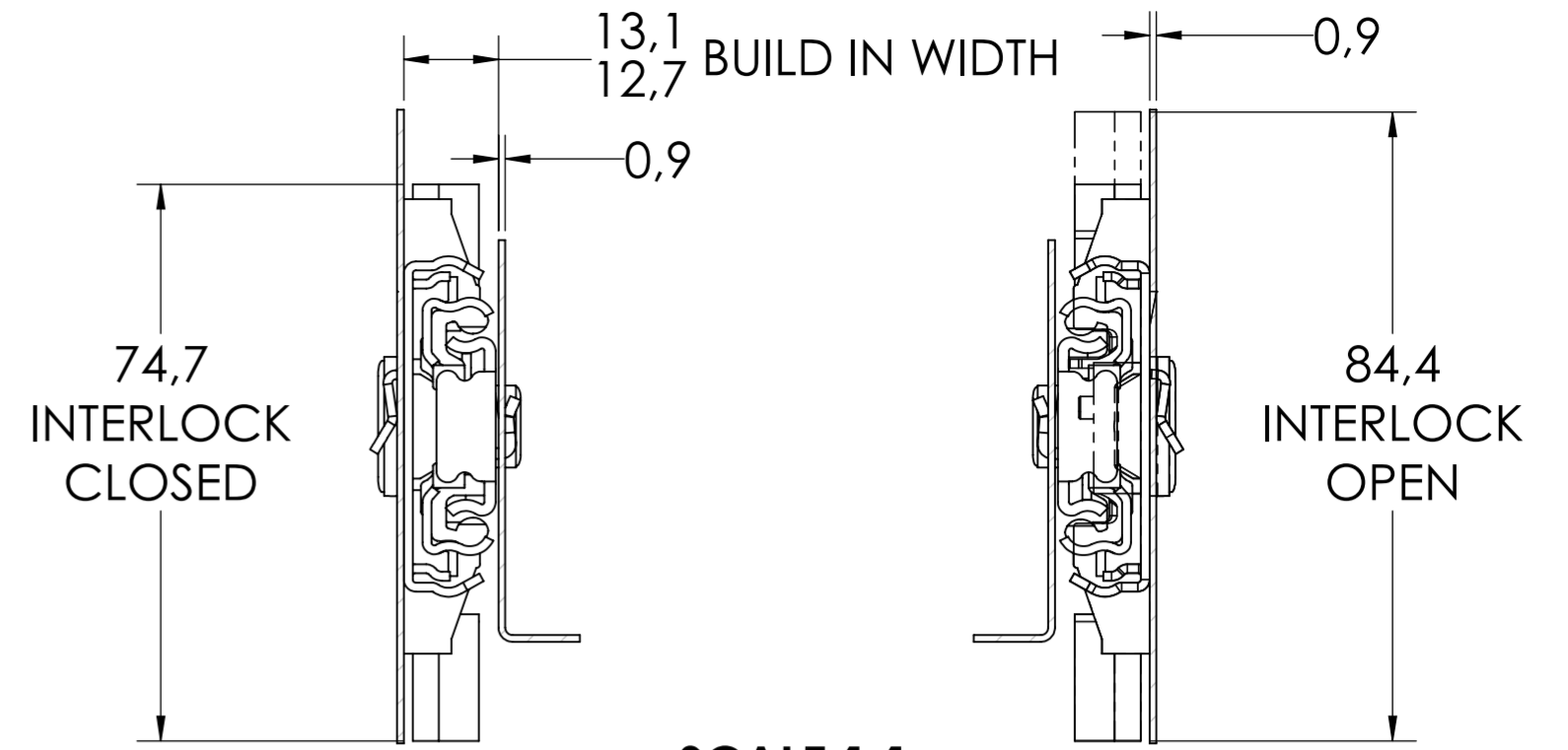


ROD LENGTH $L^{+0.5} = A-46$
 $\varnothing 5\text{mm}$ ROD
FULTERER PART NUMBER 400246

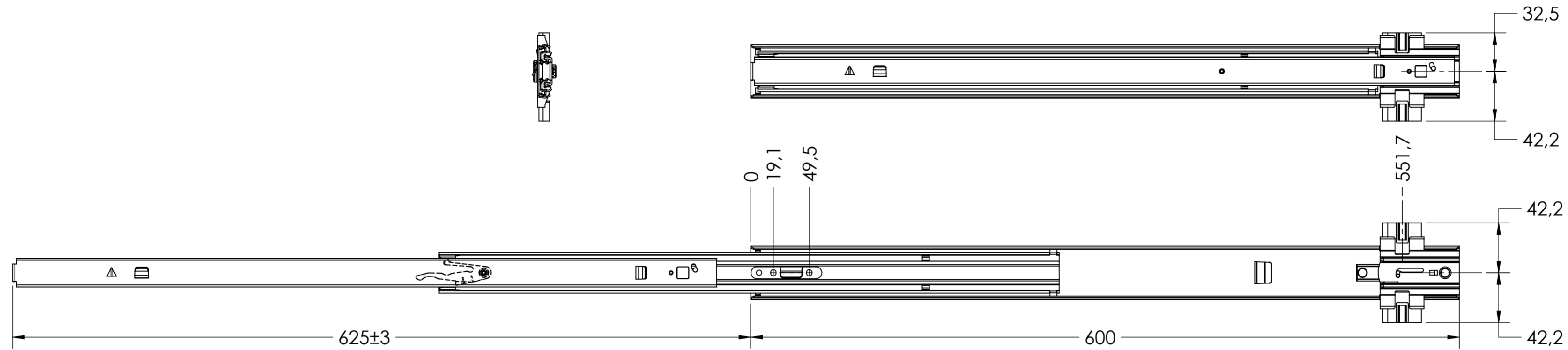


SCALE 1:1

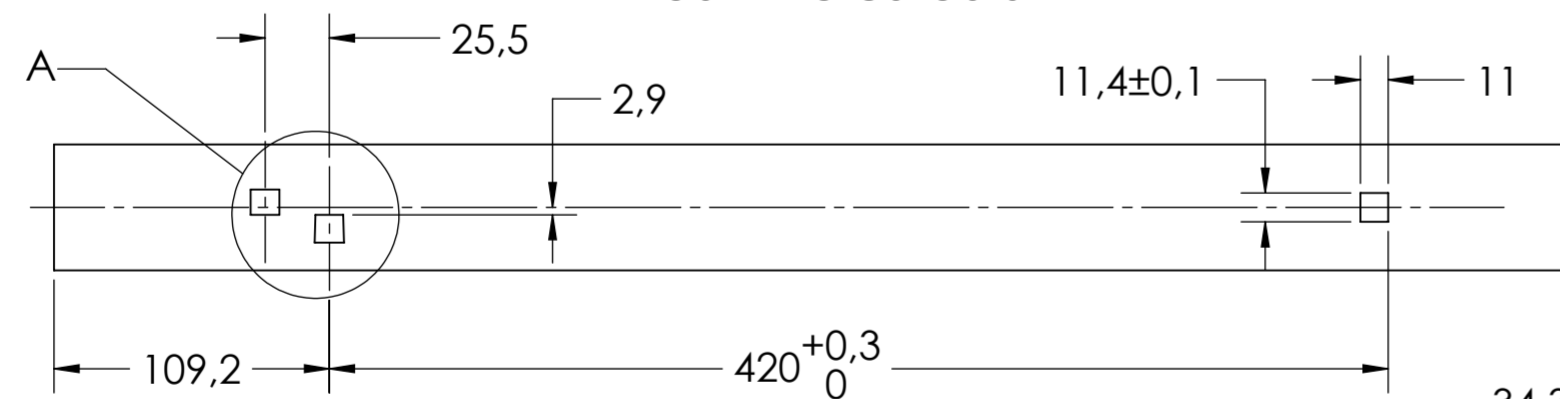
X

SCALE 1:4
 NOTE: 400MM LENGTH SHOWN

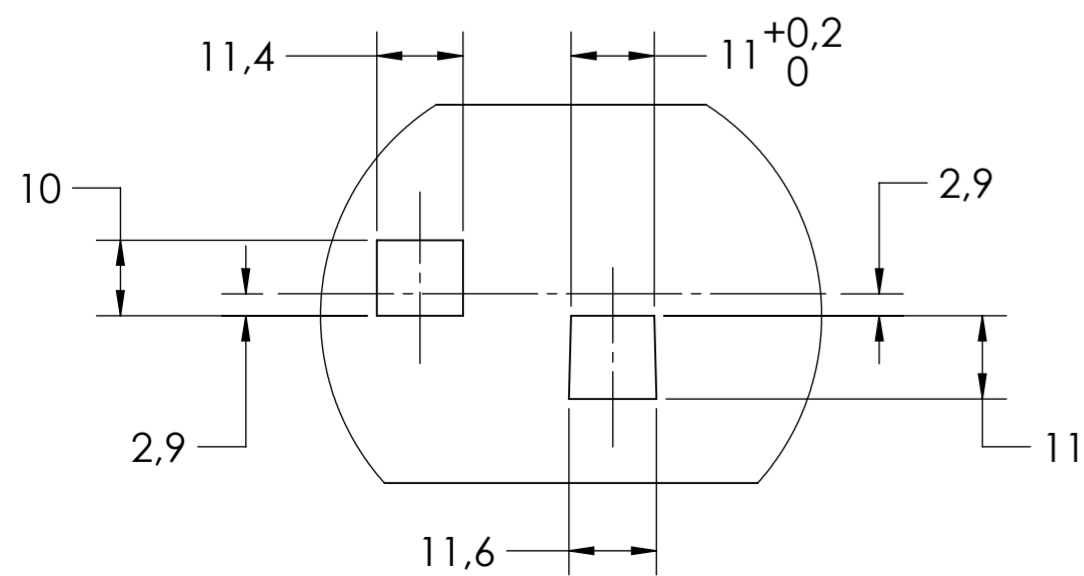
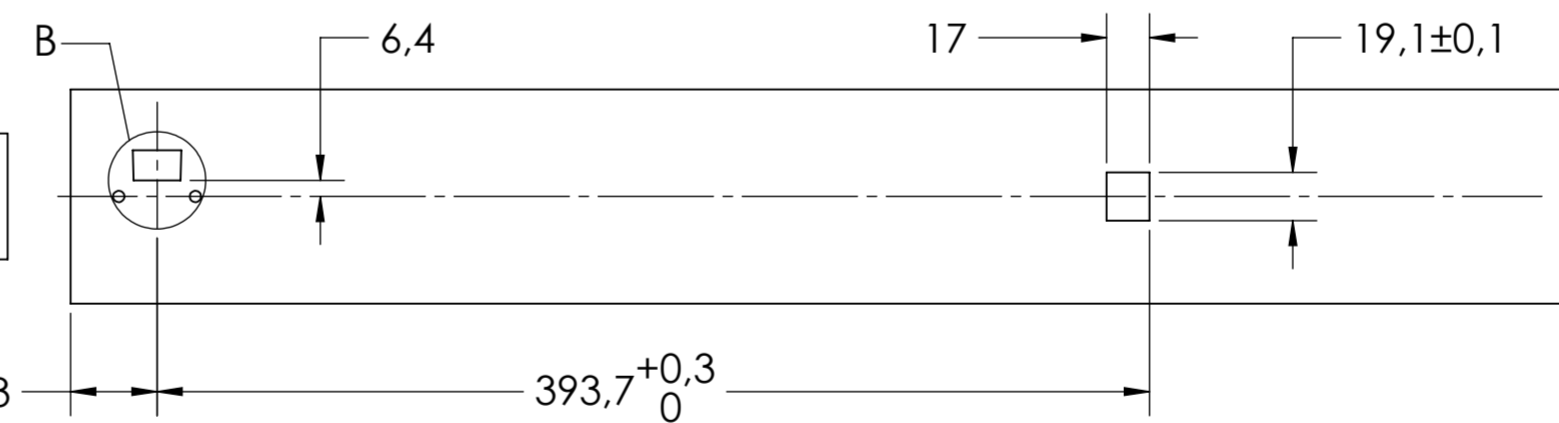
RECOMMENDED MIN. DISTANCE "A" = 90mm



DRAWER MOUNTING CUTOUTS

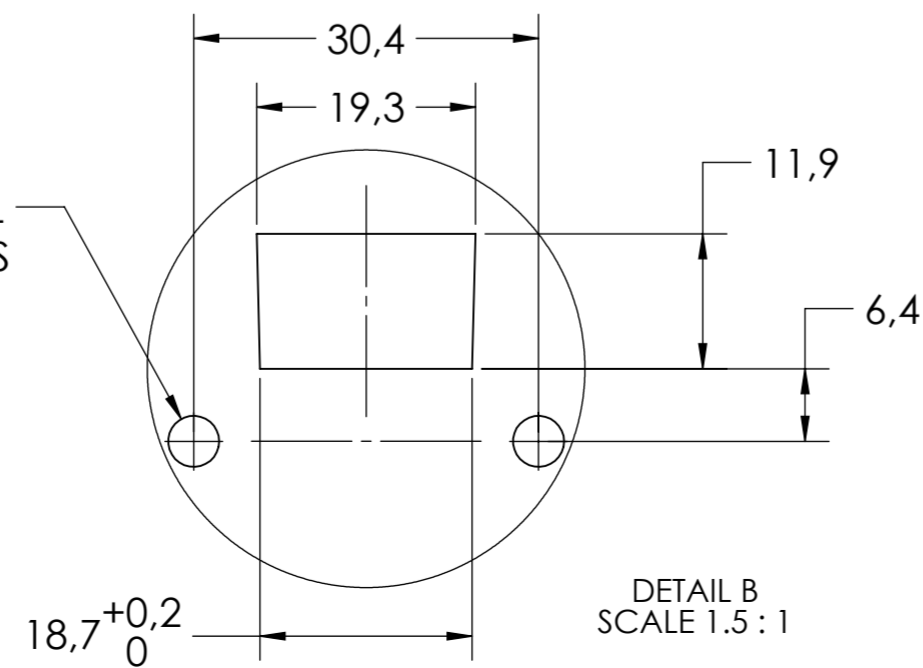


CABINET MOUNTING CUTOUTS



DETAIL A
 SCALE 1:1

2X $\varnothing 4.5$
 OPTIONAL
 FOR RIVETS



DETAIL B
 SCALE 1.5:1

general tolerances		DIN ISO 128-30 missing dimensions see 3D = theor. intersection	
ISO 2768-m			
This drawing remains our property and may not be multiplied neither be disclosed to third parties (§§1,3 and 5 from the copyright Act (UrhG)) covered according to DIN ISO 16016			
(k)	scale:	1:3	surface:
(l)	date:	29-07-2019	name:
(m)	drawn:	HB	description:
(n)	proven:	00-00-0000	00
(o)	Fulterer		material, semi finished parts: STEEL (technical requirements Fulterer)
(p)			
(q)	Fulterer AG & Co KG A-6890 Lustenau / Austria		replaces version date:
(r)	Fulterer AG CH-9430 St. Margrethen		
(s)	ind. changes	date	na.