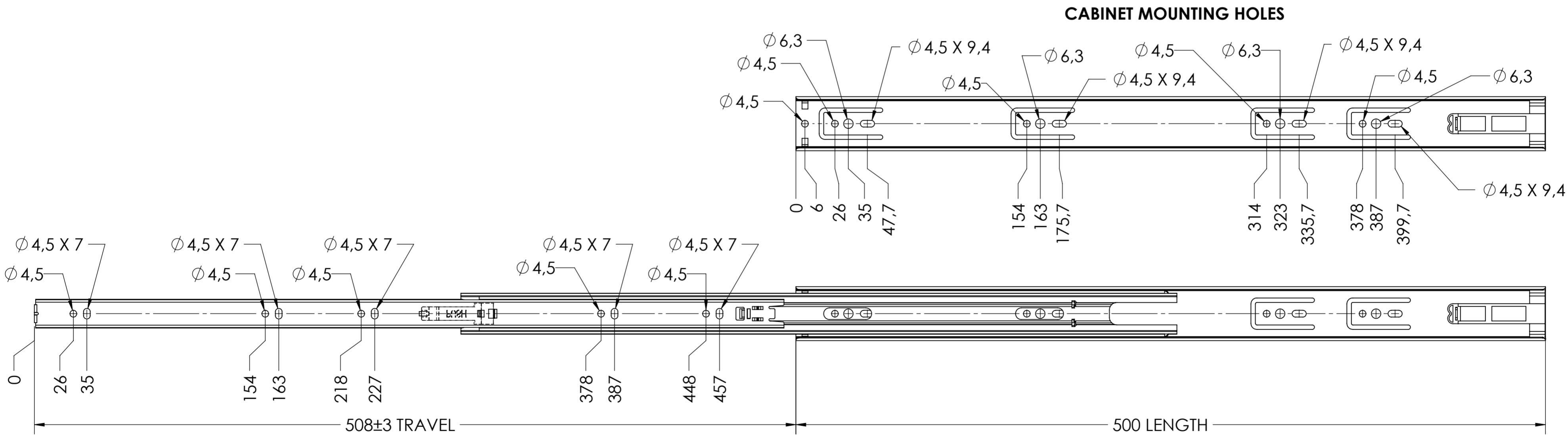
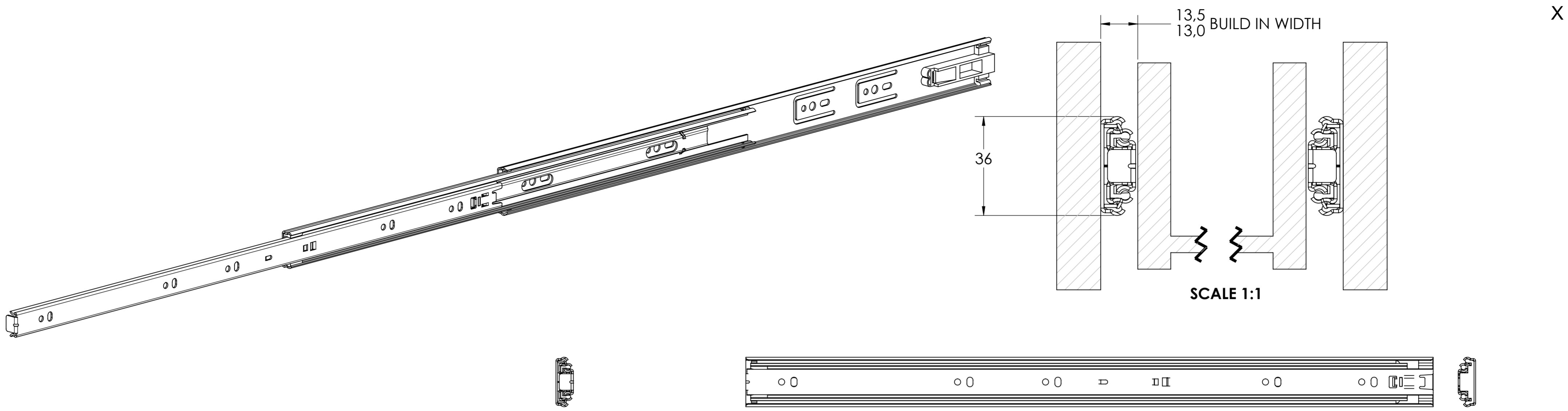


5036.500-GA.T010 5036.500-GA.T010



RECOMMENDED HARDWARE:
 CABINET- M4 BUTTON HEAD OR #8 TRUSS HEAD SCREW
 DRAWER- M4 BUTTON HEAD OR #8 TRUSS HEAD SCREW

general tolerances		missing dimensions see 3D = theor. intersection	
ISO 2768-m			
This drawing remains our property and may not be multiplied neither be disclosed to third parties (§§1,3 and 5 from the copyright Act (UrhG)) covered according to DIN ISO 16016			
(k)	scale:	surface:	material, semi finished parts:
(l)	1:21:2		STEEL
(m)	date	name	(technical requirements Fulterer)
(n)	drawn 23-10-2018	HB	description: SIDE MOUNT FULL EXTENSION SIDE MOUNT FULL EXTENSION SELF-CLOSING DRAWER SLIDE
(o)	proven 00-00-0000	00	
(p)	Fulterer		drawing number: 5036.500-GA.T010
(q)			
(r)	Fulterer AG CH-9430 St. Margrethen		replaces version date:
(s)	ind. changes	date	na.