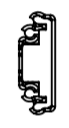
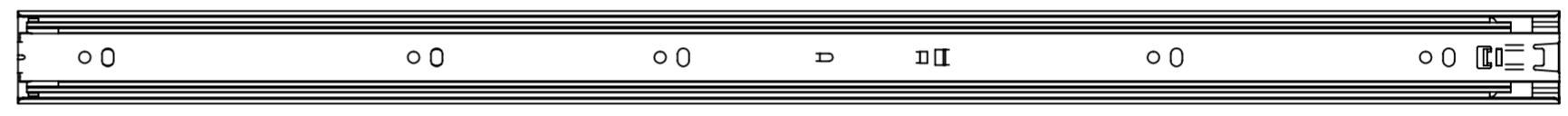
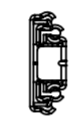
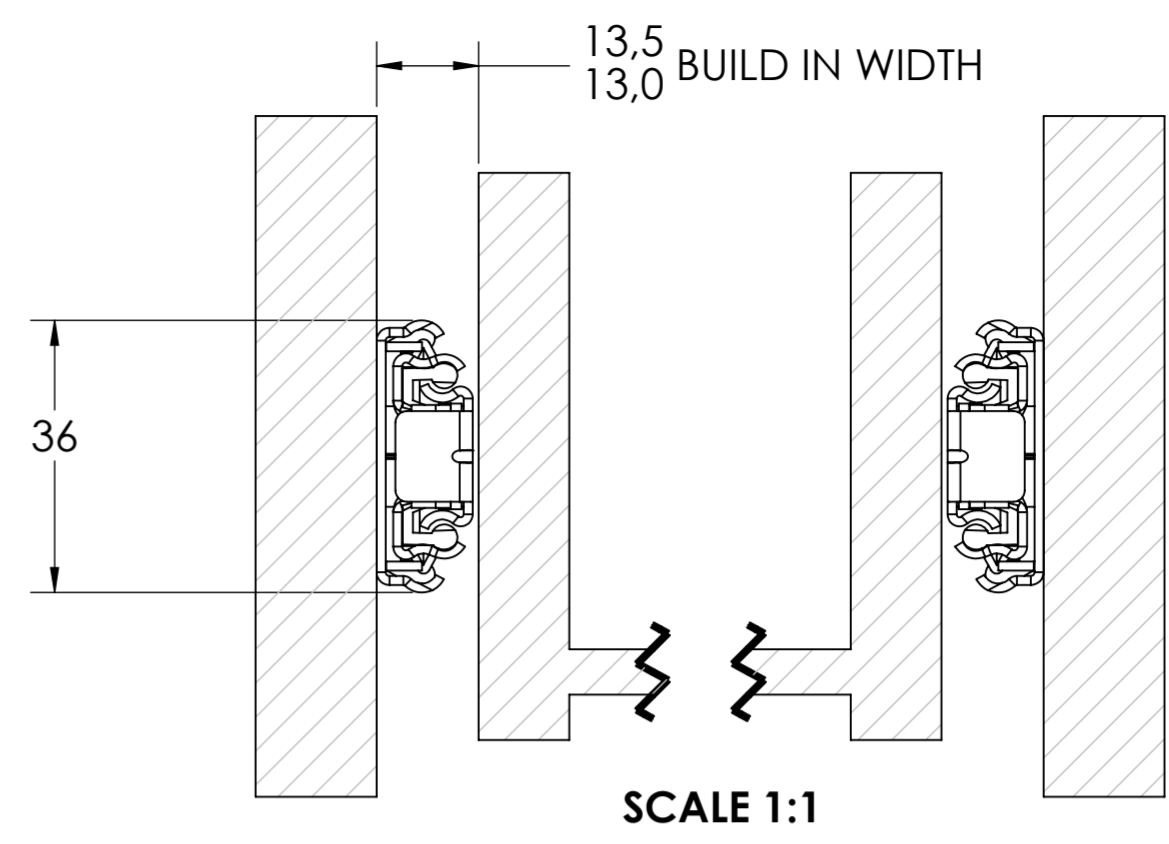
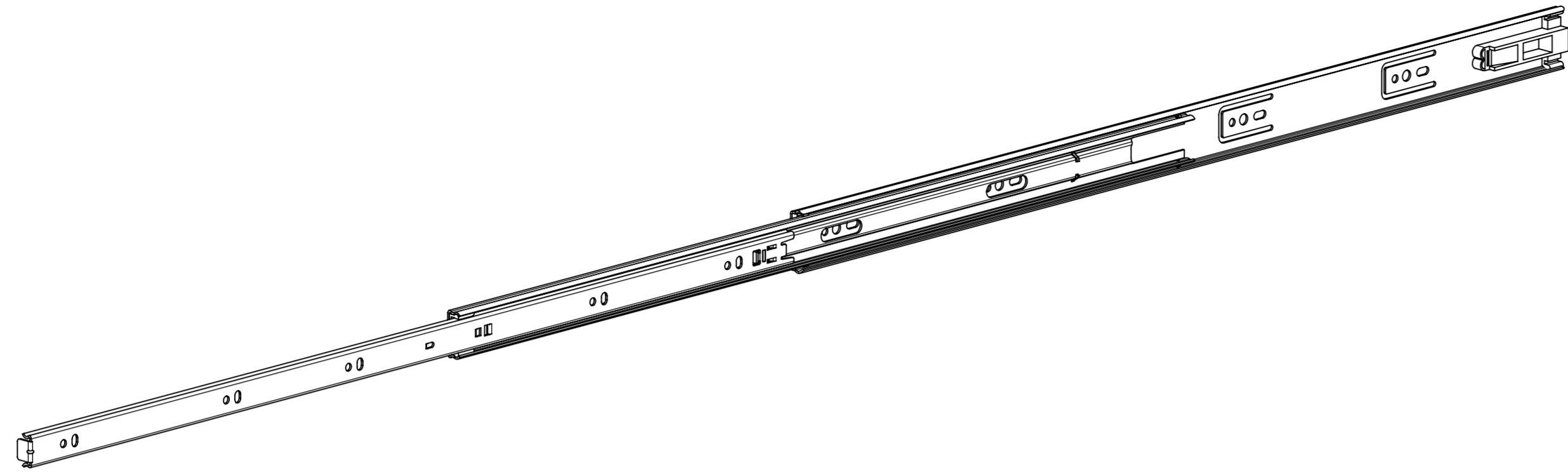
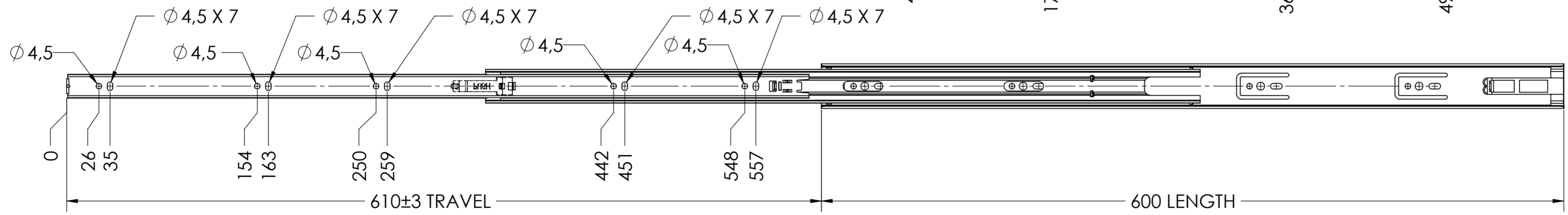
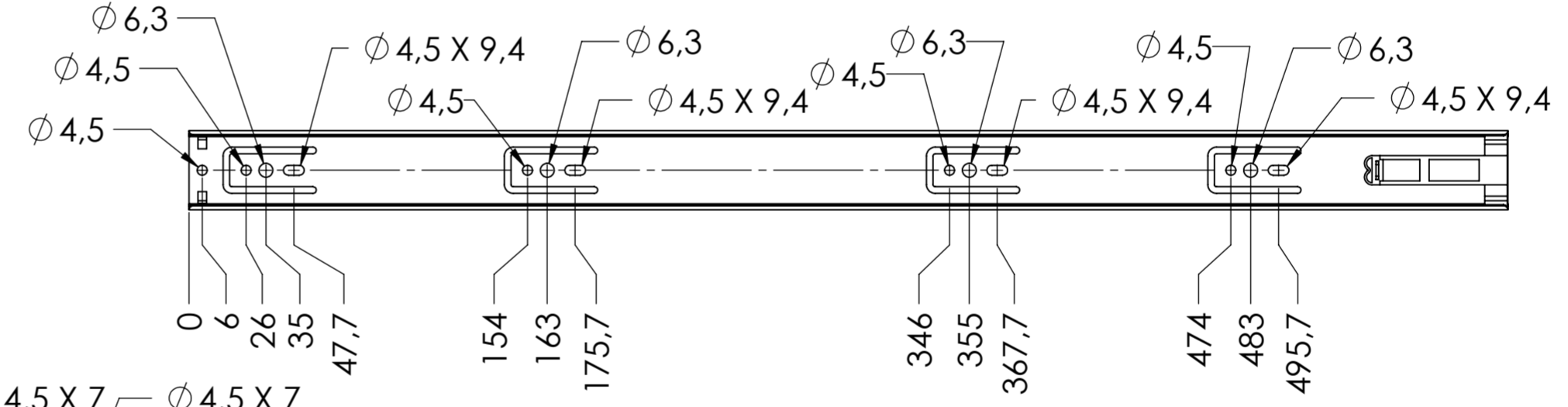


5036.600-GA.T010 5036.600-GA.T010



CABINET MOUNTING HOLES



RECOMMENDED HARDWARE:
CABINET- M4 BUTTON HEAD OR #8 TRUSS HEAD SCREW
DRAWER- M4 BUTTON HEAD OR #8 TRUSS HEAD SCREW

general tolerances		missing dimensions see 3D = theor. intersection	
ISO 2768-m			
This drawing remains our property and may not be multiplied neither be disclosed to third parties (§§1,3 and 5 from the copyright Act (UrhG)) covered according to DIN ISO 16016			
(k)	scale:	3:83:8	surface:
(l)	date	23-10-2018	name
(m)	drawn	HB	description:
(n)	proven	00-00-0000	00
(o)	Fulterer		STEEL (technical requirements Fulterer)
(p)			description: SIDE MOUNT FULL EXTENSION SIDE MOUNT FULL EXTENSION SELF-CLOSING DRAWER SLIDE
(q)	Fulterer AG & Co KG A-6890 Lustenau / Austria		drawing number:
(r)	Fulterer AG CH-9430 St. Margrethen		5036.600-GA.T010
(s)	changes	date	replaces version date:
(t)			