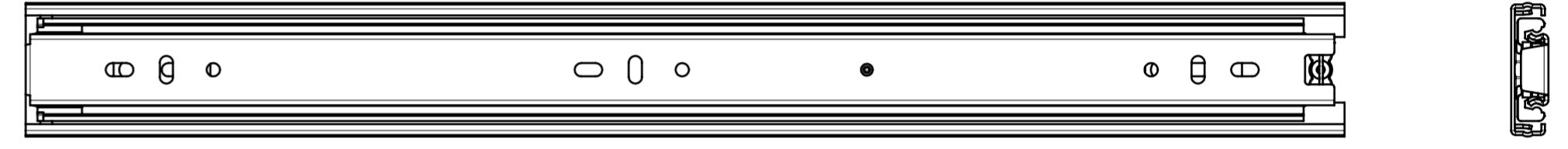
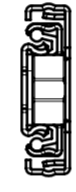
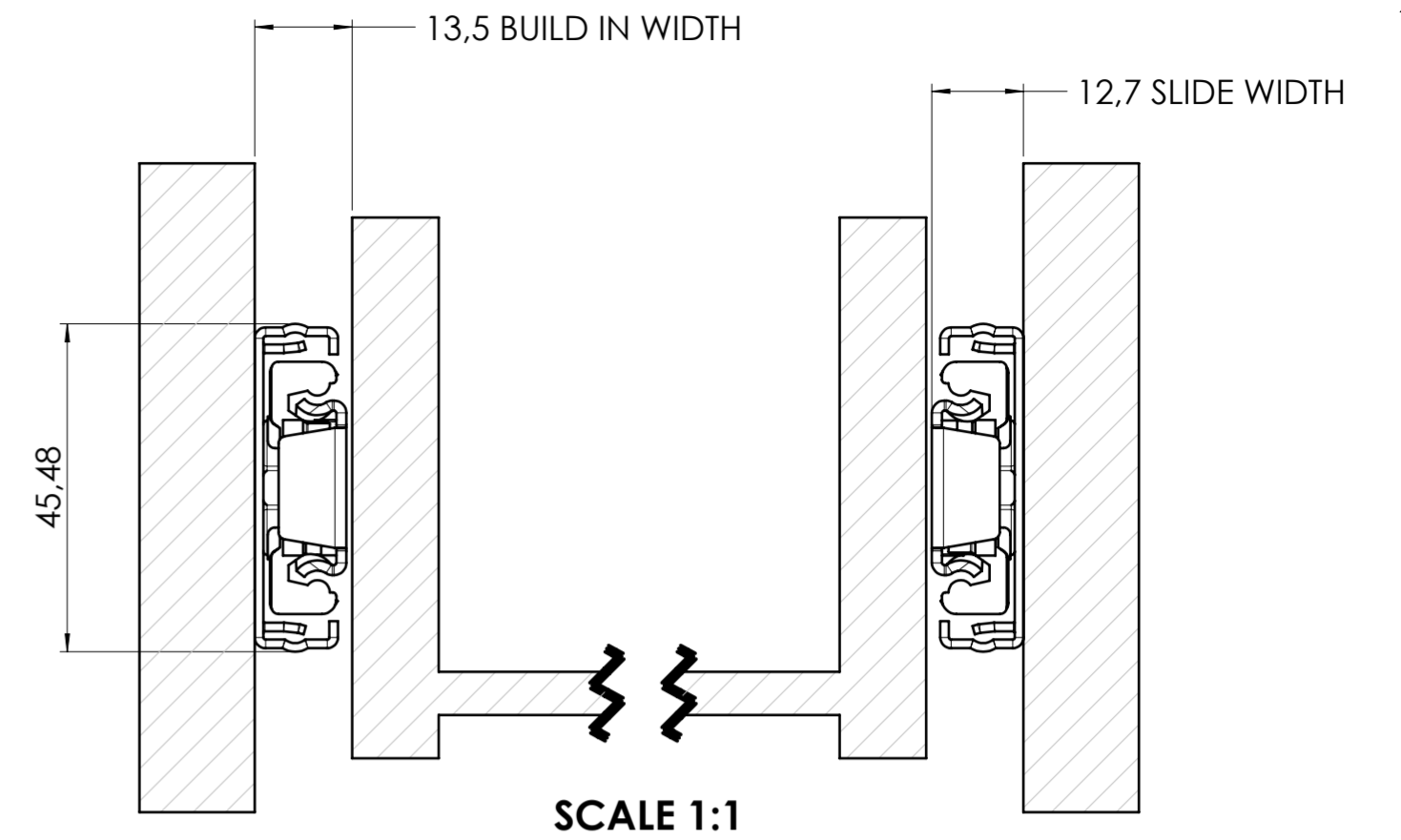
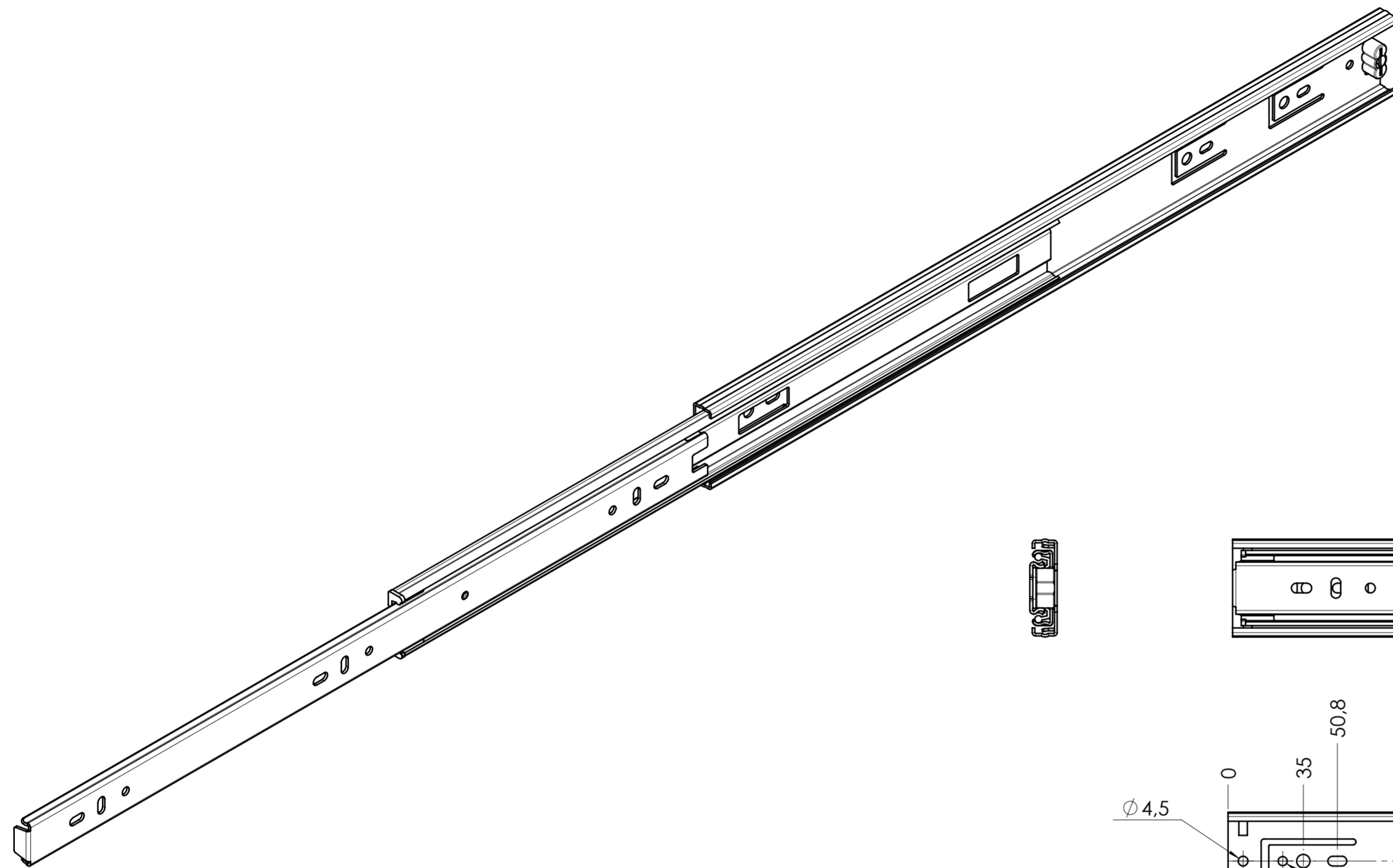
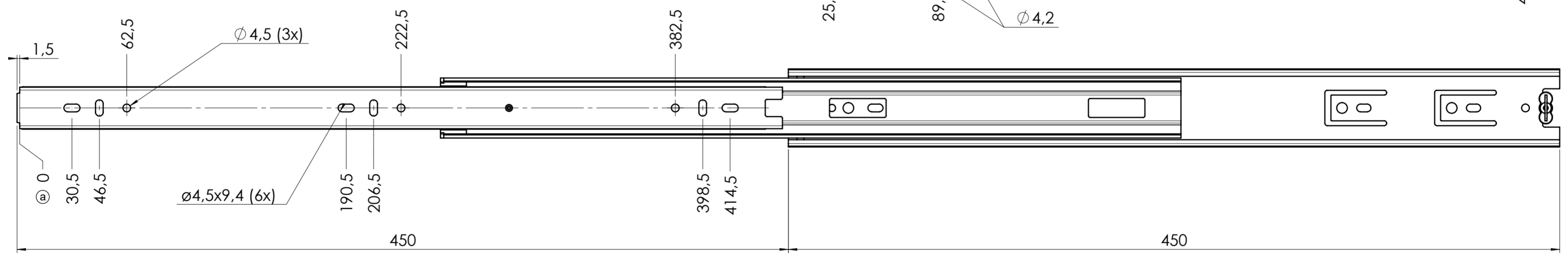
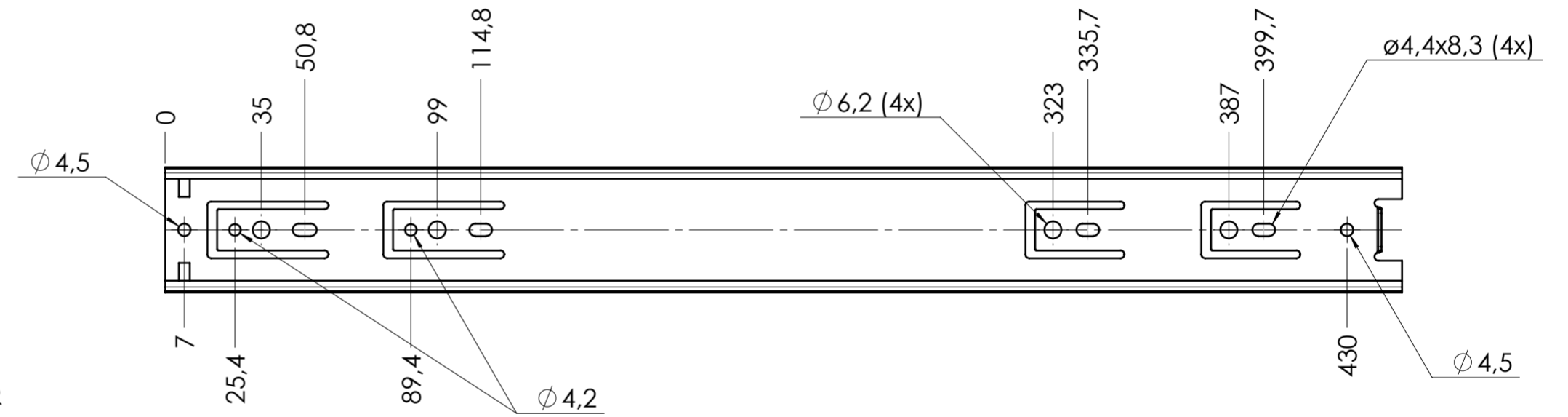


5046.450-GA.C200A

X



CABINET MOUNTING HOLES



RECOMMENDED HARDWARE:
 CABINET- 3.5mm SPAX M4 BUTTON HEAD OR #8 TRUSS HEAD SCREW
 DRAWER- 3.5mm SPAX M4 BUTTON HEAD OR #8 TRUSS HEAD SCREW

general tolerances		stamping part according Fulterer W18-001		plastic part according DIN ISO 16742 TG4		DIN ISO 128-30 missing dimensions see 3D = theor. intersection	
This drawing remains our property and may not be multiplied neither be disclosed to third parties (§§1,3 and 5 from the copyright Act (UrhG)) covered according to DIN ISO 16016							
(k)				scale:	1:2	surface:	material, semi finished parts: Steel
(l)				date	12-05-2021	name	(technical requirements Fulterer)
(m)				drawn	MW		description: SIDE MOUNT FULL EXTENSION DRAWER SLIDE WITH DRAWER DISCONNECT
(n)				proven	00-00-0000	00	
(o)				Fulterer		drawing number: 5046.450-GA.C200A	
(p)						drawing number: 5046.450-GA.C200A	
(q)				Fulterer AG & Co KG A-6890 Lustenau / Austria		replaces version date:	
(r)				Fulterer AG CH-9430 St. Margrethen			
(s)	adj. dimensional reference	23-11-2022	BM				
(t)	changes	date	na.				