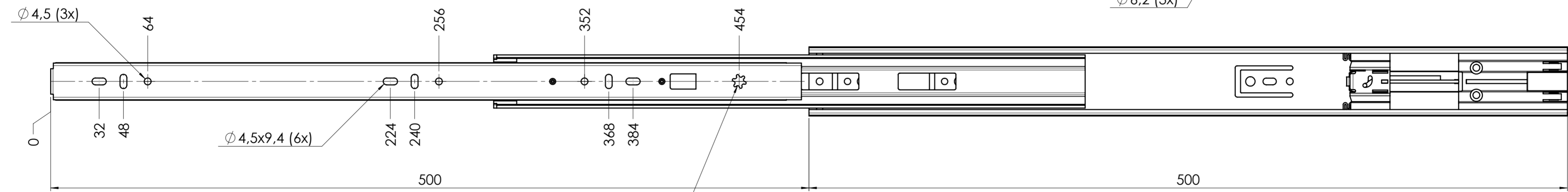
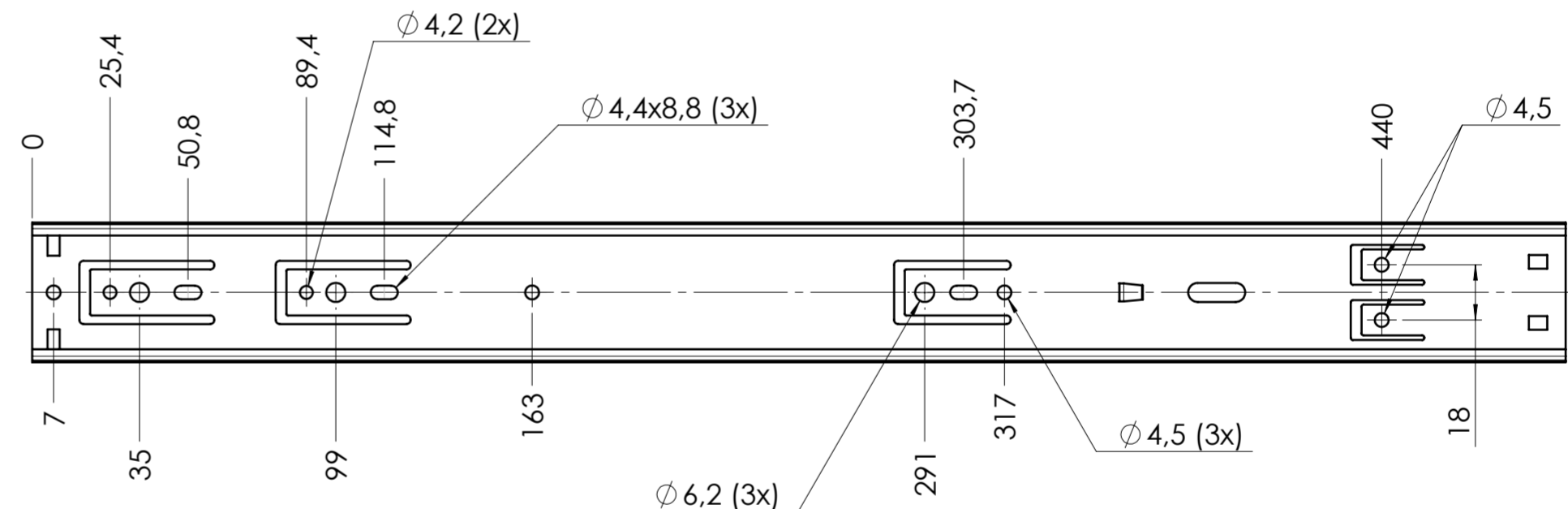


### CABINET MOUNTING HOLES



∅ 5,8 THRU OPPOSITE SIDE FOR FLAT HEAD SCREWS

RECOMMENDED HARDWARE:  
 CABINET- 3.5mm SPAX M4 BUTTON HEAD OR #8 TRUSS HEAD SCREW  
 DRAWER- 3.5mm SPAX M4 BUTTON HEAD OR #8 TRUSS HEAD SCREW

general tolerances		DIN ISO 128-30	
stamping part according Fulterer W18-001	plastic part according DIN ISO 16742 TG4	missing dimensions see 3D = theor. intersection	
This drawing remains our property and may not be multiplied neither be disclosed to third parties (§§1,3 and 5 from the copyright Act (UrhG)) covered according to DIN ISO 16016			
(k)	scale:	1:2	surface:
(l)	date	09-12-2020	name
(m)	drawn	MW	
(n)	proven	00-00-0000	00
(o)	<b>Fulterer</b>		
(p)	Fulterer AG & Co KG A-6890 Lustenau / Austria		
(q)	Fulterer AG CH-9430 St. Margrethen		
(r)	drawing number: <b>5046.500-GA.C001A</b>		
(s)	replaces version date:		
(t)	Lochposition angepasst	16-04-2021	MW
(u)	changes	date	na.
(v)	ind.		