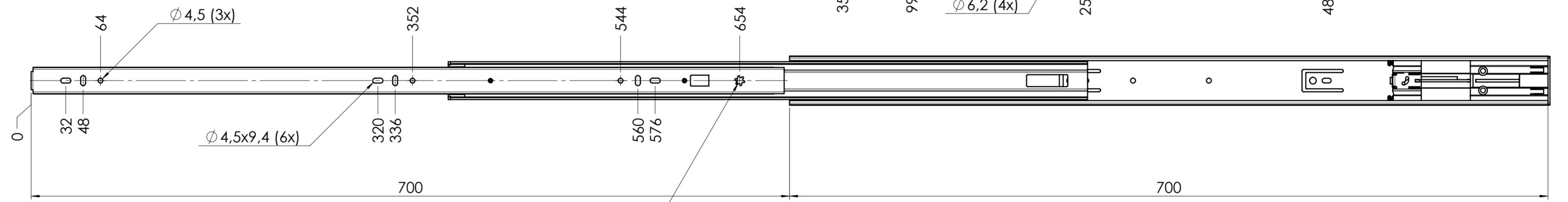
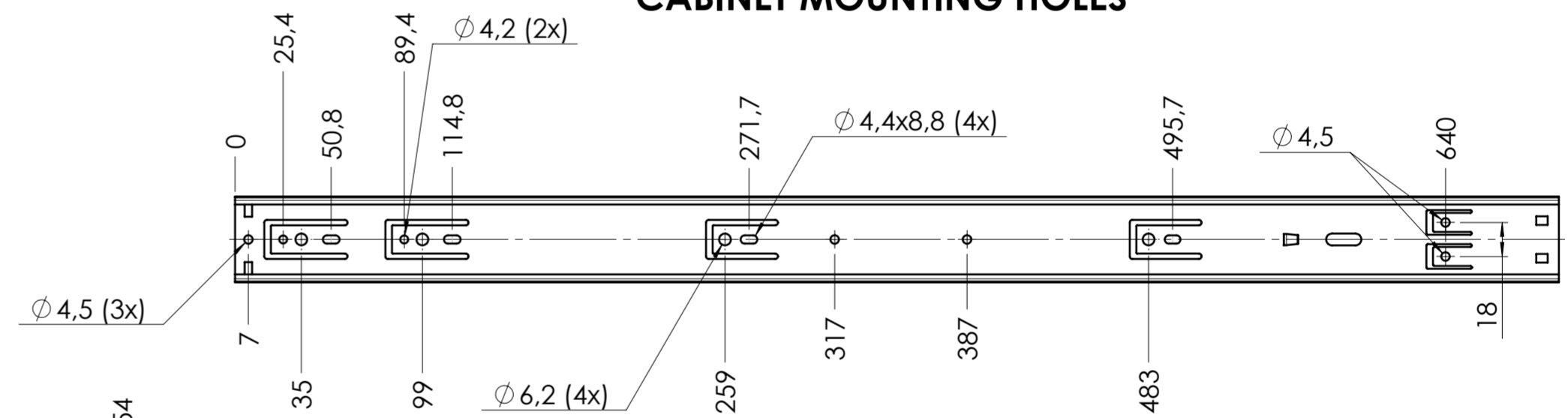


CABINET MOUNTING HOLES



$\phi 5,8$ THRU OPPOSITE SIDE FOR FLAT HEAD SCREWS

RECOMMENDED HARDWARE:
 CABINET- 3.5mm SPAX M4 BUTTON HEAD OR #8 TRUSS HEAD SCREW
 DRAWER- 3.5mm SPAX M4 BUTTON HEAD OR #8 TRUSS HEAD SCREW

general tolerances			DIN ISO 128-30 missing dimensions see 3D = theor. intersection
stamping part according Fulterer W18-001	plastic part according DIN ISO 16742 TG4		
This drawing remains our property and may not be multiplied neither be disclosed to third parties (§§1,3 and 5 from the copyright Act (UrhG))			
covered according to DIN ISO 16016		scale: 1:3	surface: A2
(k)		date	name
(l)		drawn 09-12-2020	MW
(m)		proven 00-00-0000	00
(n)			
(o)			
(p)			
(q)		description: SIDE MOUNT FULL EXTENSION DRAWER SLIDE WITH SOFT-CLOSE & DRAWER DISCONNECT	
(r)		drawing number: 5046.700-GA.C001A	
(s)		replaces version date:	
(t)		Fulterer AG & Co KG A-6890 Lustenau / Austria	
(u)		Fulterer AG CH-9430 St. Margrethen	
(v)	Lochposition angepasst	16-04-2021	MW
(w)	changes	date	na.