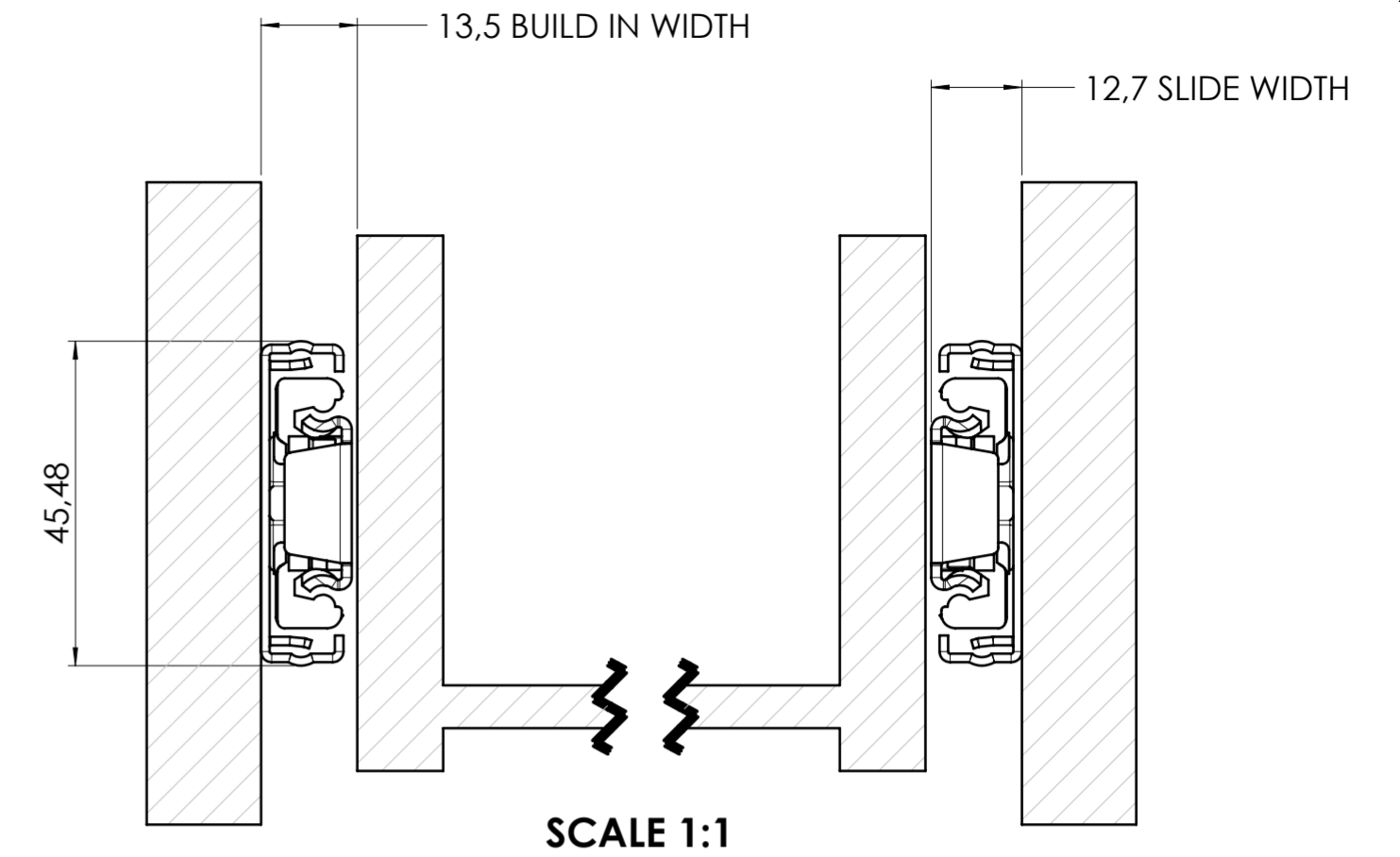
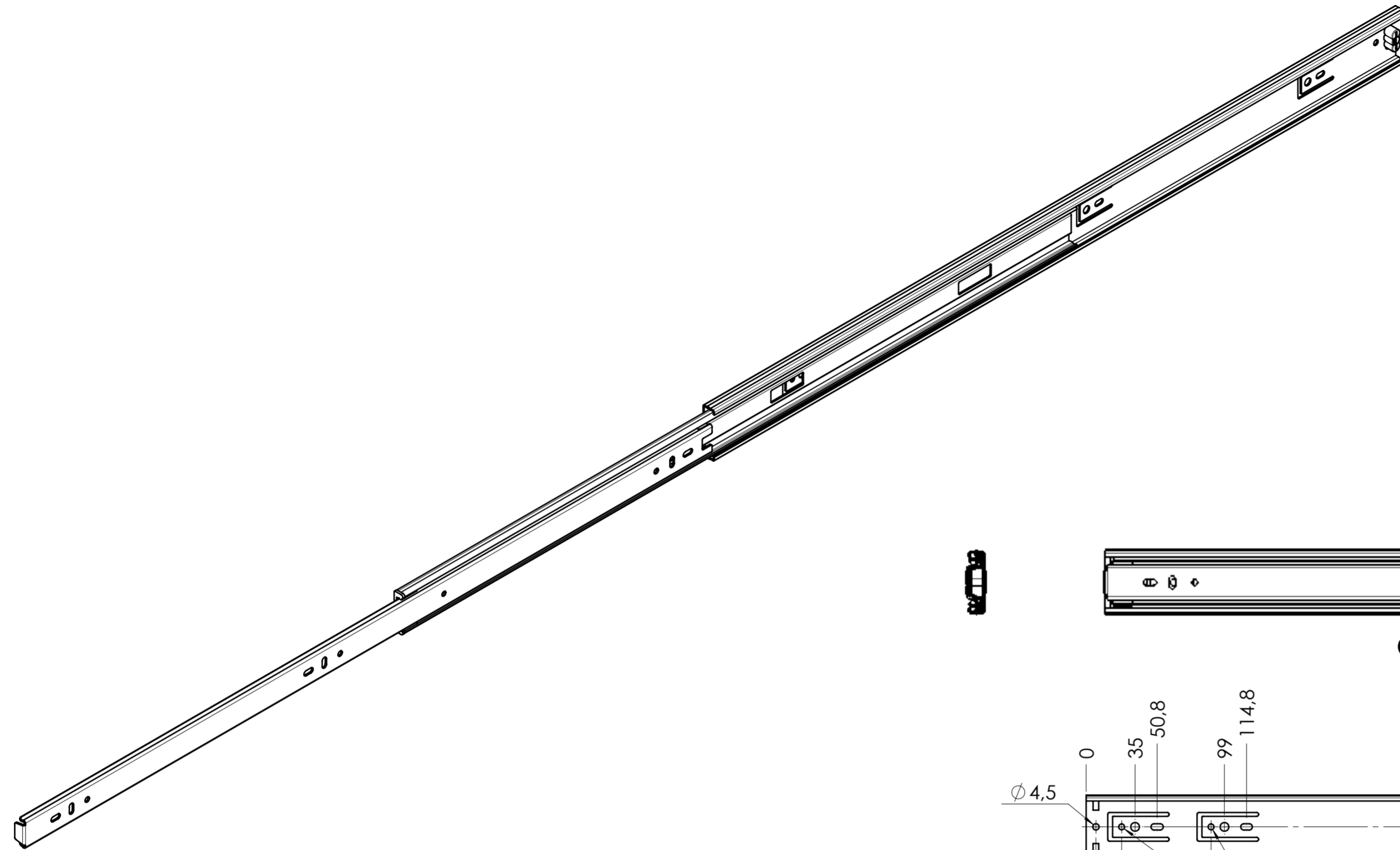
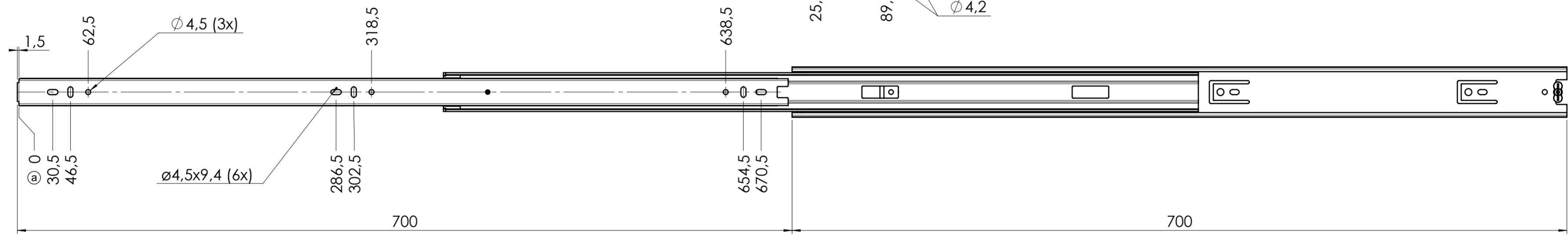
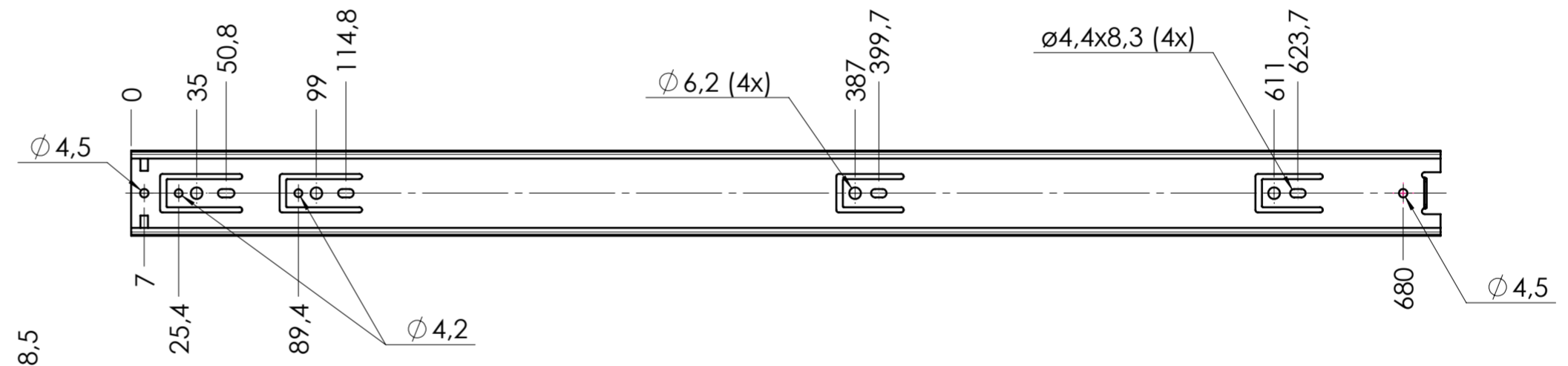


5046.700-GA.C200A

X



CABINET MOUNTING HOLES



RECOMMENDED HARDWARE:

CABINET- 3.5mm SPAX M4 BUTTON HEAD OR #8 TRUSS HEAD SCREW

DRAWER- 3.5mm SPAX M4 BUTTON HEAD OR #8 TRUSS HEAD SCREW

general tolerances		DIN ISO 128-30	
stamping part according Fulterer W18-001	plastic part according DIN ISO 16742 TG4	missing dimensions see 3D	
This drawing remains our property and may not be multiplied neither be disclosed to third parties (§§1,3 and 5 from the copyright Act (UrhG)) covered according to DIN ISO 16016		= theor. intersection	
(k)	scale: 1:3	surface:	material, semi finished parts: Steel
(l)	date: 12-05-2021	name: MW	(technical requirements Fulterer)
(m)	drawn: 00-00-0000	proven: 00	description: SIDE MOUNT FULL EXTENSION DRAWER SLIDE WITH DRAWER DISCONNECT
(n)	Fulterer		
(o)	Fulterer AG & Co KG	drawing number: 5046.700-GA.C200A	
(p)	A-6890 Lustenau / Austria	replaces version date:	
(q)	Fulterer AG		
(r)	CH-9430 St. Margrethen		
(s)	adj. dimensional reference 23-11-2022	BM	
(t)	changes	date	na.