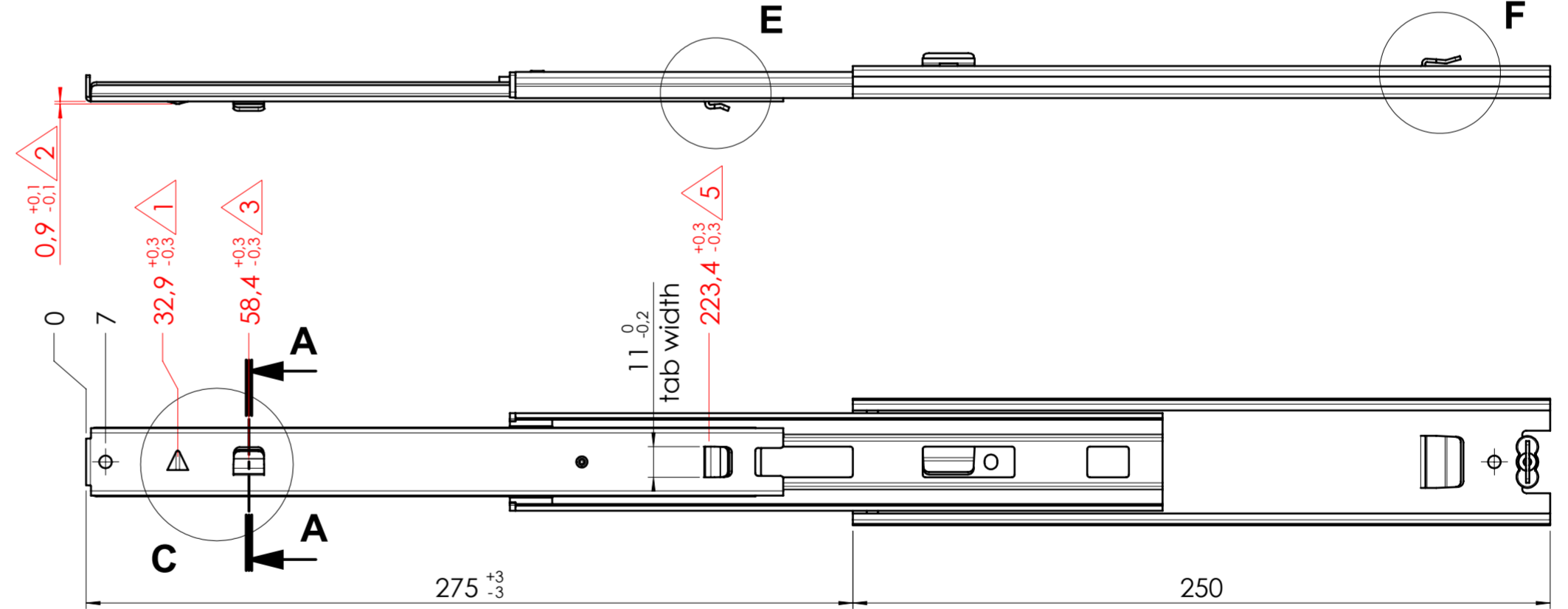
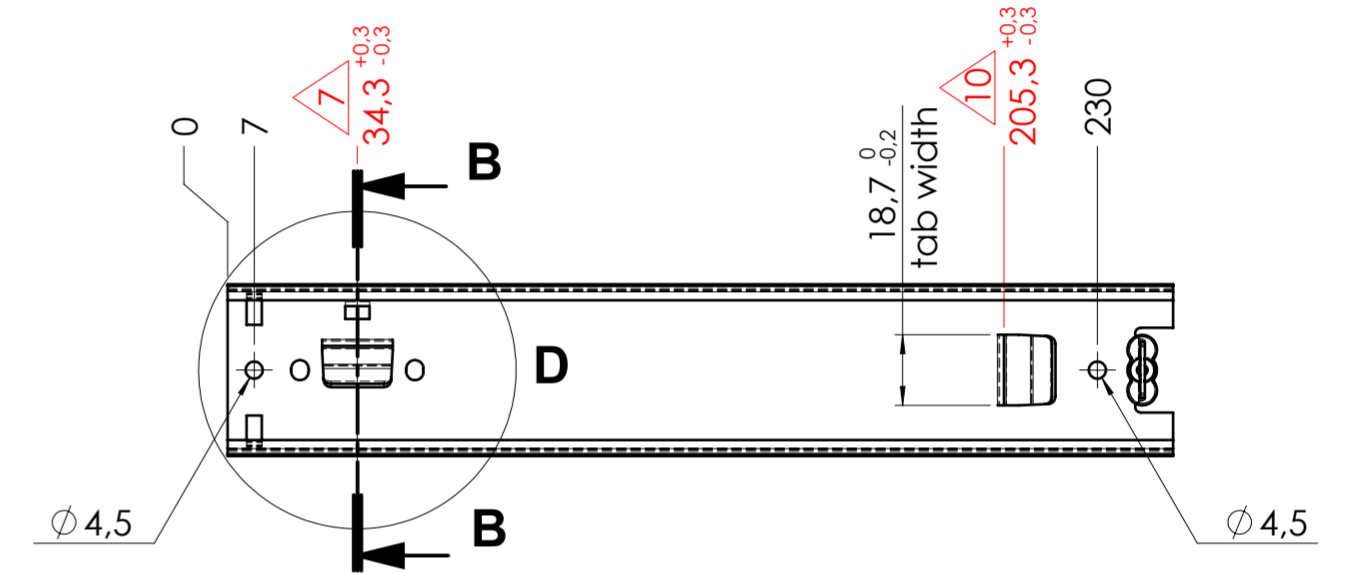
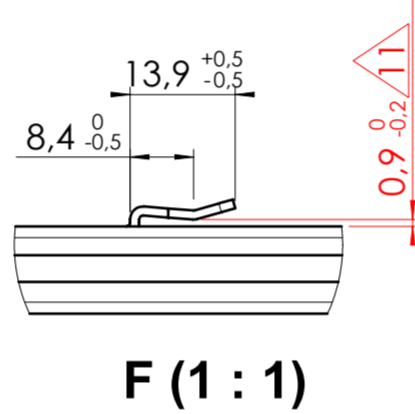
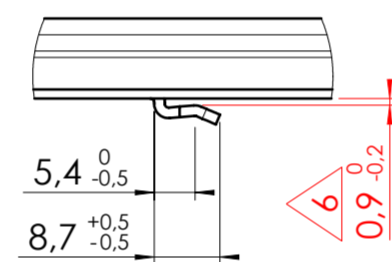
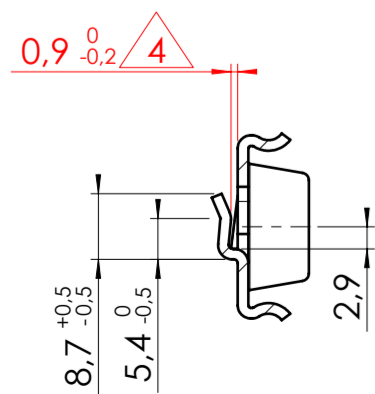


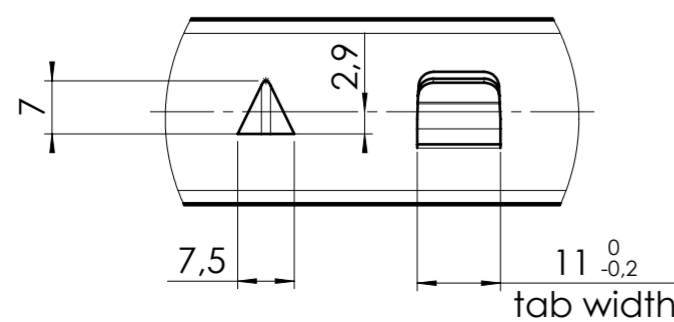
**E (1 : 1)**



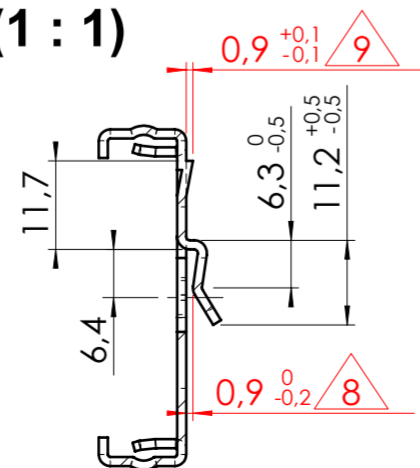
**A-A (1 : 1)**



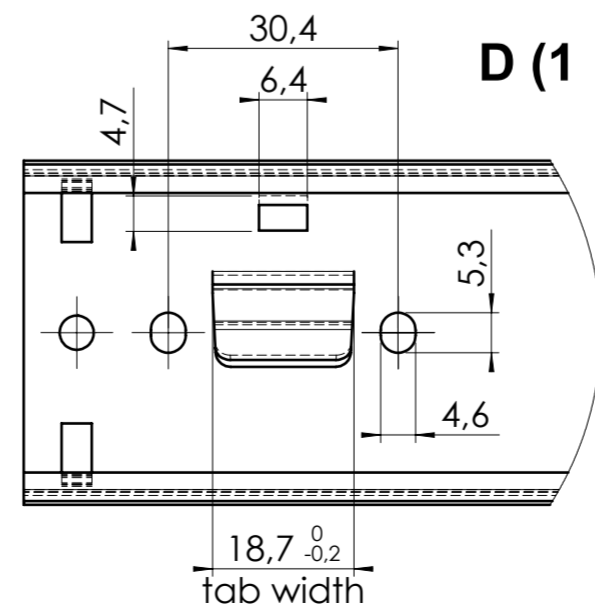
**C (1 : 1)**



**B-B (1 : 1)**



**D (1 : 1)**



xx = check dimension, next free check number 12

general tolerances		DIN ISO 128-30	
stamping part according Fulterer W18-001	plastic part according DIN ISO 16742 TG4	missing dimensions see 3D	
This drawing remains our property and may not be multiplied neither be disclosed to third parties (§§1,3 and 5 from the copyright Act (UrhG))		= theor. intersection	
covered according to DIN ISO 16016		scale: 1:2	surface: A2
drawn 22-04-2022	date 00-00-0000	name CS	material, semi finished parts: STEEL
proven 00-00-0000		00	(technical requirements Fulterer)
description: SIDE MOUNT OVER EXTENSION SMT (0,9) DRAWER SLIDE WITH DRAWER DISCONNECT		drawing number: 5046.250-GA.C102A	
Fulterer AG & Co KG A-6890 Lustenau / Austria		replaces version date:	
Fulterer AG CH-9430 St. Margrethen			
ind.	changes	date	na.