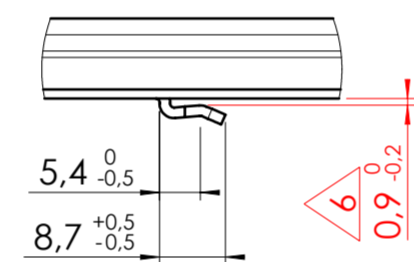
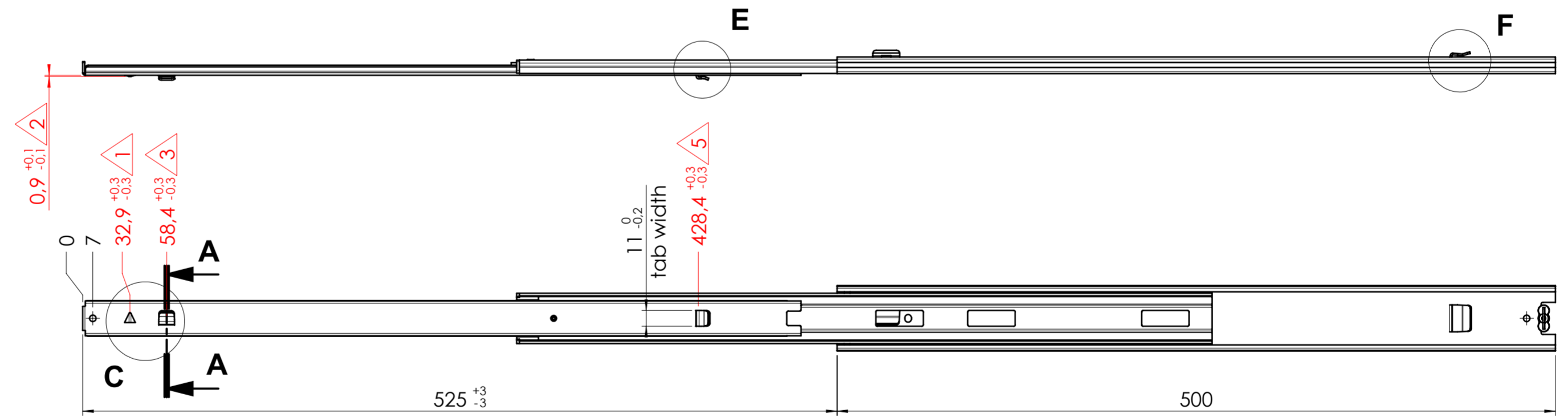
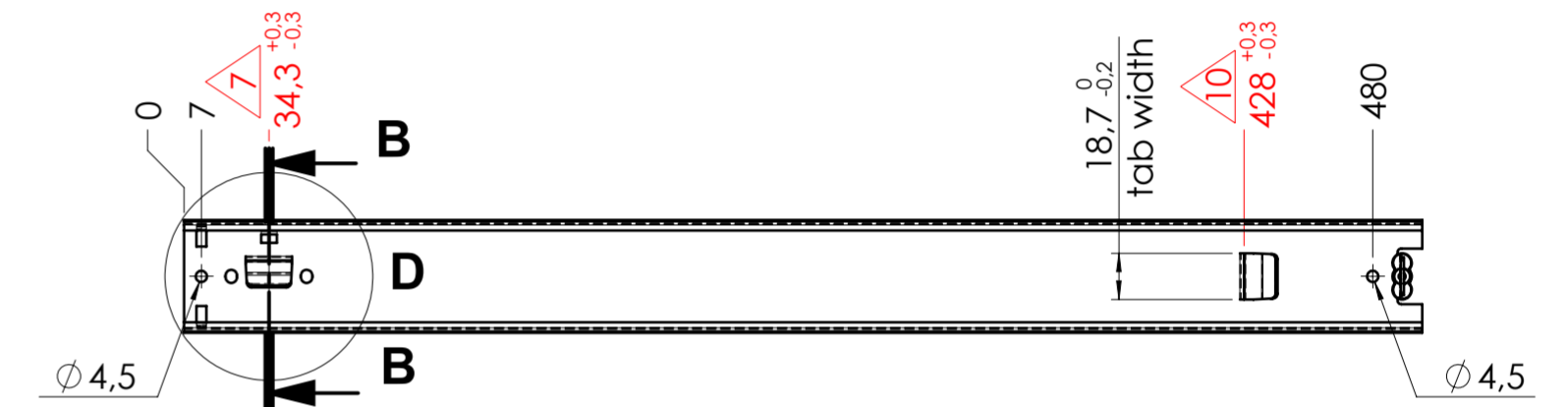
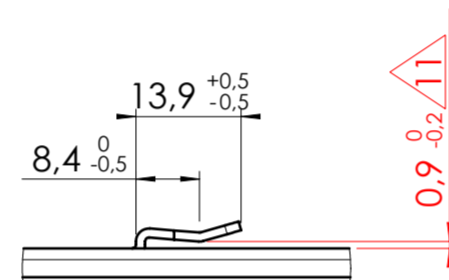


SCALE 1:1

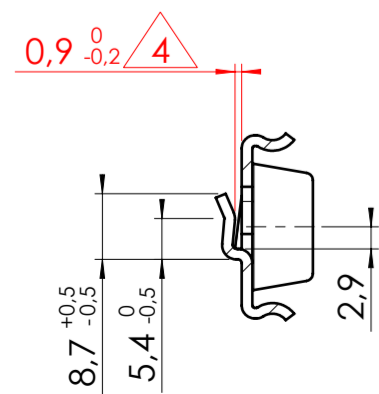
E (1 : 1)



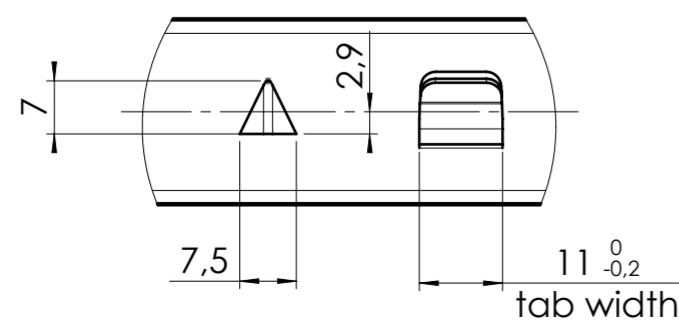
F (1 : 1)



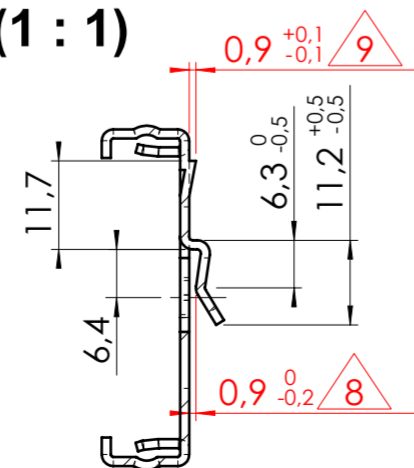
A-A (1 : 1)



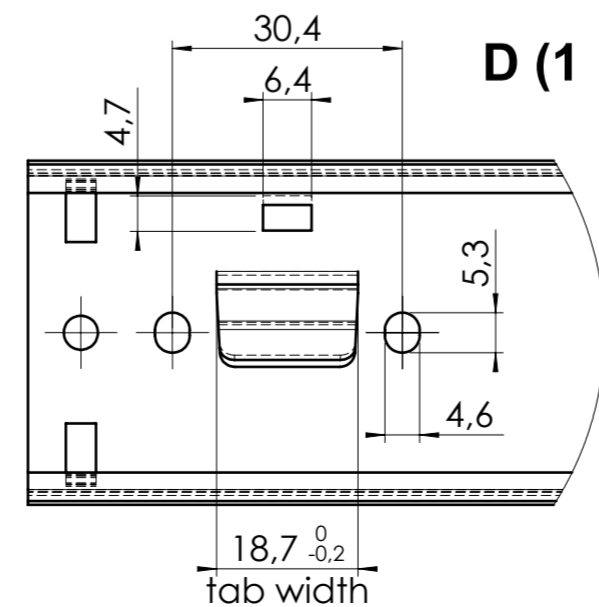
C (1 : 1)



B-B (1 : 1)



D (1 : 1)



xx = check dimension, next free check number 12

general tolerances		DIN ISO 128-30	
stamping part according Fulterer W18-001	plastic part according DIN ISO 16742 TG4	missing dimensions see 3D	
This drawing remains our property and may not be multiplied neither be disclosed to third parties (§§1,3 and 5 from the copyright Act (UrhG))		= theor. intersection	
covered according to DIN ISO 16016		scale: 1:3	surface: A2
(k)		date	name
(l)		drawn 22-04-2022	CS
(m)		proven 00-00-0000	00
(n)		<b>Fulterer</b>	
(o)			
(p)		material, semi finished parts:	
(q)		STEEL	
(r)		(technical requirements Fulterer)	
(s)		description:	
(t)		SIDE MOUNT OVER EXTENSION	
(u)		SMT (0,9) DRAWER SLIDE WITH	
(v)		DRAWER DISCONNECT	
(w)		drawing number:	
(x)		5046.500-GA.C102A	
(y)		replaces version date:	
(z)			
ind.	changes	date	na.