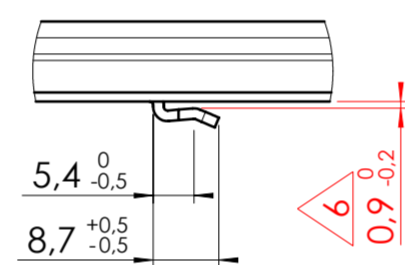
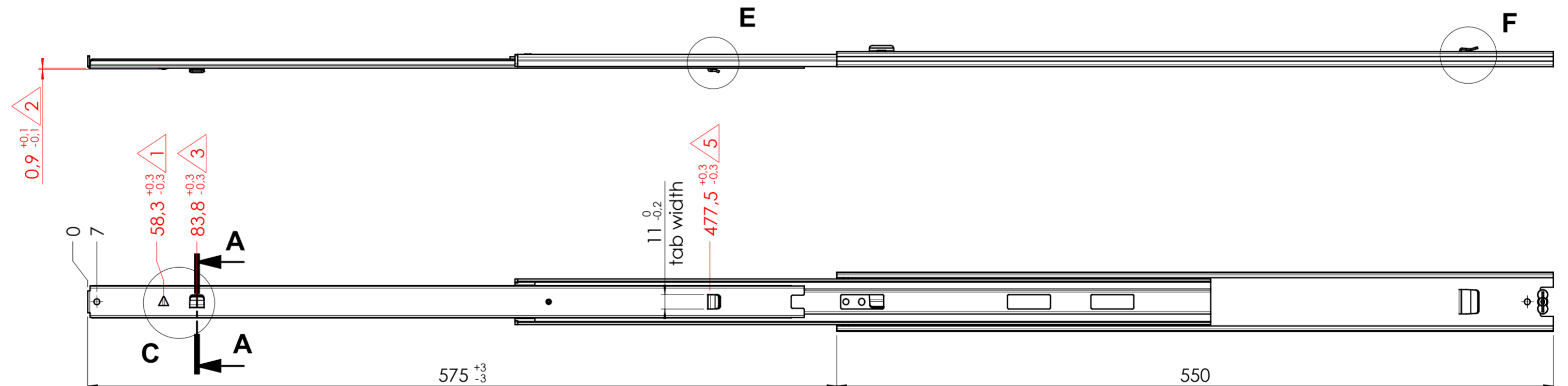
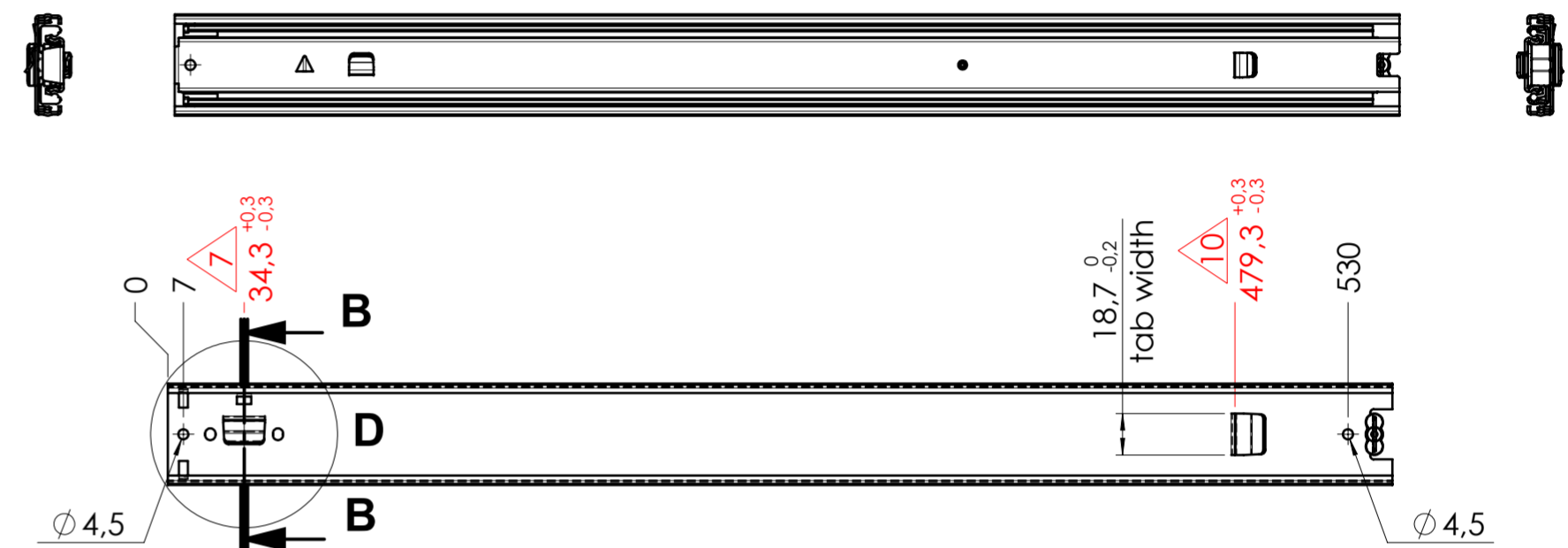
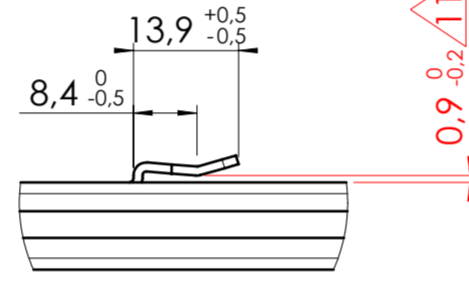


SCALE 1:1

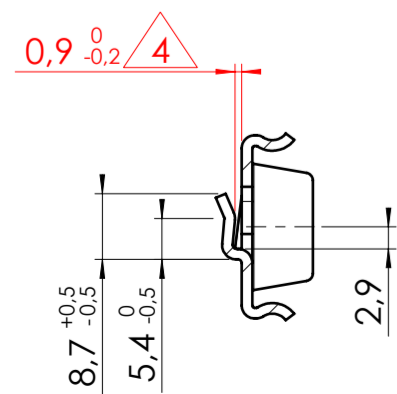
E (1 : 1)



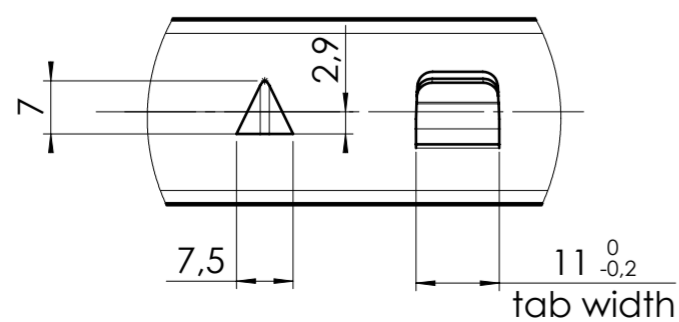
F (1 : 1)



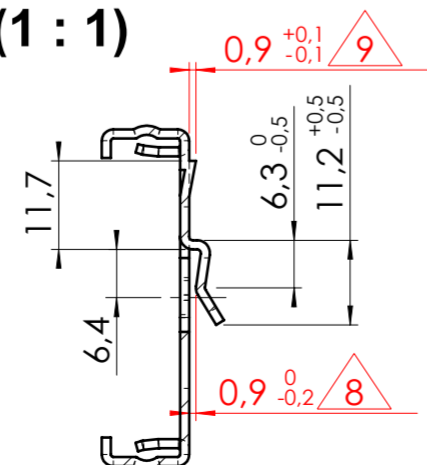
A-A (1 : 1)



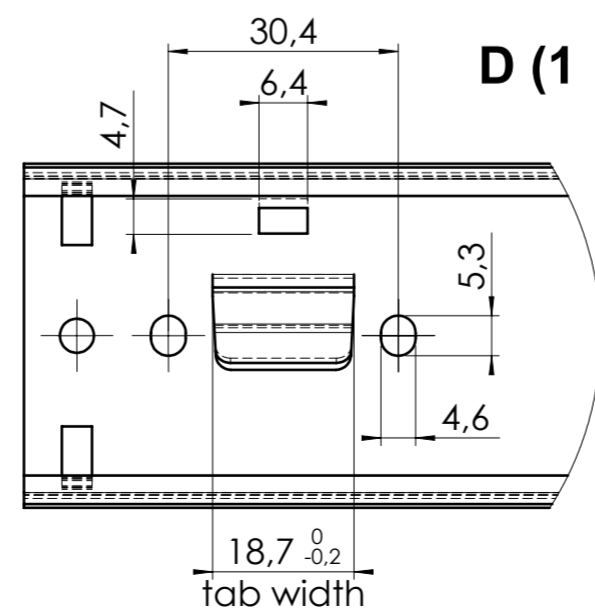
C (1 : 1)



B-B (1 : 1)



D (1 : 1)



xx = check dimension, next free check number 12

general tolerances		DIN ISO 128-30	
stamping part according Fulterer W18-001	plastic part according DIN ISO 16742 TG4	missing dimensions see 3D	
This drawing remains our property and may not be multiplied neither be disclosed to third parties (§§1,3 and 5 from the copyright Act (UrhG)) covered according to DIN ISO 16016		= theor. intersection	
scale: 1:3		material, semi finished parts: STEEL (technical requirements Fulterer)	
surface:		description: SIDE MOUNT OVER EXTENSION SMT (0,9) DRAWER SLIDE WITH DRAWER DISCONNECT	
date: 22-04-2022		drawing number: 5046.550-GA.C102A	
name: CS		replaces version date:	
proven: 00-00-0000		00	
Fulterer AG & Co KG A-6890 Lustenau / Austria			
Fulterer AG CH-9430 St. Margrethen			
ind.	changes	date	na.