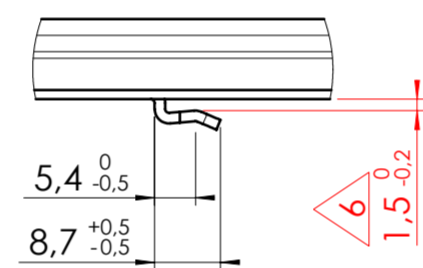
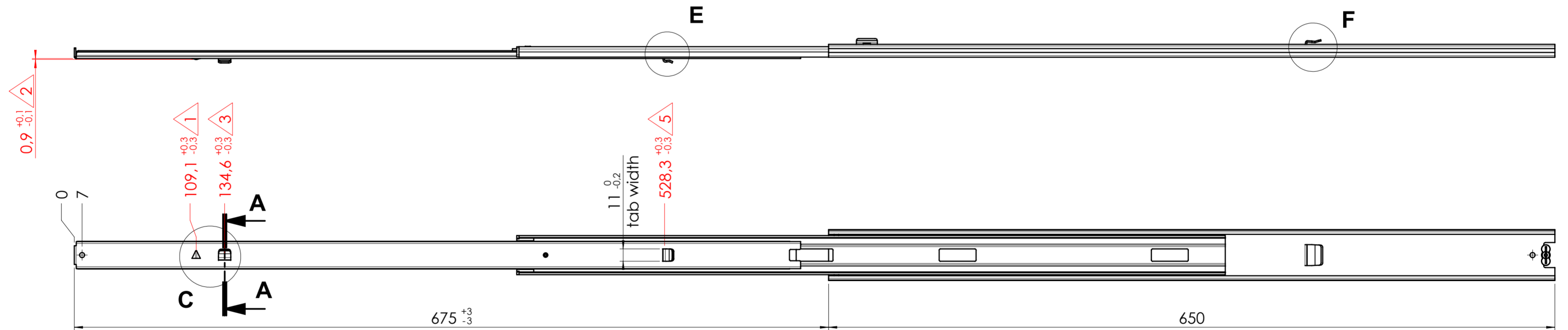
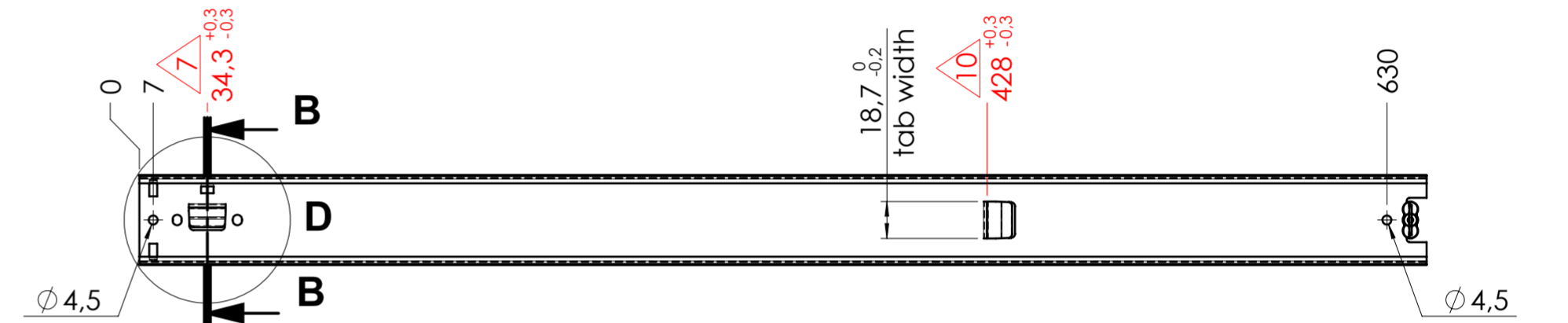
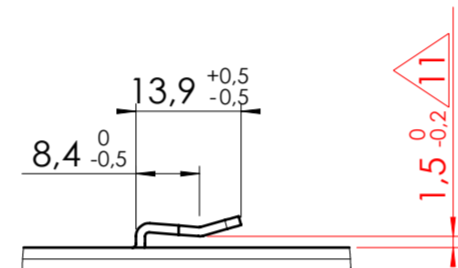


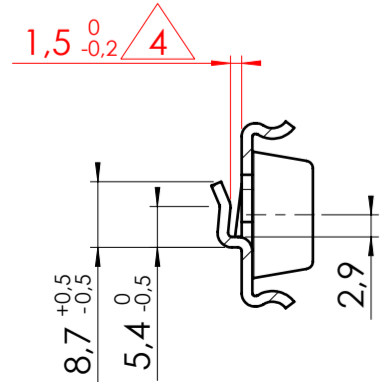
E (1 : 1)



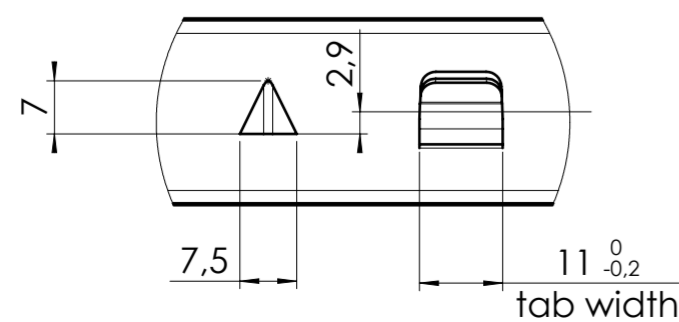
F (1 : 1)



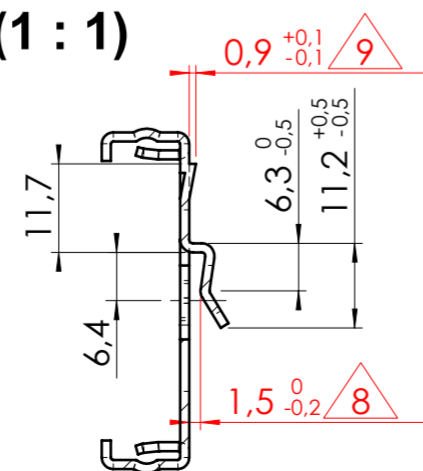
A-A (1 : 1)



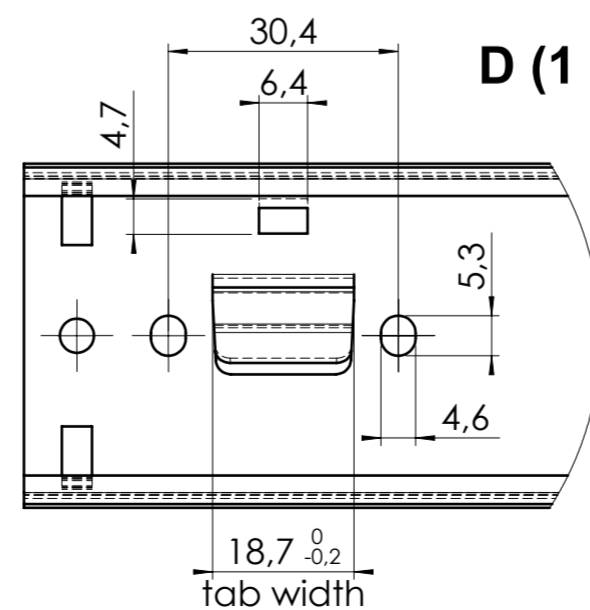
C (1 : 1)



B-B (1 : 1)



D (1 : 1)



xx = check dimension, next free check number 12

general tolerances		DIN ISO 128-30	
stamping part according Fulterer W18-001	plastic part according DIN ISO 16742 TG4	missing dimensions see 3D	
This drawing remains our property and may not be multiplied neither be disclosed to third parties (§§1,3 and 5 from the copyright Act (UrhG)) covered according to DIN ISO 16016		= theor. intersection	
(k)	scale: 1:3	surface:	material, semi finished parts: STEEL (technical requirements Fulterer)
(l)	date: 22-04-2022	name: CS	description: SIDE MOUNT OVER EXTENSION SMT (1,5) DRAWER SLIDE WITH DRAWER DISCONNECT
(m)	proven: 00-00-0000	00	
(n)	Fulterer		drawing number: 5046.650-GA.C103A
(o)	Fulterer AG & Co KG A-6890 Lustenau / Austria		
(p)	Fulterer AG CH-9430 St. Margrethen		replaces version date:
(q)	changes	date	na.