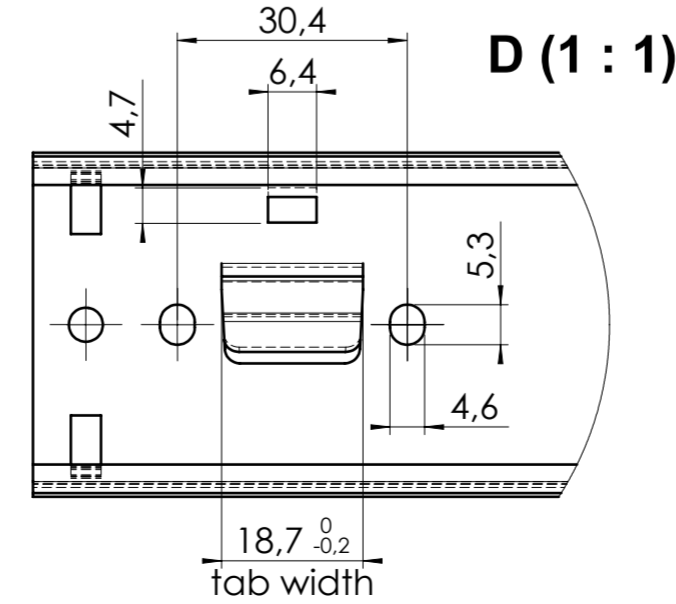
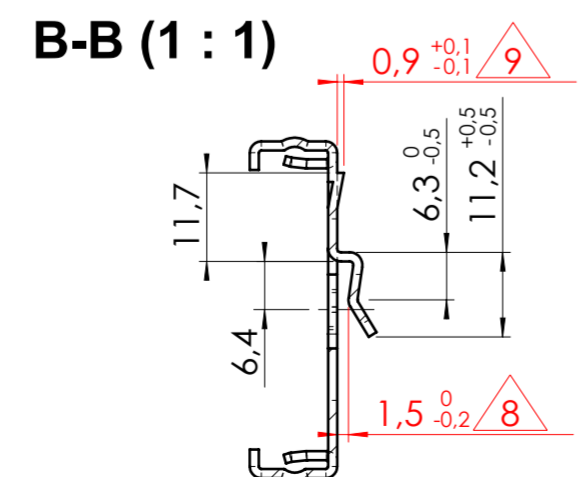
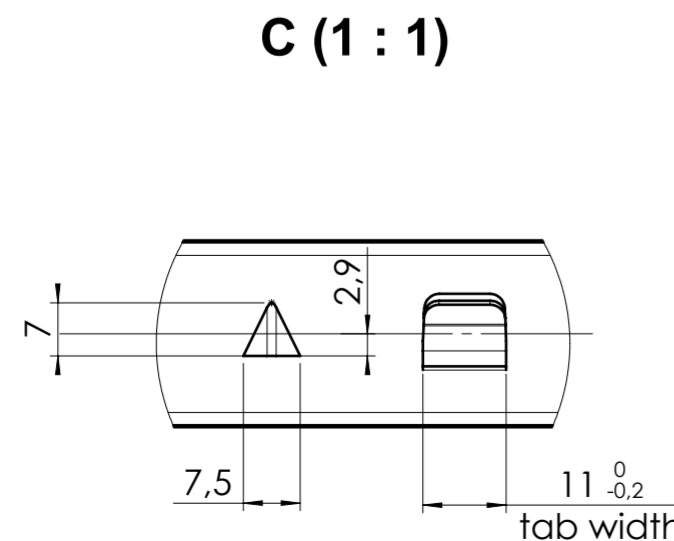
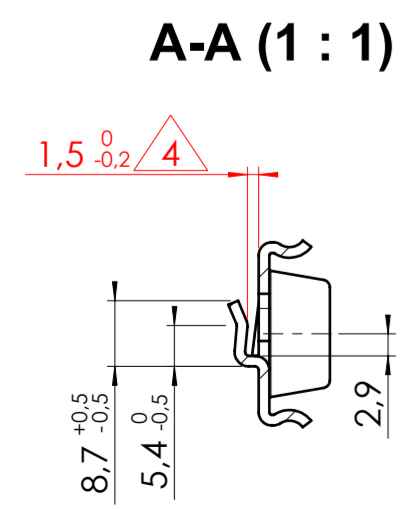


SCALE 1:1

xx = check dimension, next free check number 12



general tolerances		DIN ISO 128-30	
stamping part according Fulterer W18-001	plastic part according DIN ISO 16742 TG4	missing dimensions see 3D	
This drawing remains our property and may not be multiplied neither be disclosed to third parties (§§1,3 and 5 from the copyright Act (UrhG)) covered according to DIN ISO 16016		= theor. intersection	
(k)	scale: 1:3	surface:	material, semi finished parts: STEEL (technical requirements Fulterer)
(l)	date: 21-04-2022	name: CS	description: SIDE MOUNT FULL EXTENSION SMT (1,5) DRAWER SLIDE WITH DRAWER DISCONNECT
(m)	proven: 00-00-0000	00	
(n)	Fulterer AG & Co KG A-6890 Lustenau / Austria		drawing number: 5046.550-GA.C101A
(o)	Fulterer AG CH-9430 St. Margrethen		
(p)	changes	date	replaces version date:
(q)			
(r)			
(s)			
(t)			
(u)			
(v)			
(w)			
(x)			
(y)			
(z)			