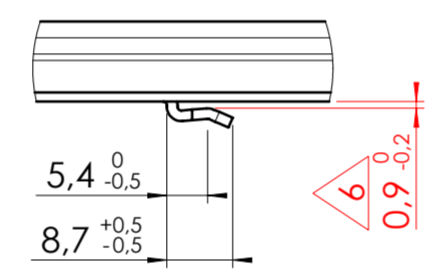
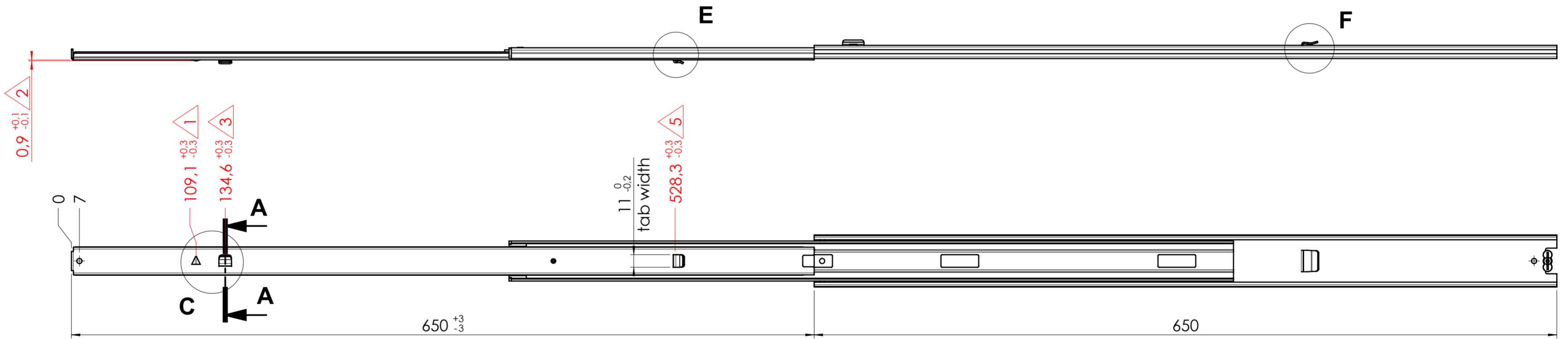
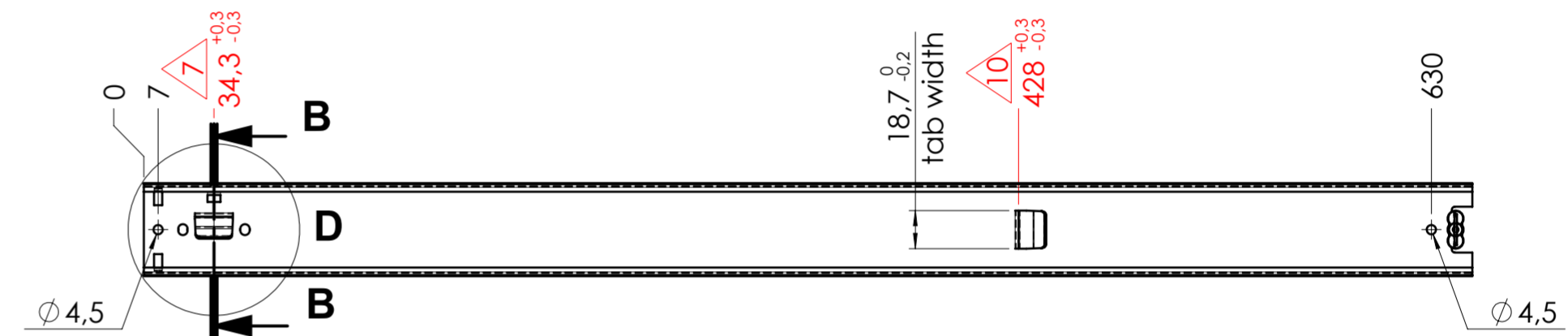
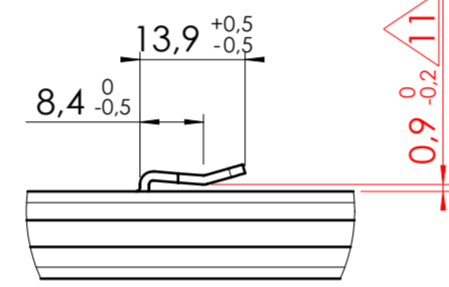


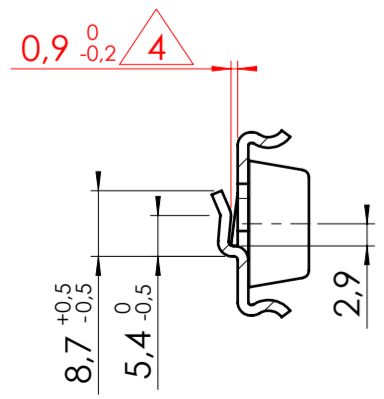
**E (1 : 1)**



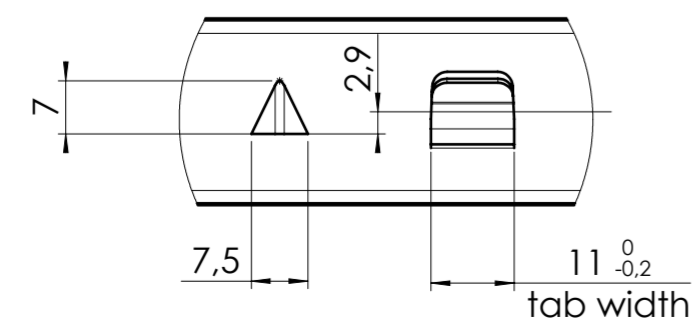
**F (1 : 1)**



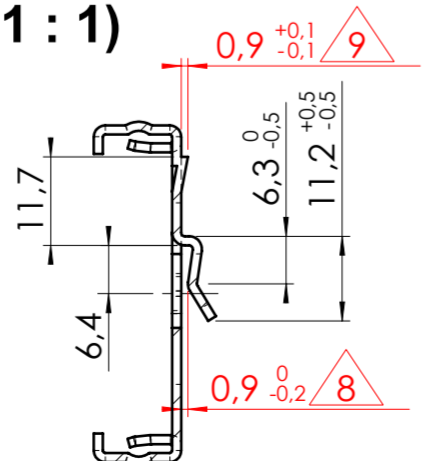
**A-A (1 : 1)**



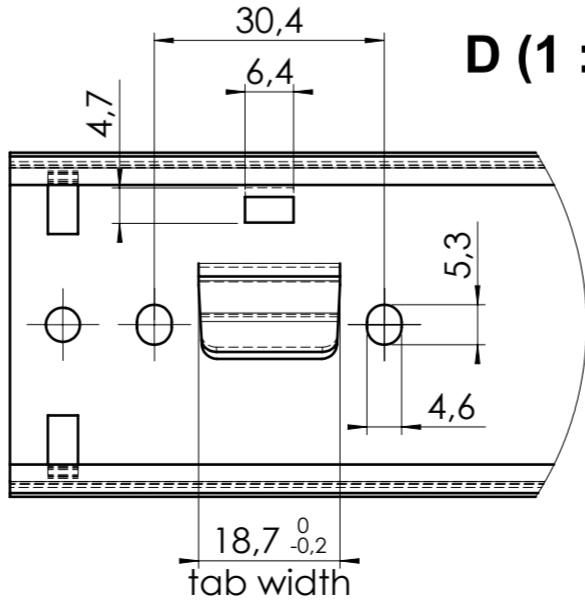
**C (1 : 1)**



**B-B (1 : 1)**



**D (1 : 1)**



xx = check dimension , next free check number 12

general tolerances		DIN ISO 128-30	
stamping part according Fulterer W18-001	plastic part according DIN ISO 16742 TG4	missing dimensions see 3D	
This drawing remains our property and may not be multiplied neither be disclosed to third parties (§§1,3 and 5 from the copyright Act (UrhG)) covered according to DIN ISO 16016		= theor. intersection	
scale: 1:3		material, semi finished parts: STEEL (technical requirements Fulterer)	
surface: 00		description: SIDE MOUNT FULL EXTENSION SMT (0,9) DRAWER SLIDE WITH DRAWER DISCONNECT	
date: 13-04-2022		drawing number: 5046.650-GA.C100A	
name: CS		replaces version date:	
proven: 00-00-0000		Fulterer AG & Co KG A-6890 Lustenau / Austria Fulterer AG CH-9430 St. Margrethen	
ind.	changes	date	na.