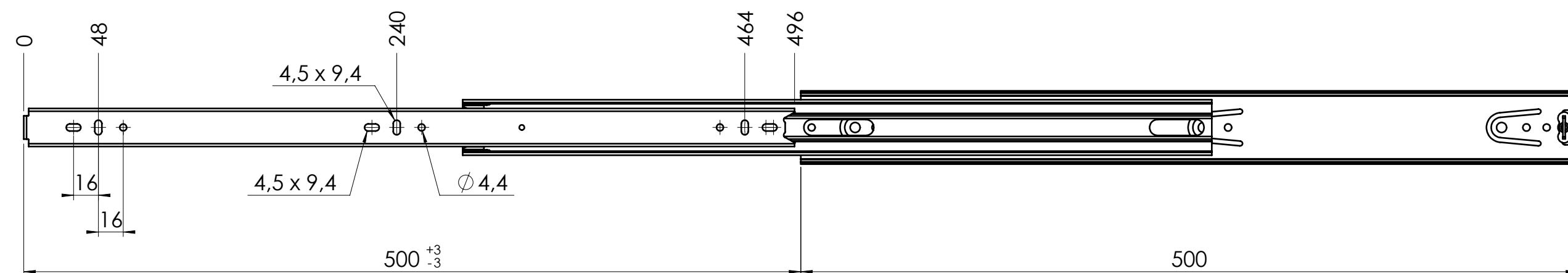


**CABINET MOUNTING HOLES**



xx = check dimension, next free check number /1

**RECOMMENDED HARDWARE:**  
 CABINET- 3.5mm SPAX M4 BUTTON HEAD OR #8 TRUSS HEAD SCREW  
 DRAWER- 3.5mm SPAX M4 BUTTON HEAD OR #8 TRUSS HEAD SCREW

general tolerances		DIN ISO 128-30	
stamping part according Fulterer W18-001	plastic part according DIN ISO 16742 TG4	missing dimensions see 3D	
This drawing remains our property and may not be multiplied neither be disclosed to third parties (§§1,3 and 5 from the copyright Act (UrhG)) covered according to DIN ISO 16016		= theor. intersection	
(k)	scale: 1:3	surface:	material, semi finished parts: STEEL (technical requirements Fulterer)
(l)	date	name	description: SIDE MOUNT FULL EXTENSION STANDARD MOUNTING HOLE DRAWER DISCONNECT
(i)	drawn 05-05-2022	CS	
(h)	proven 00-00-0000	00	drawing number: <b>5047.500-GA.T000</b>
(g)	<b>Fulterer</b>		
(f)	Fulterer AG & Co KG A-6890 Lustenau / Austria		replaces version date:
(e)	Fulterer AG CH-9430 St. Margrethen		
(d)	ind. changes	date	na.
(c)	00-00-0000	00	
(b)			
(a)			