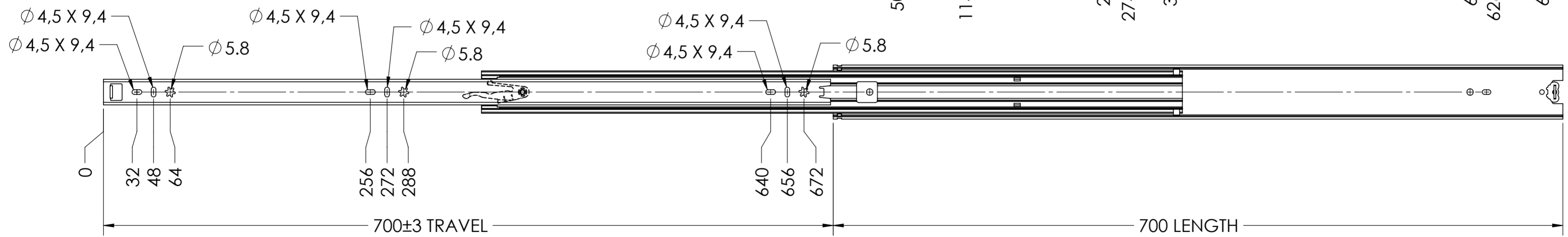
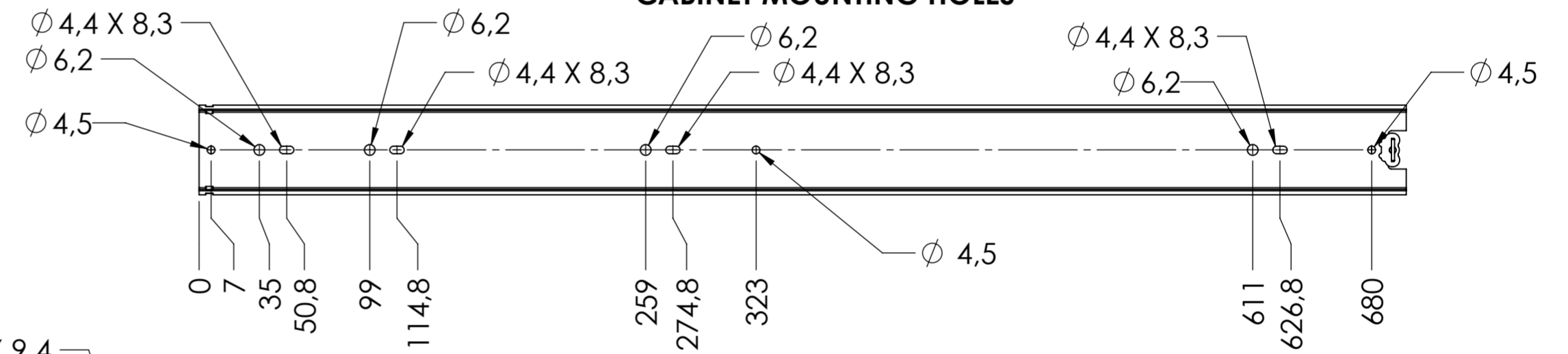


### CABINET MOUNTING HOLES



RECOMMENDED HARDWARE:  
 CABINET- M4 BUTTON HEAD OR #8 TRUSS HEAD SCREW  
 DRAWER- M4 BUTTON HEAD OR #8 TRUSS HEAD SCREW

general tolerances				missing dimensions see 3D = theor. intersection	
ISO 2768-m					
This drawing remains our property and may not be multiplied neither be disclosed to third parties (§§1,3 and 5 from the copyright Act (UrhG)) covered according to DIN ISO 16016					
(k)		scale:	1:31:3	surface:	material, semi finished parts: STEEL (technical requirements Fulterer)
(l)		date	05-10-2018	name	HB
(m)		drawn	05-10-2018	proven	00-00-0000 00
(n)		<b>Fulterer</b>			description: FULL EXTENSION SIDE MOUNT DRAWER SLIDE WITH DRAWER DISCONNECT
(o)					
(p)		Fulterer AG & Co KG A-6890 Lustenau / Austria			drawing number: <b>5052.700-GA.T005</b>
(q)		Fulterer AG CH-9430 St. Margrethen			
(r)		changes	date	na.	replaces version date: