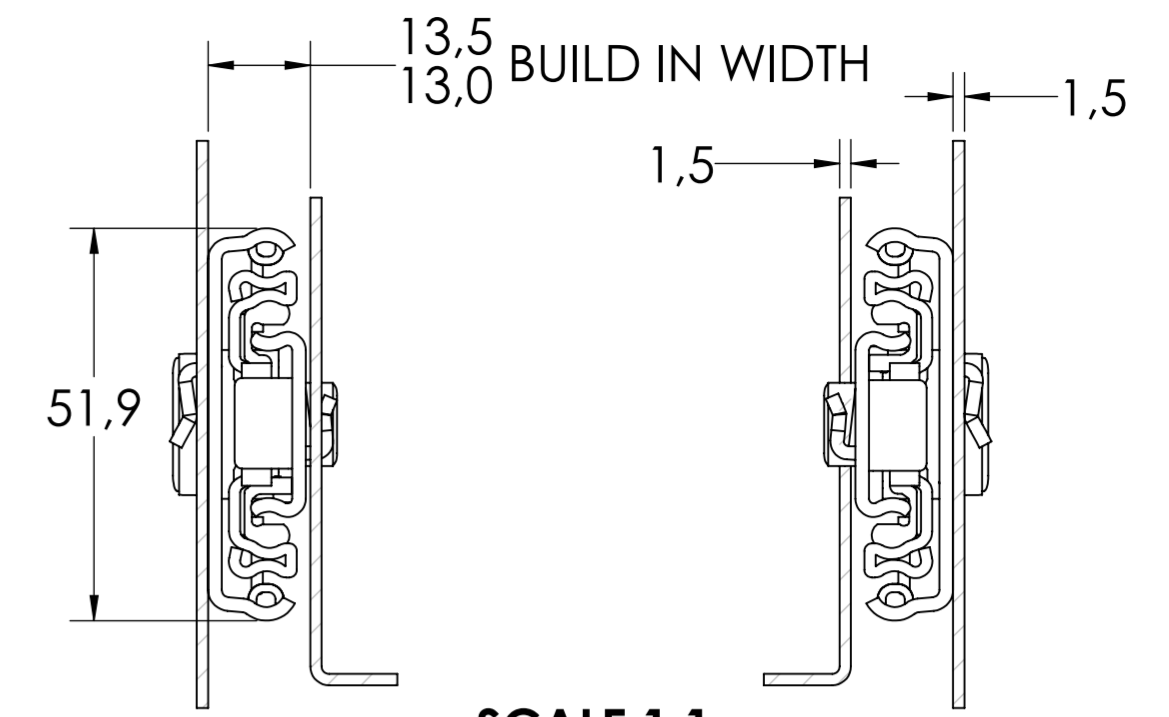
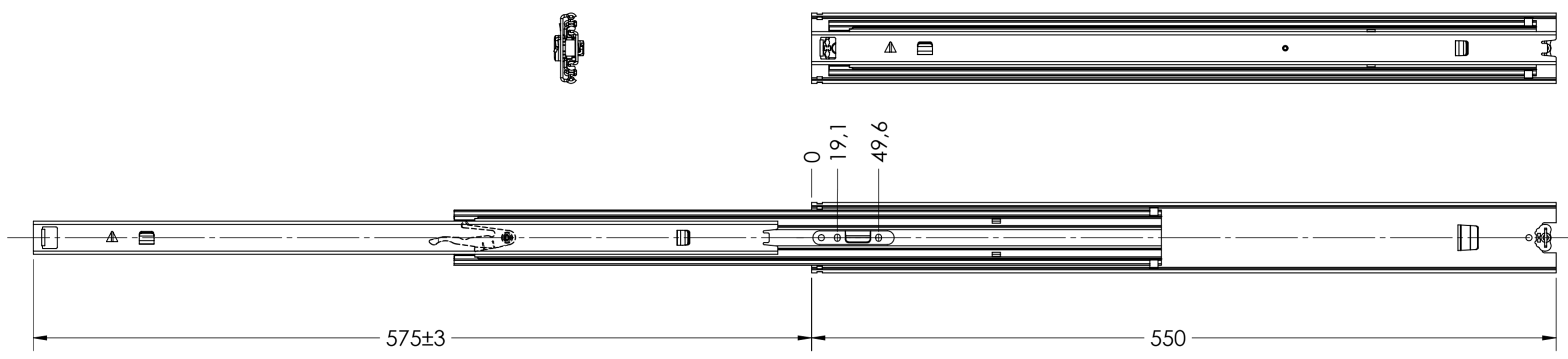


# 5210.550-GA.T103

X

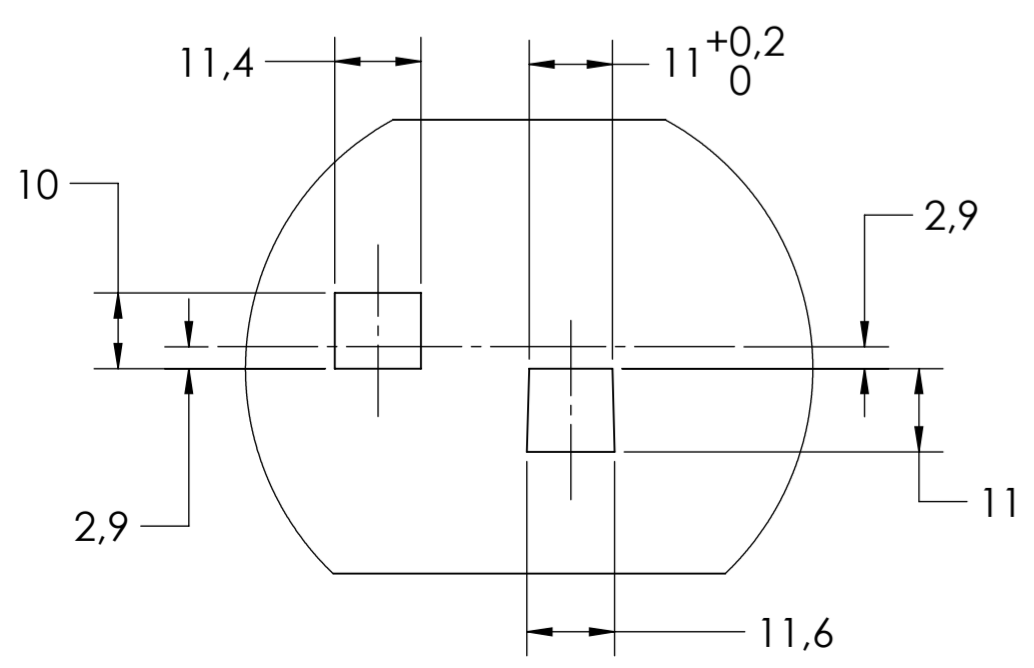
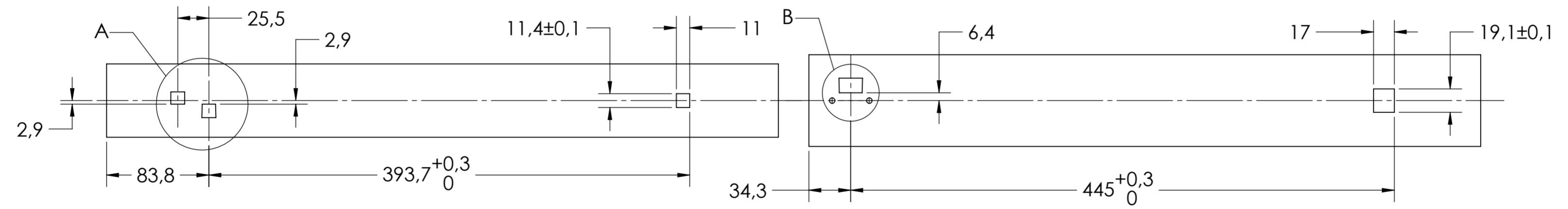


SCALE 1:1

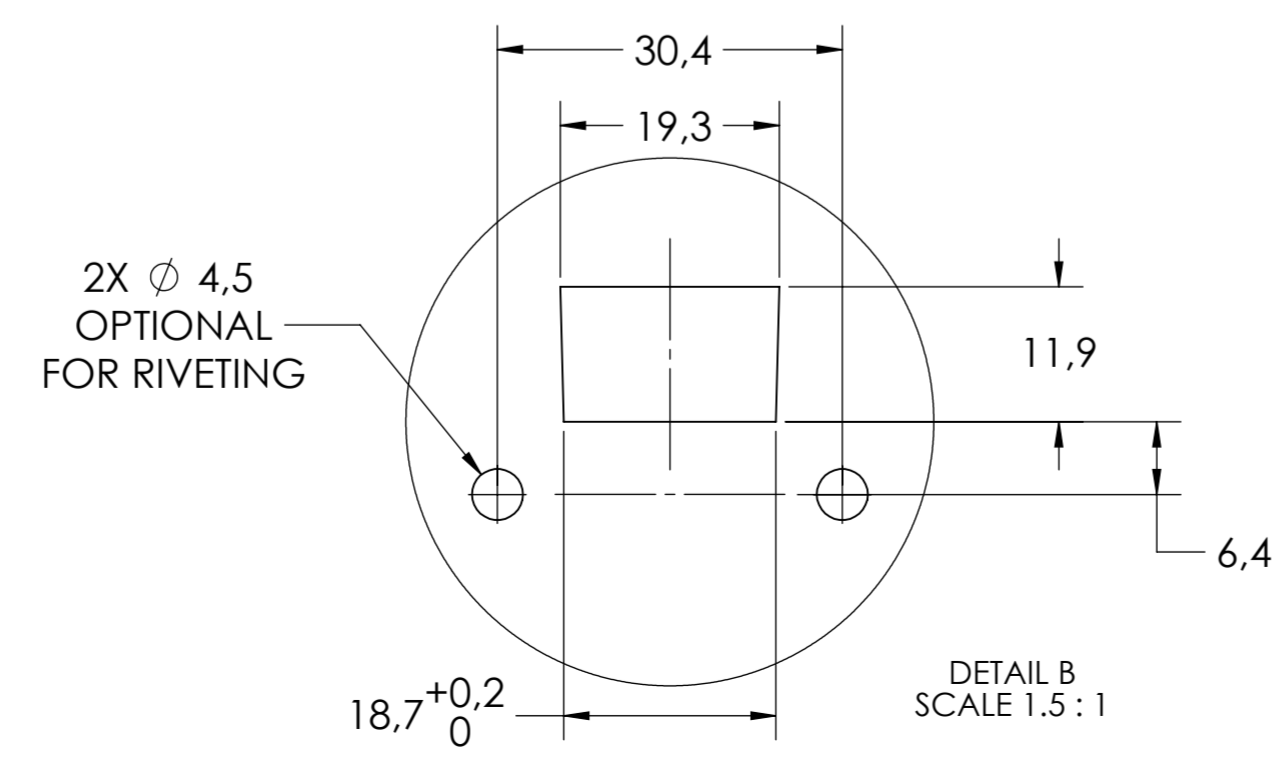


### DRAWER MOUNTING CUTOUTS

### CABINET MOUNTING CUTOUTS



DETAIL A  
SCALE 1:1



DETAIL B  
SCALE 1.5:1

|  |         |  |          |
|--|---------|--|----------|
| general tolerances   |         | DIN ISO 128-30<br>missing dimensions see 3D<br>= theor. intersection |          |
| ISO 2768-m   |         |  |          |
| This drawing remains our property and may not be multiplied neither be disclosed to third parties (§§1,3 and 5 from the copyright Act (UrhG)) covered according to DIN ISO 16016 |         |  |          |
| (k)  |         | scale:   | surface: |
| (l)  |         | 1:3  |          |
| (m)  |         | date   | name     |
| (n)  |         | drawn 08-03-2019   | HB       |
| (o)  |         | proven 00-00-0000  | 00       |
| (p)  |         | <b>Fulterer</b>  |          |
| (q)  |         | Fulterer AG & Co KG<br>A-6890 Lustenau / Austria                     |          |
| (r)  |         | Fulterer AG<br>CH-9430 St. Margrethen                                |          |
| (s)  |         | drawing number:<br><b>5210.550-GA.T103</b>                           |          |
| (t)  |         | replaces version date:   |          |
| (u)  | 0       | 00-00-0000   | 0        |
| ind.   | changes | date   | na.      |