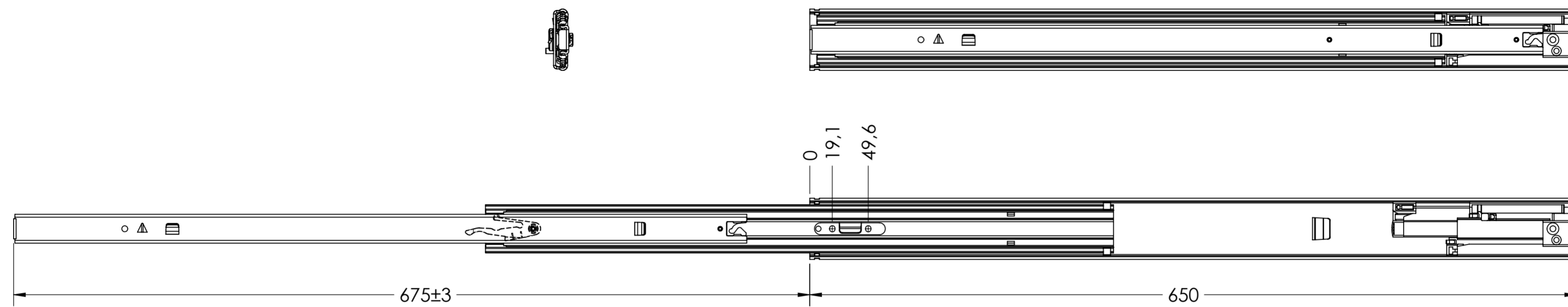
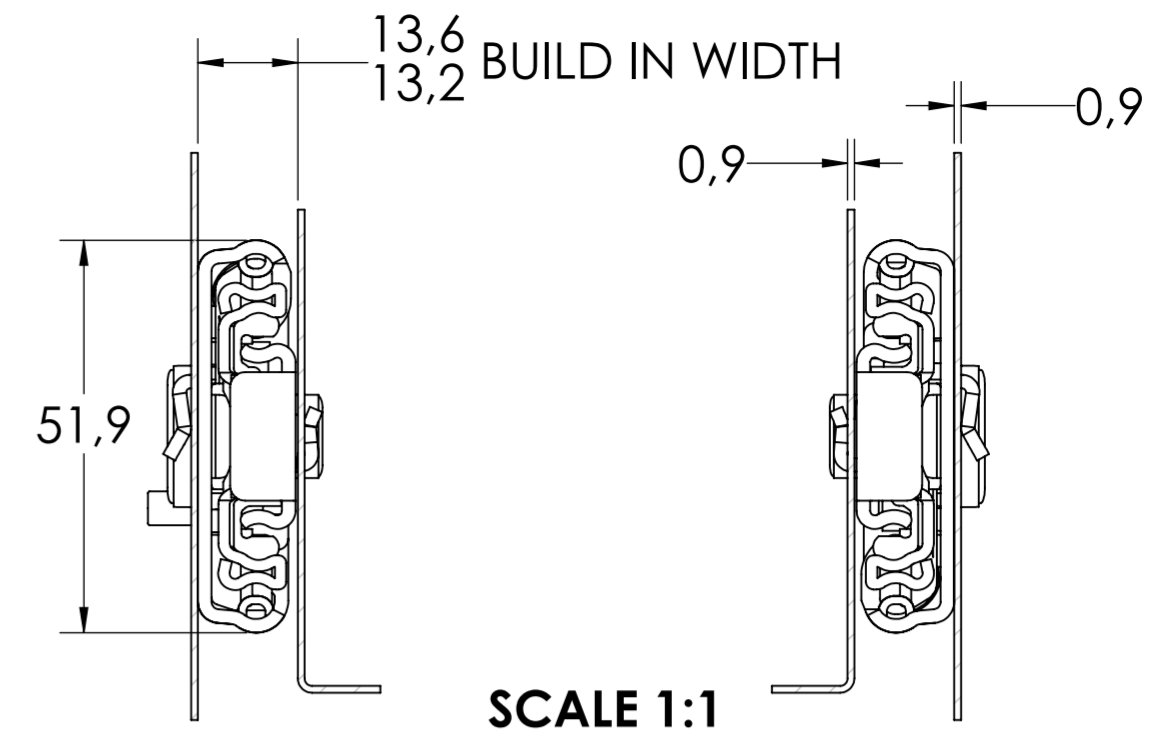
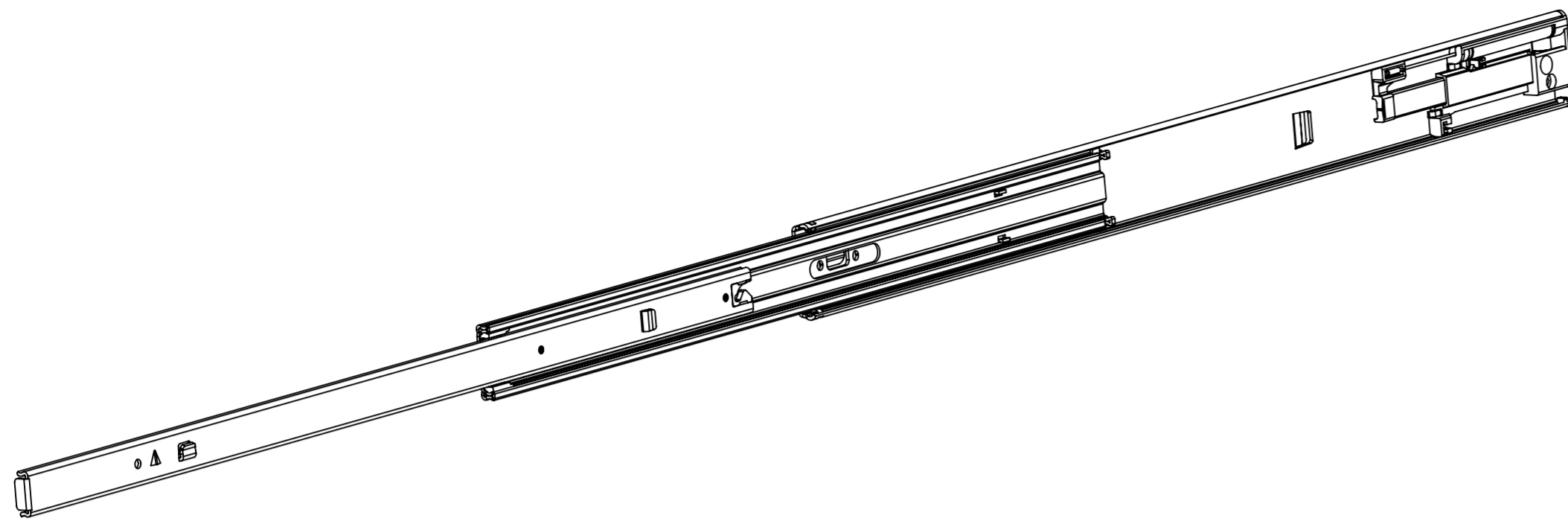
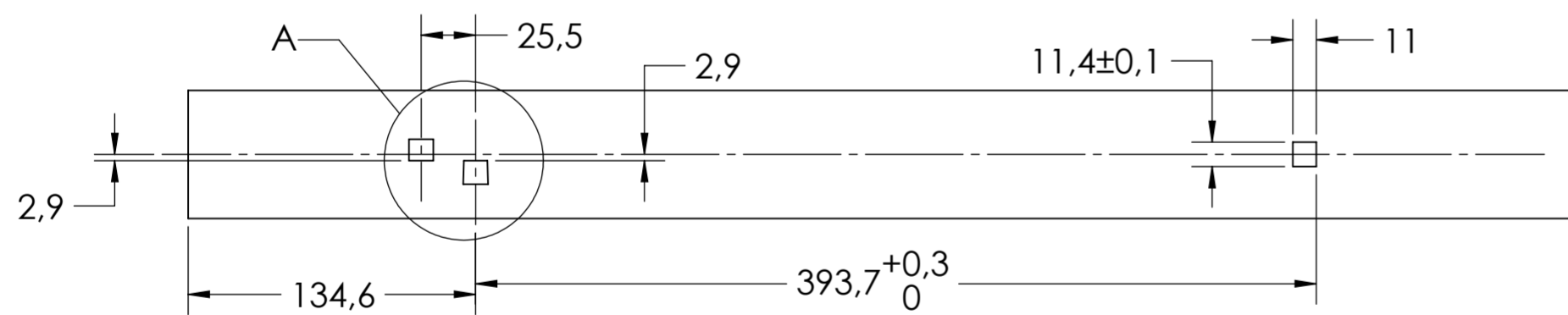


5210.650-GA.T106

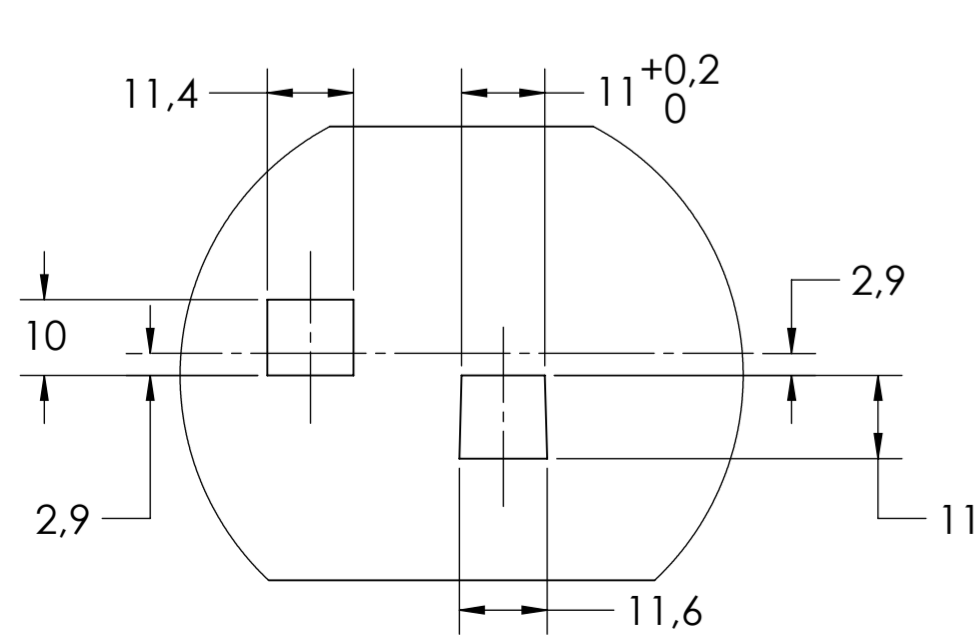
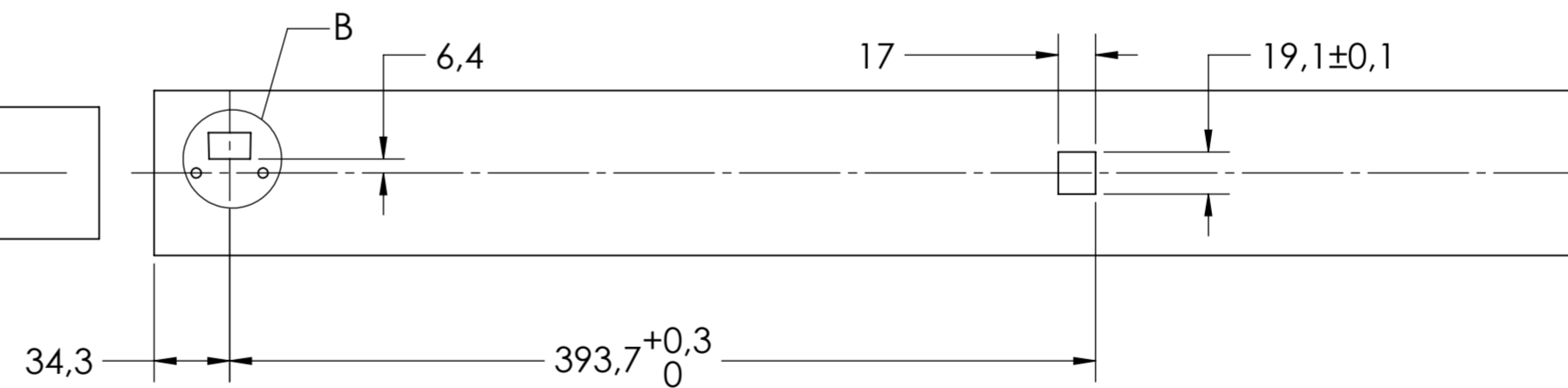
X



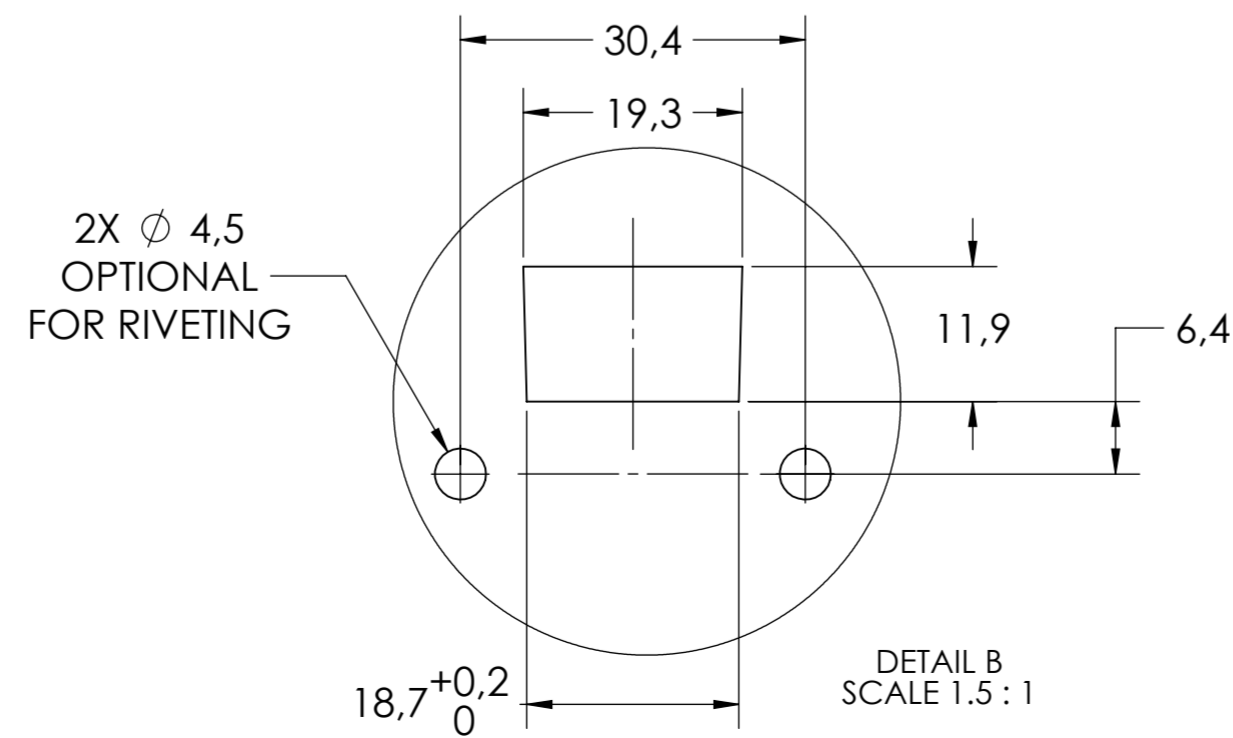
DRAWER MOUNTING CUTOUTS



CABINET MOUNTING CUTOUTS



DETAIL A
SCALE 1:1



DETAIL B
SCALE 1.5:1

PULL OUT FORCE: 24N ± 2N (5.4 lbf. ± 0.5 lbf.)

general tolerances		DIN ISO 128-30 missing dimensions see 3D = theor. intersection	
ISO 2768-m			
This drawing remains our property and may not be multiplied neither be disclosed to third parties (§§1,3 and 5 from the copyright Act (UrhG)) covered according to DIN ISO 16016			
(k)	scale:	1:3	surface: A2
(l)	date	14-06-2019	name: HB
(m)	drawn	14-06-2019	name: HB
(n)	proven	00-00-0000	00
(o)	Fulterer		material, semi finished parts: STEEL (technical requirements Fulterer)
(p)			description: SIDE MOUNT OVER EXTENSION SMT (0.9) SLIDE WITH SOFT CLOSE & DRAWER DISCONNECT
(q)	Fulterer AG & Co KG A-6890 Lustenau / Austria		drawing number: 5210.650-GA.T106
(r)	Fulterer AG CH-9430 St. Margrethen		replaces version date:
(s)	ind. changes	date	na.