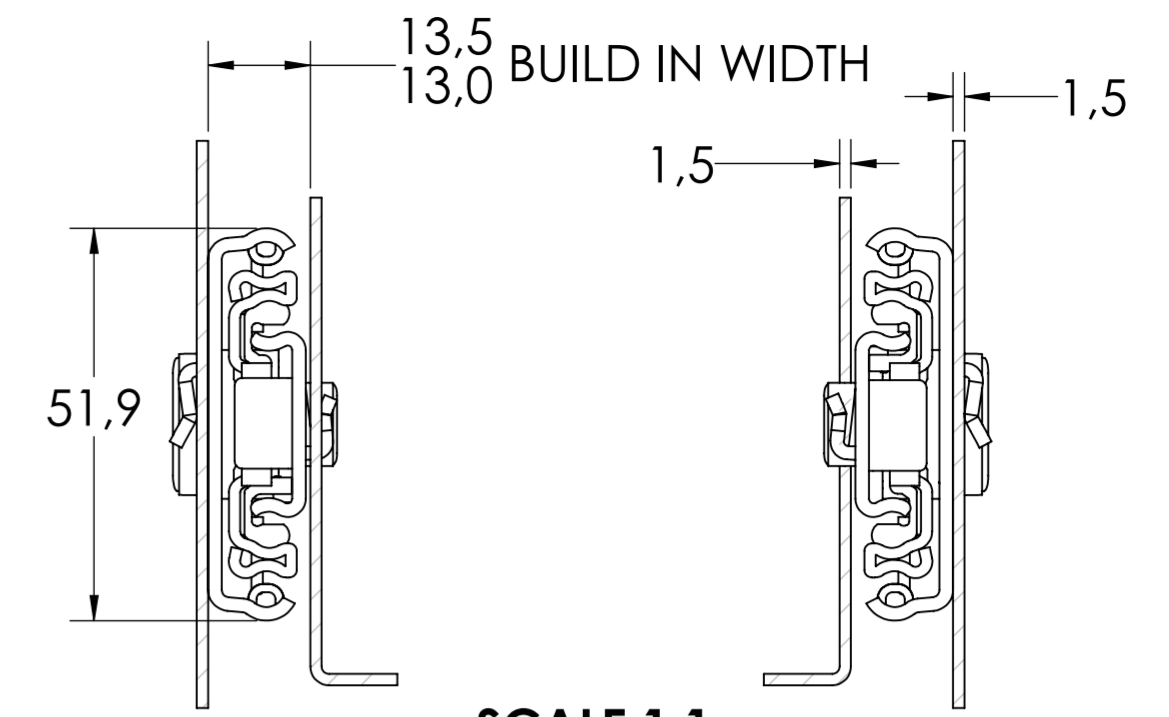
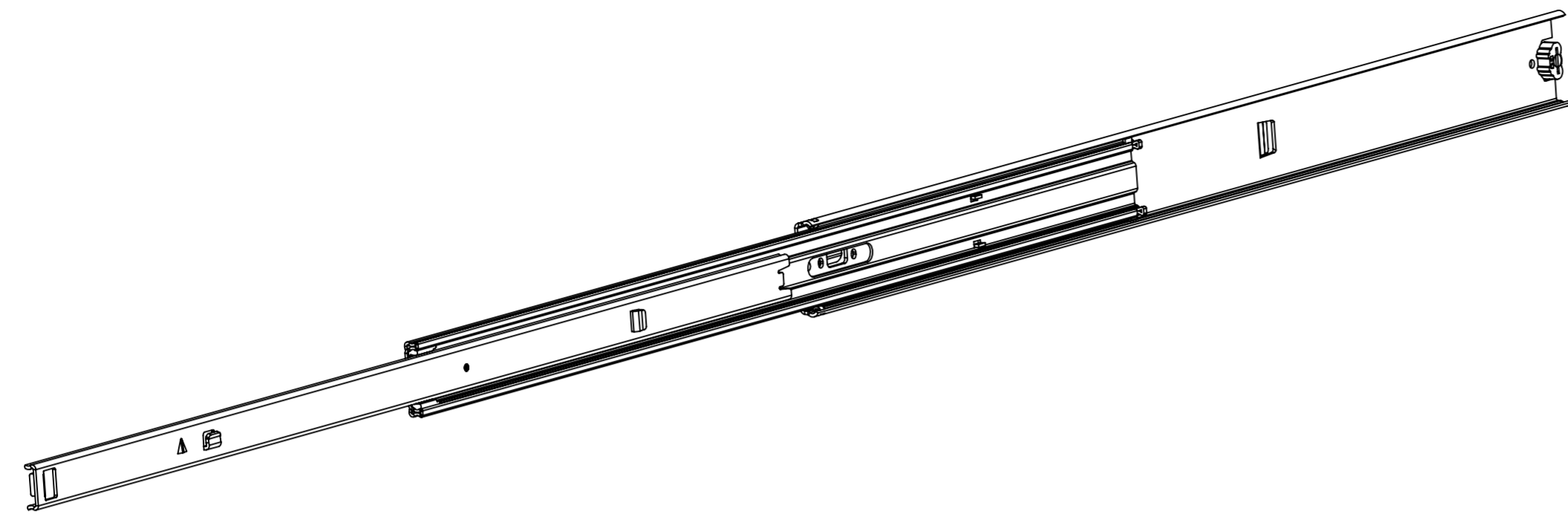
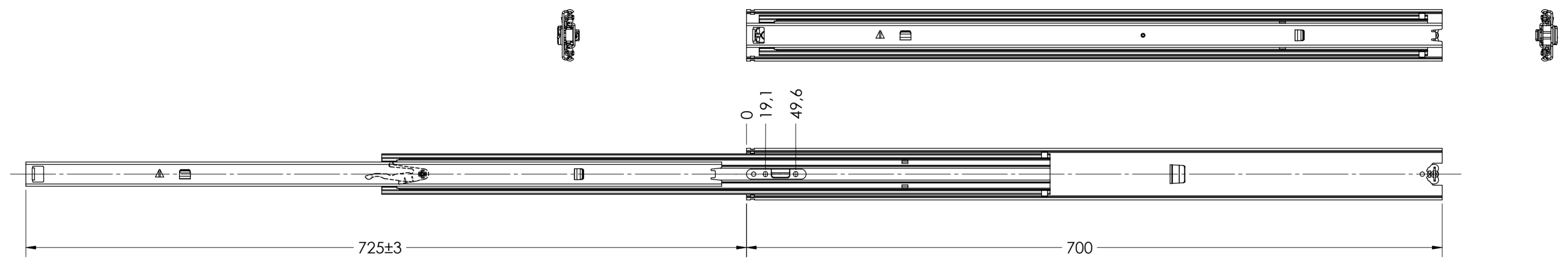


5210.700-GA.T103

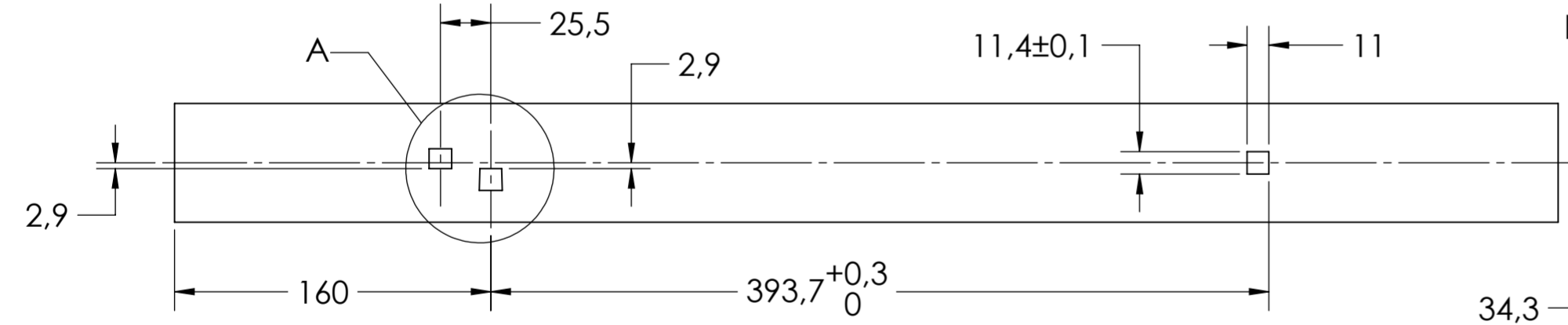
X



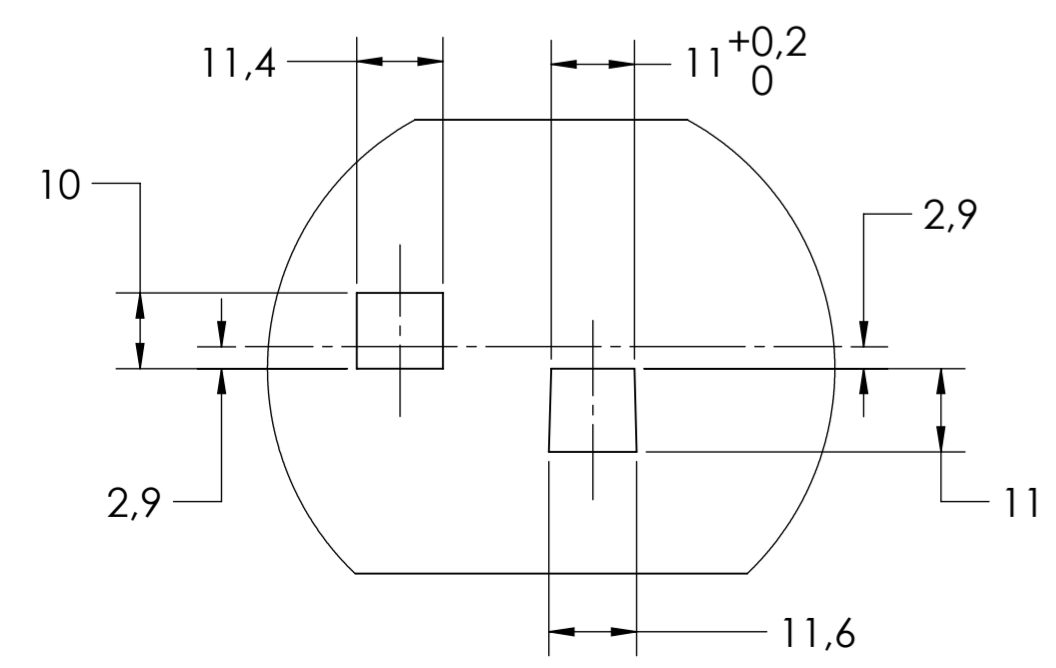
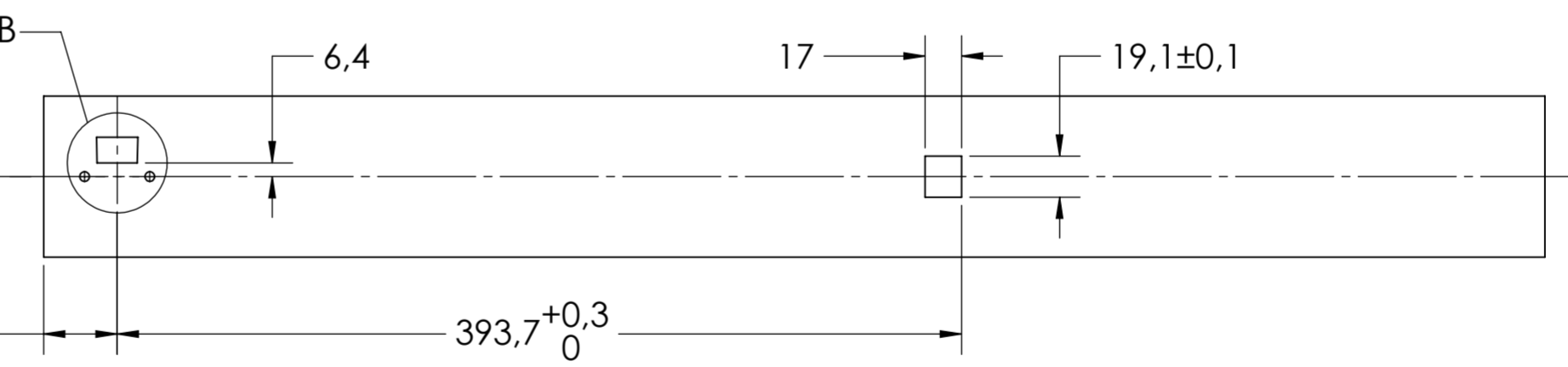
SCALE 1:1



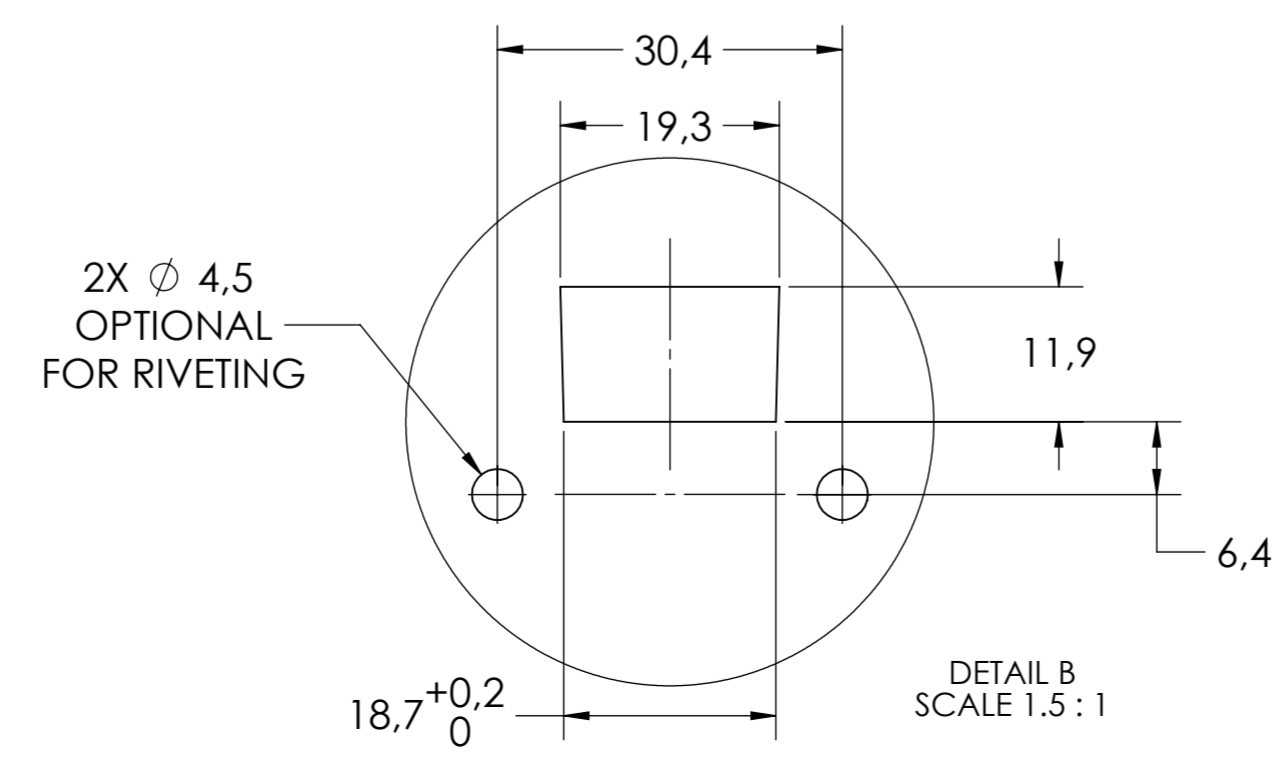
DRAWER MOUNTING CUTOUTS



CABINET MOUNTING CUTOUTS



DETAIL A
SCALE 1:1



DETAIL B
SCALE 1.5:1

2X Ø 4.5
OPTIONAL
FOR RIVETING

general tolerances		DIN ISO 128-30 missing dimensions see 3D = theor. intersection	
ISO 2768-m			
This drawing remains our property and may not be multiplied neither be disclosed to third parties (§§1,3 and 5 from the copyright Act (UrhG)) covered according to DIN ISO 16016			
(k)		scale:	material: semi finished parts: A2
(l)		1:3	STEEL
(m)		date	(technical requirements Fulterer)
(n)		drawn 08-03-2019	name HB
(o)		proven 00-00-0000	00
(p)		Fulterer	
(q)			
(r)		description: SIDE MOUNT OVER EXTENSION SMT (1.5) DRAWER SLIDE WITH DRAWER DISCONNECT	
(s)		drawing number: 5210.700-GA.T103	
(t)		replaces version date:	
(u)		Fulterer AG & Co KG A-6890 Lustenau / Austria	
(v)		Fulterer AG CH-9430 St. Margrethen	
(w)	0	00-00-0000	0
(x)	ind.	changes	date na.