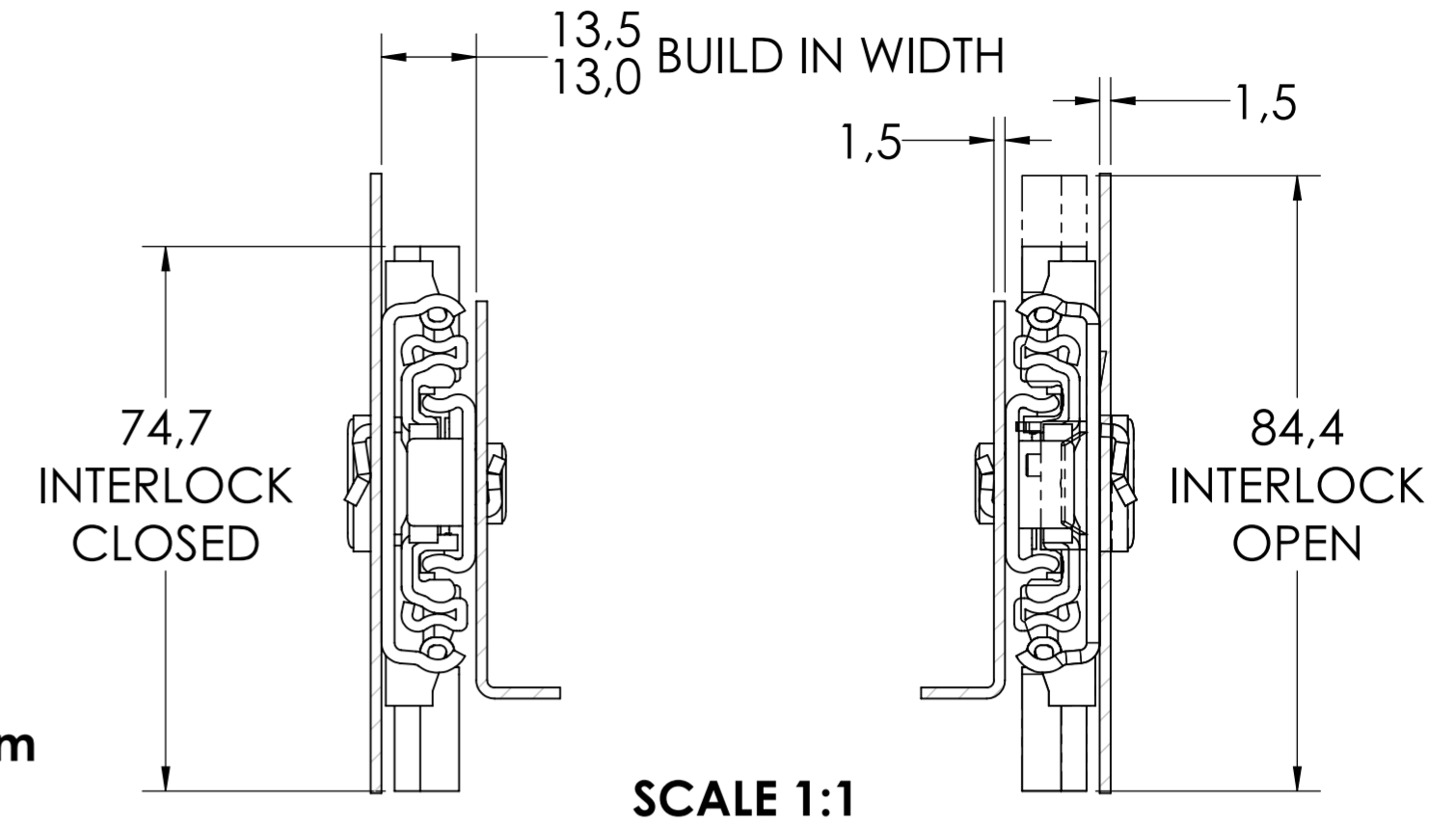


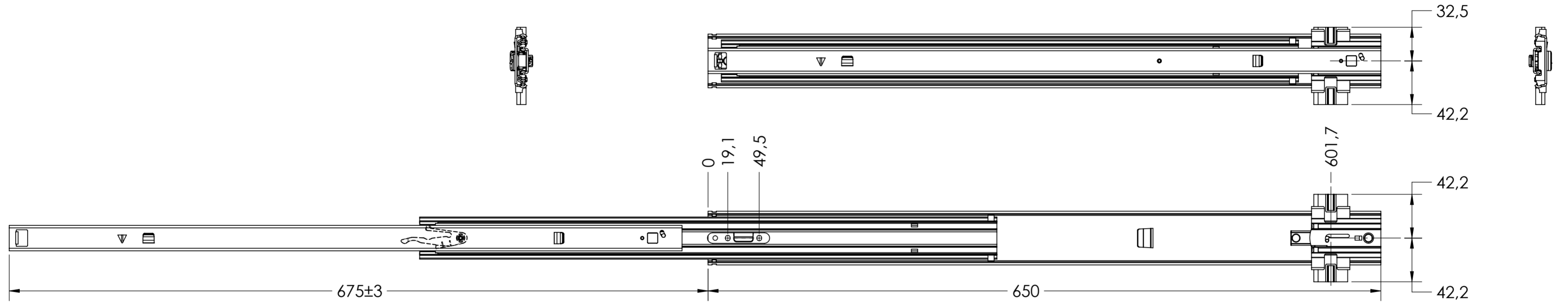
**ROD LENGTH  $L^{+0}_{-0.5} = A-44$**

$\phi$  5mm ROD  
**FULTERER PART NUMBER 400246**

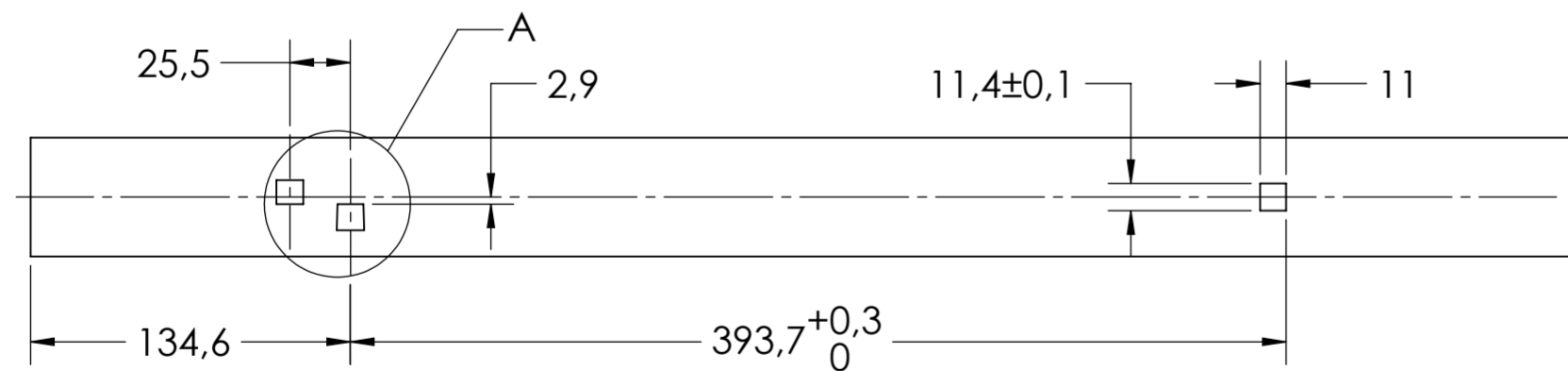
RECOMMENDED MIN. DISTANCE "A" = 90mm



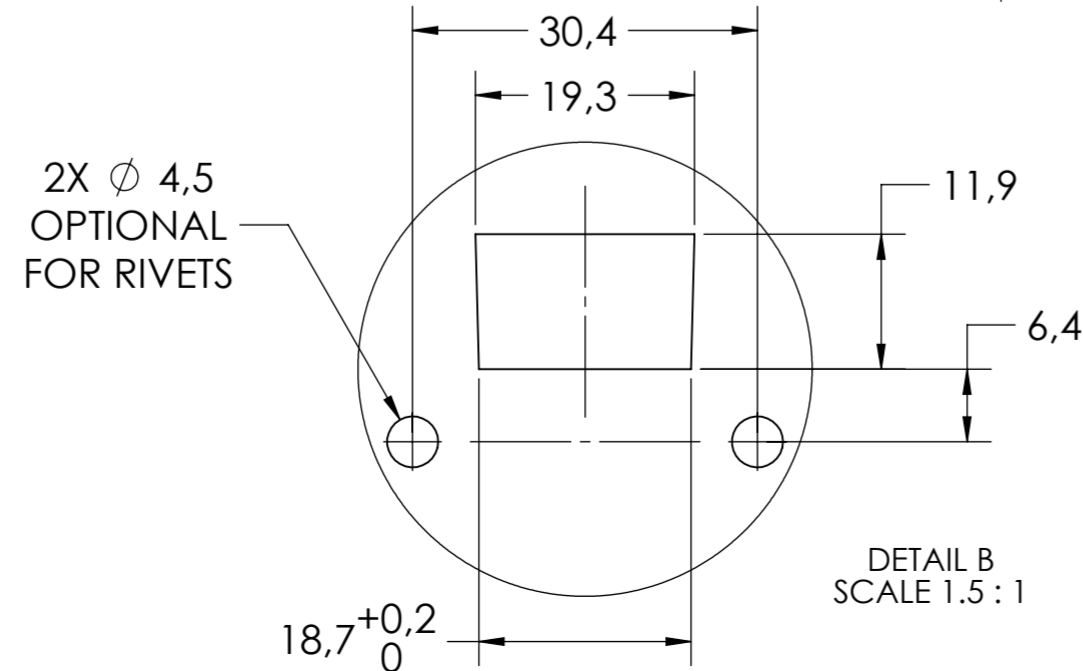
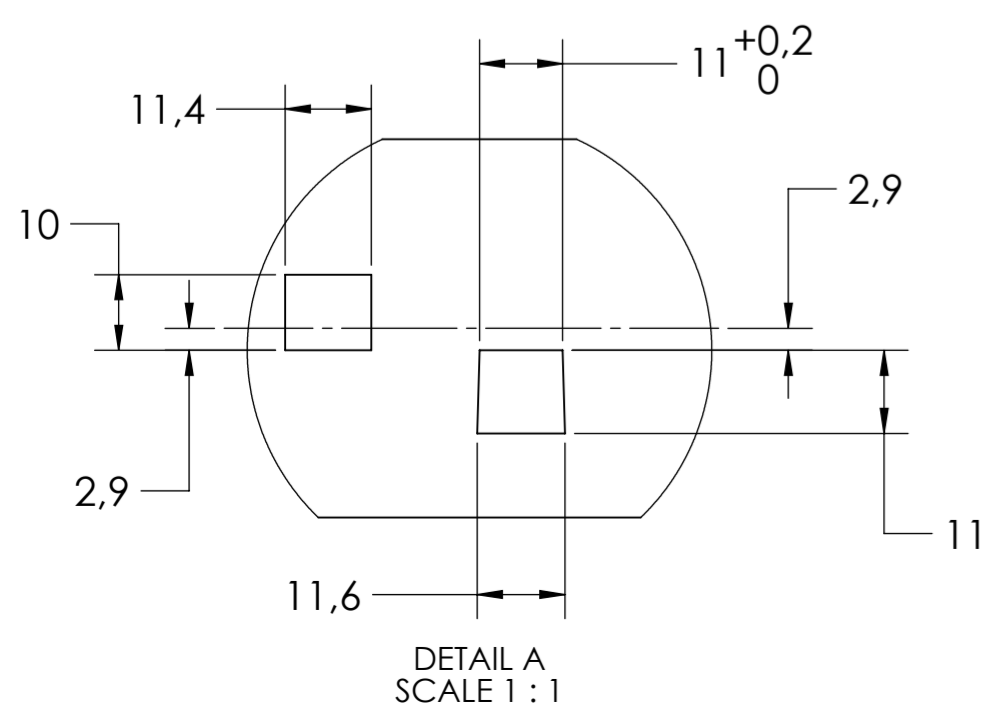
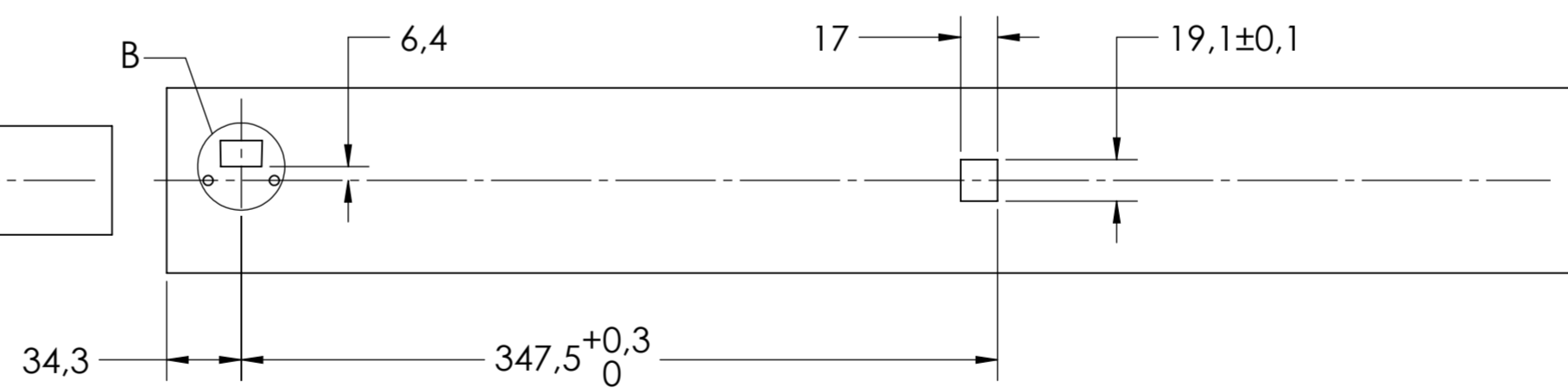
**SCALE 1:1**



**DRAWER MOUNTING CUTOUTS**



**CABINET MOUNTING CUTOUTS**



2X  $\phi$  4.5  
OPTIONAL  
FOR RIVETS

general tolerances		DIN ISO 128-30 missing dimensions see 3D = theor. intersection	
ISO 2768-m			
This drawing remains our property and may not be multiplied neither be disclosed to third parties (§§1,3 and 5 from the copyright Act (UrhG)) covered according to DIN ISO 16016			
scale: 1:3		surface: A2	
drawn: 11-06-2019		name: HB	
proven: 00-00-0000		00	
<b>Fulterer</b>		material, semi finished parts: STEEL (technical requirements Fulterer)	
description: SIDE MOUNT OVER EXTENSION SMT (1.5) INTERLOCKING SLIDE WITH DRAWER DISCONNECT		drawing number: 5219.650-GA.T120	
Fulterer AG & Co KG A-6890 Lustenau / Austria		replaces version date:	
Fulterer AG CH-9430 St. Margrethen			
ind.	changes	date	na.