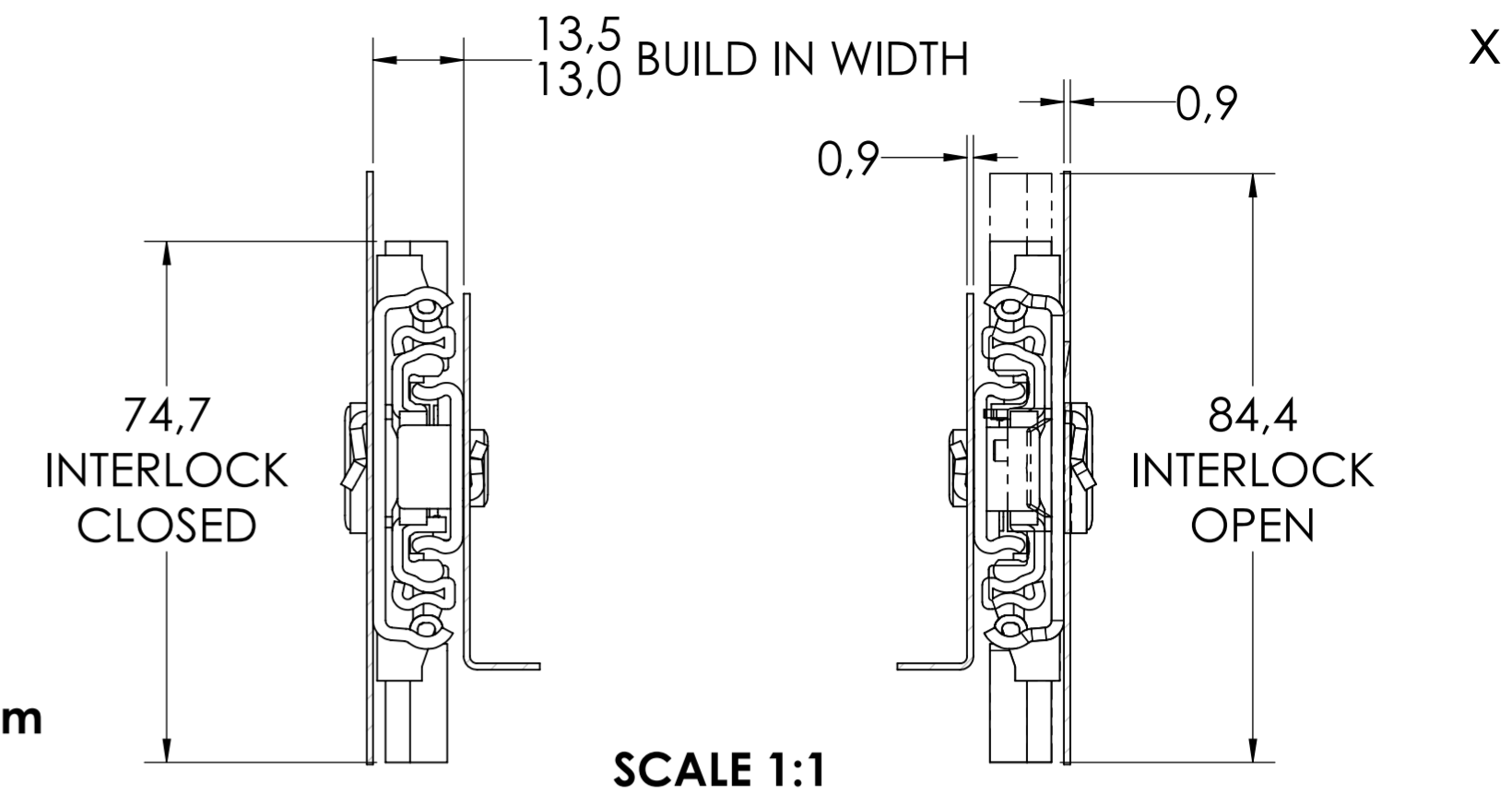


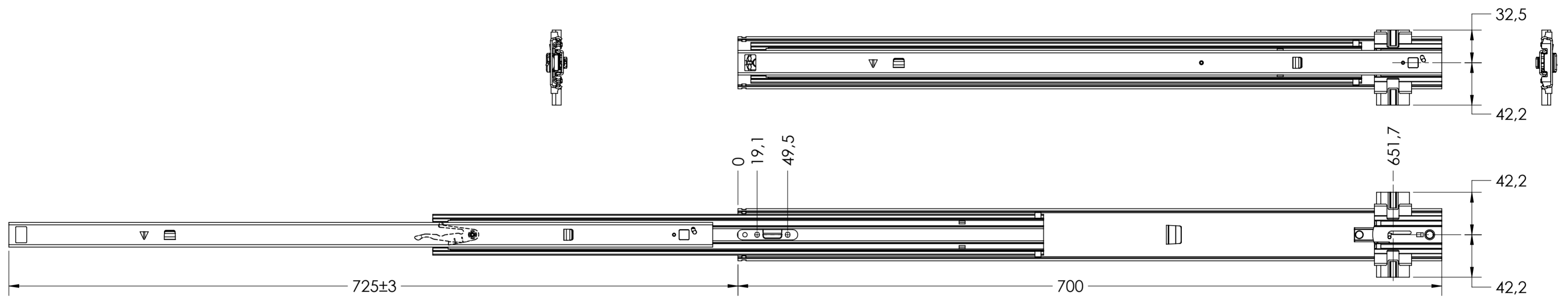
ROD LENGTH $L^{+0}_{-0.5} = A-44$
 ϕ 5mm ROD
FULTERER PART NUMBER 400246

RECOMMENDED MIN. DISTANCE "A" = 90mm

SCALE 1:4
 NOTE: 400MM LENGTH SHOWN

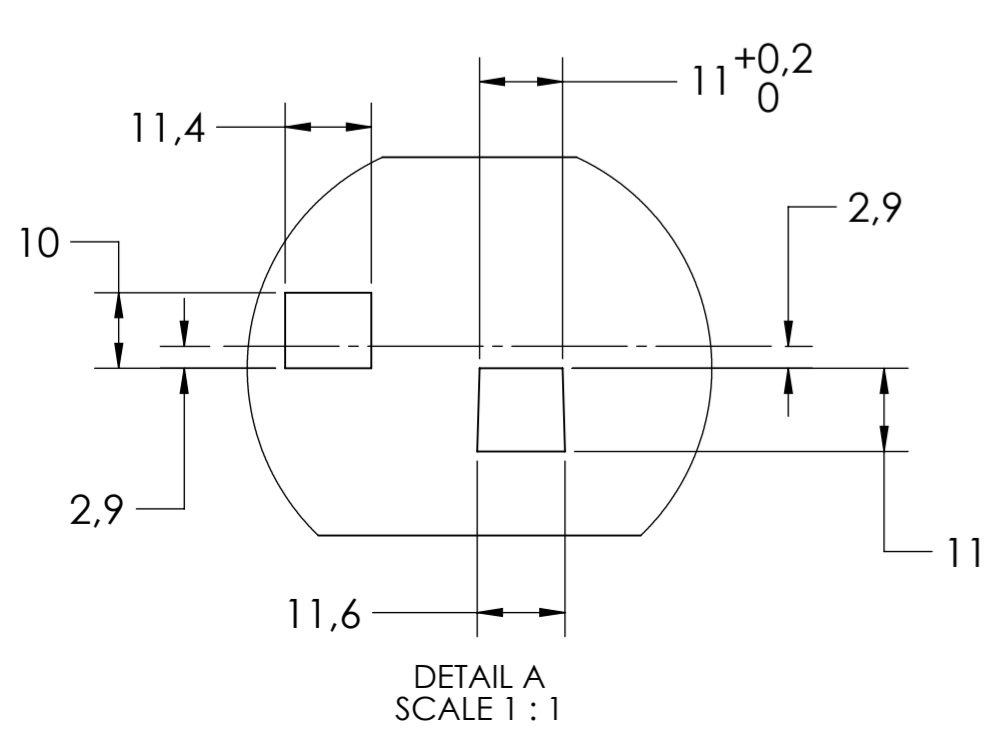
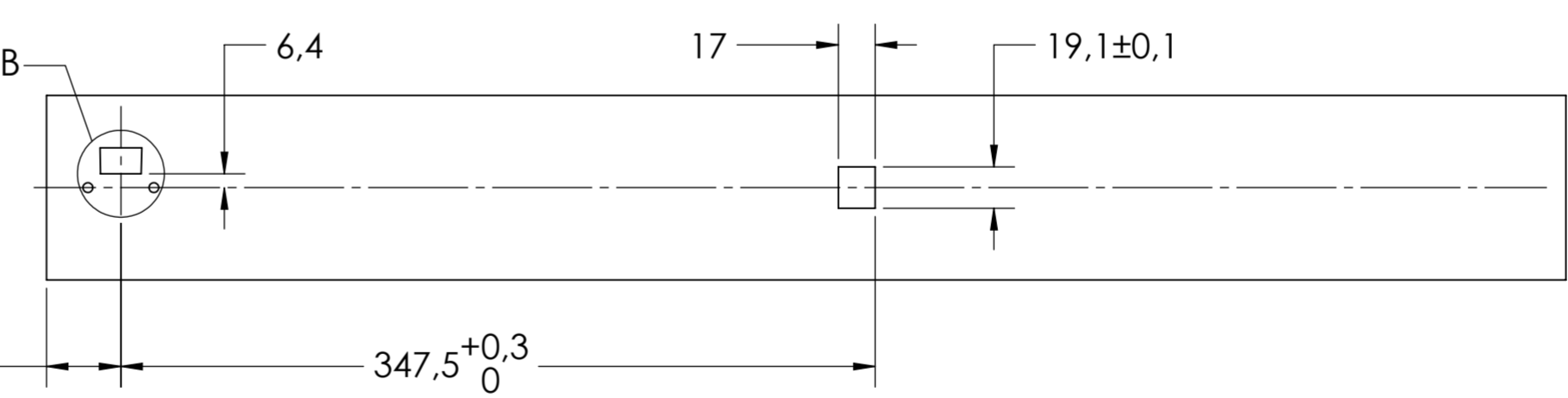
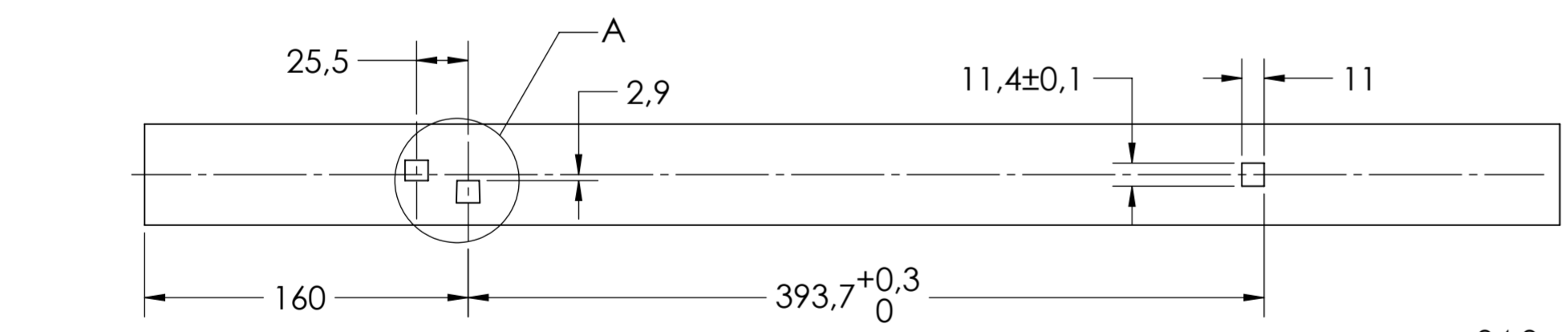


SCALE 1:1

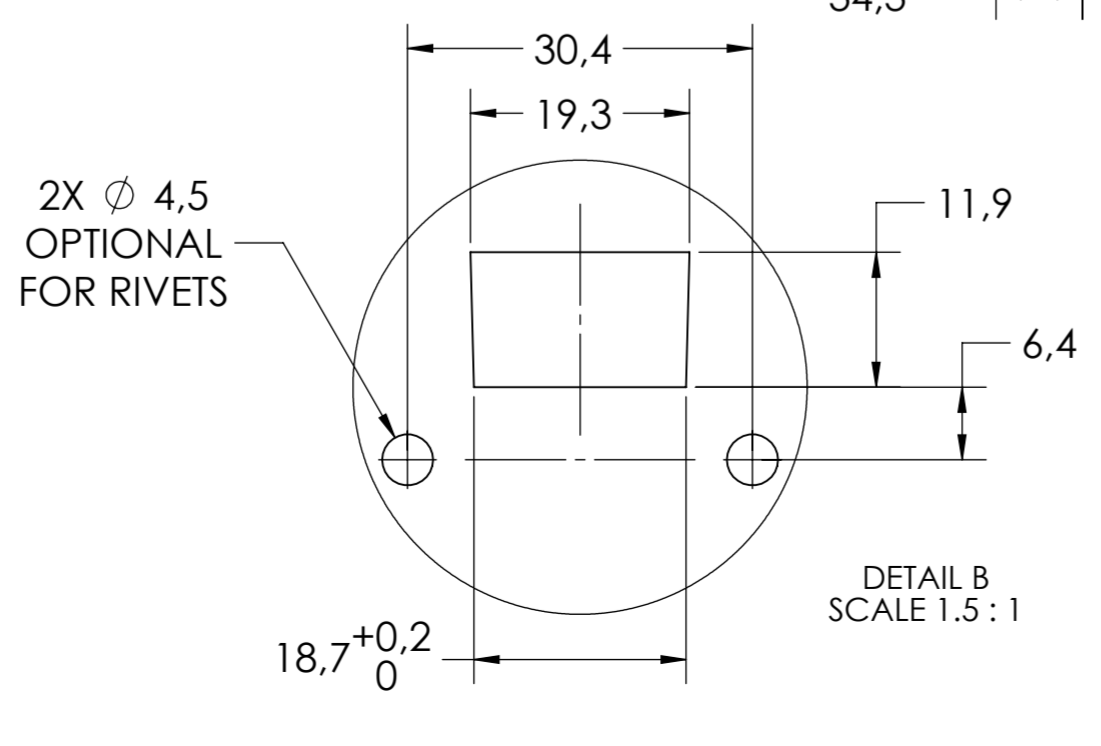


DRAWER MOUNTING CUTOUTS

CABINET MOUNTING CUTOUTS



DETAIL A
 SCALE 1:1



DETAIL B
 SCALE 1.5:1

general tolerances		DIN ISO 128-30 missing dimensions see 3D = theor. intersection	
ISO 2768-m			
This drawing remains our property and may not be multiplied neither be disclosed to third parties (§§1,3 and 5 from the copyright Act (UrhG)) covered according to DIN ISO 16016			
(k)	scale:	1:3	surface:
(l)	date:	29-07-2019	name:
(m)	drawn:	HB	description:
(n)	proven:	00-00-0000	00
(o)	Fulterer		drawing number: 5219.700-GA.T119
(p)			
(q)	Fulterer AG CH-9430 St. Margrethen		replaces version date:
(r)	ind. changes	date	na.