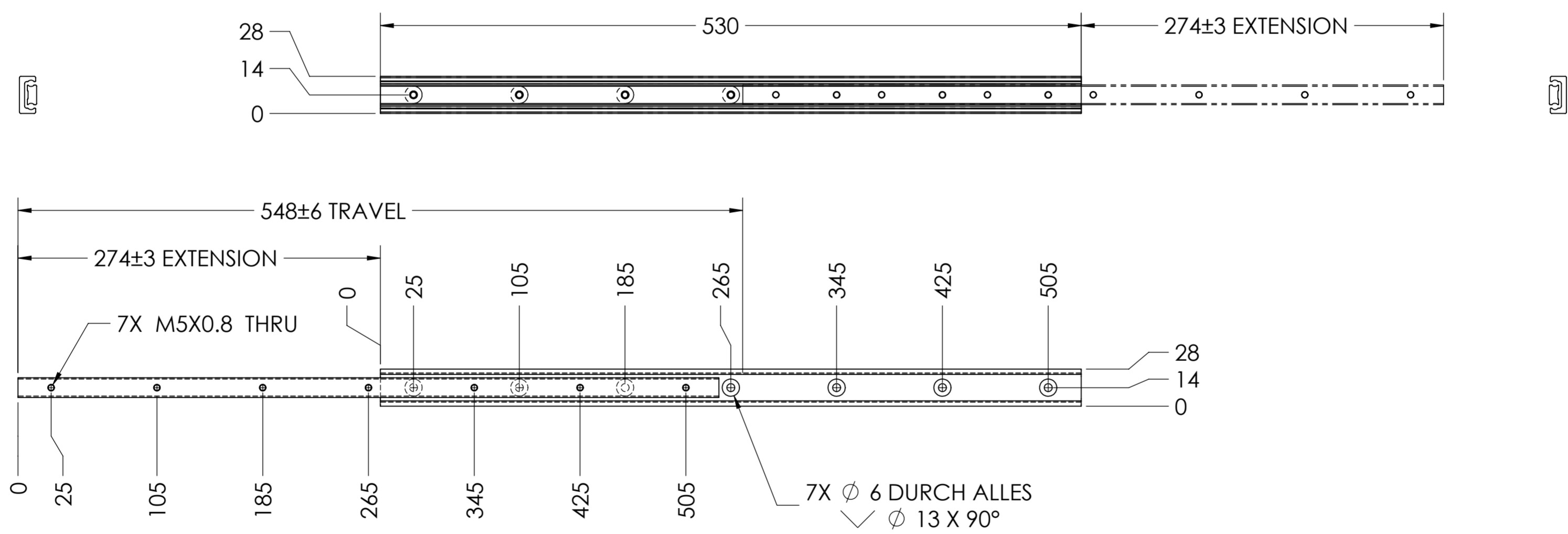


SCALE 1:1



RECOMMENDED HARDWARE:
 CABINET- M5 FLAT HEAD SCREWS
 DRAWER- M5 x .8 SCREWS

X

general tolerances		DIN ISO 128-30 missing dimensions see 3D = theor. intersection	
ISO 2768-m			
This drawing remains our property and may not be multiplied neither be disclosed to third parties (§§1,3 and 5 from the copyright Act (UrhG)) covered according to DIN ISO 16016			
(k)	scale:	1:31:3	surface:
(l)	date	23-07-2018	name
(m)	drawn	HB	description:
(n)	proven	00-00-0000	00
(o)	Fulterer		TWO-WAY TRAVEL SIDE MOUNT
(p)			TWO-WAY TRAVEL SIDE MOUNT
(q)	Fulterer AG & Co KG		drawing number:
(r)	A-6890 Lustenau / Austria		5328.530-GA.T091
(s)	Fulterer AG		replaces version date:
(t)	CH-9430 St. Margrethen		
(u)	changes	date	na.