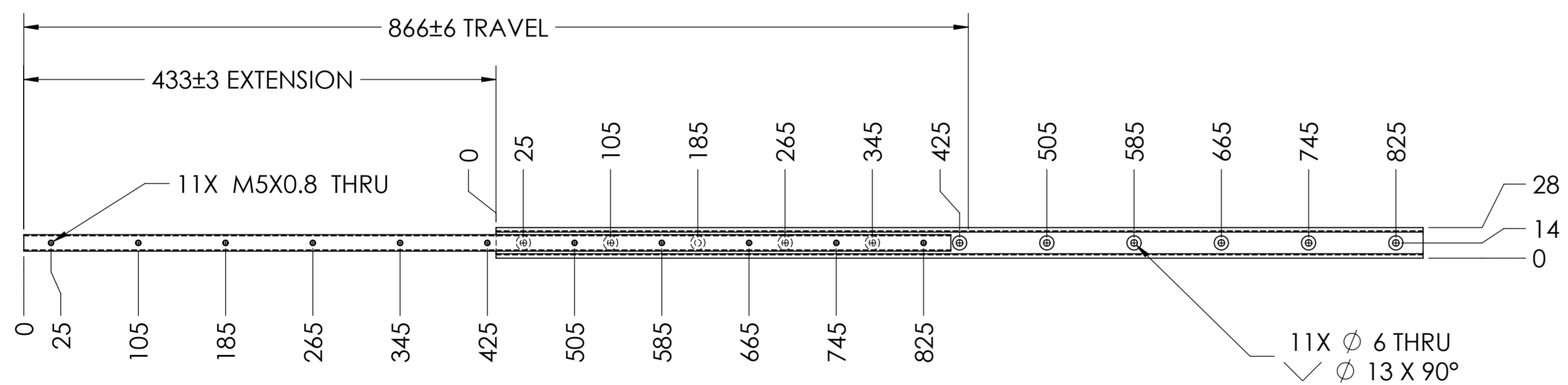
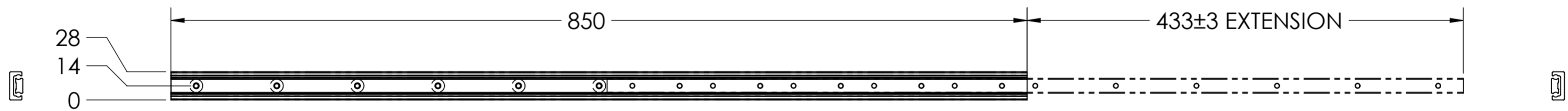


SCALE 1:1



RECOMMENDED HARDWARE:
 CABINET- M5 FLAT HEAD SCREWS
 DRAWER- M5 x .8 SCREWS

X

general tolerances		DIN ISO 128-30 missing dimensions see 3D = theor. intersection	
ISO 2768-m			
This drawing remains our property and may not be multiplied neither be disclosed to third parties (§§1,3 and 5 from the copyright Act (UrhG)) covered according to DIN ISO 16016			
(k)	(l)	scale:	surface:
		1:41:4	
(h)	(i)	date	name
(g)	(f)	drawn 23-07-2018	HB
(e)	(d)	proven 00-00-0000	00
(c)	(b)	Fulterer	
(a)	0		
ind.	changes	date	na.
		Fulterer AG & Co KG A-6890 Lustenau / Austria Fulterer AG CH-9430 St. Margrethen	
		material, semi finished parts: STEEL (technical requirements Fulterer) description: TWO-WAY TRAVEL SIDE MOUNT TWO-WAY TRAVEL SIDE MOUNT SUPER HEAVY DUTY SLIDE drawing number: 5328.850-GA.T091 replaces version date:	