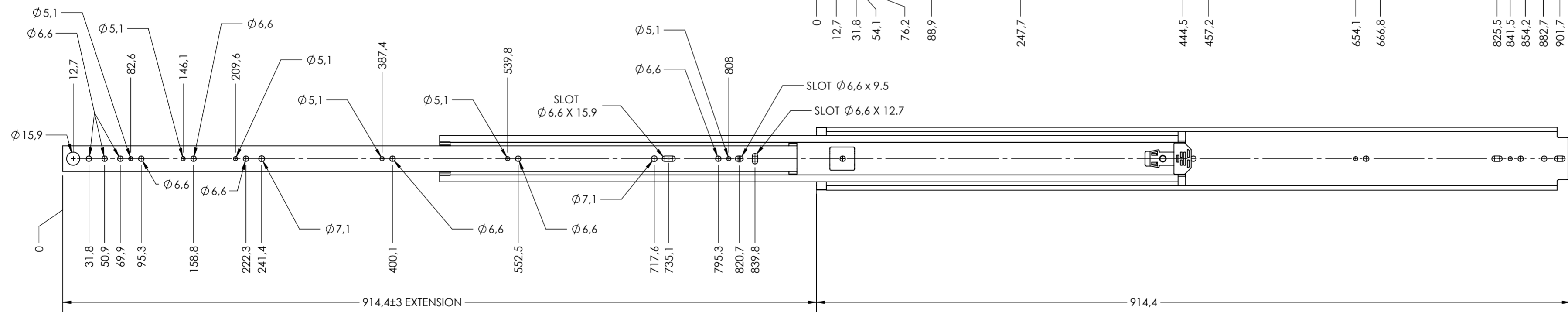
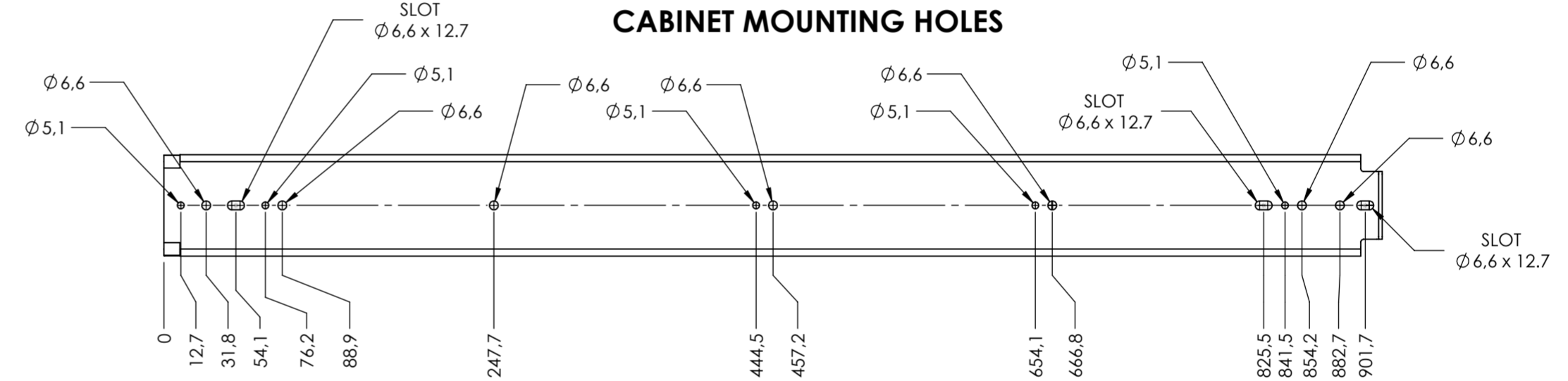


CABINET MOUNTING HOLES



RECOMMENDED HARDWARE:
 CABINET- M6 OR 1/4 BUTTON HEAD SCREWS
 DRAWER- M6 OR 1/4 BUTTON HEAD SCREWS

general tolerances		DIN ISO 128-30	
ISO 2768-m		missing dimensions see 3D = theor. intersection	
This drawing remains our property and may not be multiplied neither be disclosed to third parties (§§1,3 and 5 from the copyright Act (UrhG)) covered according to DIN ISO 16016			
(k)	scale:	1:4	surface:
(l)	date:	27-07-2018	name:
(m)	drawn:	HB	description:
(n)	proven:	00-00-0000	00
(o)	Fulterer		FULL EXTENSION SIDE MOUNT HEAVY DUTY DRAWER SLIDE NON-DISCONNECT
(p)			
(q)	Fulterer AG & Co KG		STEEL
(r)	A-6890 Lustenau / Austria		(technical requirements Fulterer)
(s)	Fulterer AG		drawing number:
(t)	CH-9430 St. Margrethen		5400.36-GA.T018
(u)	UPDATE TITLE BLOCK	19-03-2019	replaces version date:
(v)	changes	date	na.