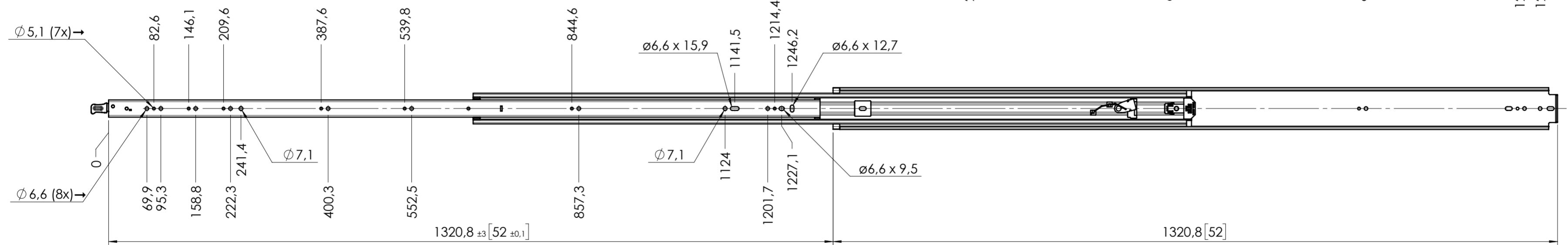
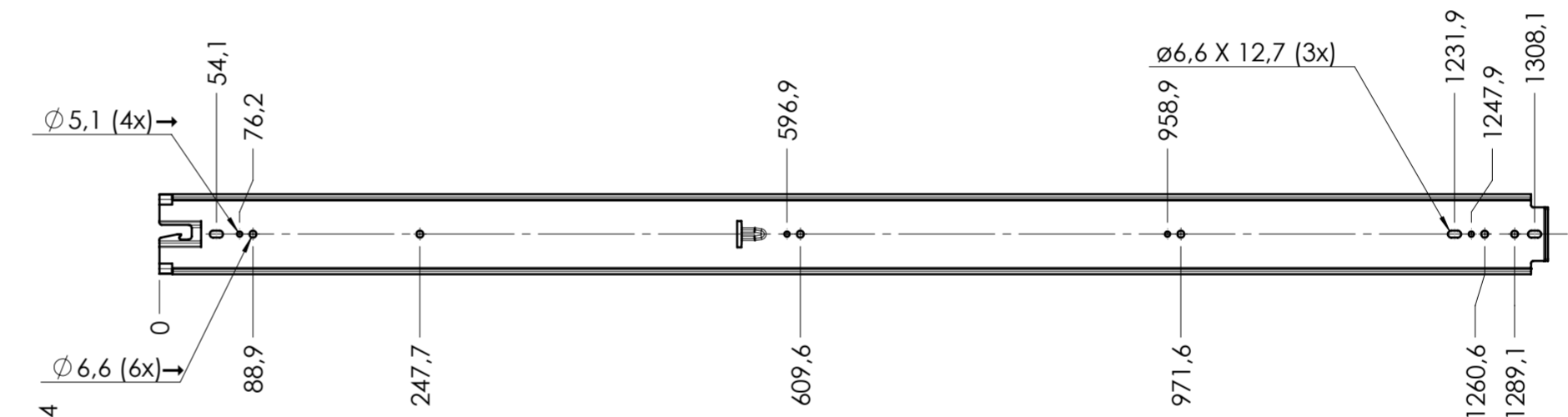


CABINET MOUNTING HOLES



RECOMMENDED HARDWARE:
 CABINET- M6 OR 1/4 BUTTON HEAD SCREWS
 DRAWER- M6 OR 1/4 BUTTON HEAD SCREWS

general tolerances		DIN ISO 128-30	
ISO 2768-m		missing dimensions see 3D = theor. intersection	
This drawing remains our property and may not be multiplied neither be disclosed to third parties (§§1,3 and 5 from the copyright Act (UrhG)) covered according to DIN ISO 16016			
(k) (l) (i) (h) (g) (f) (e) (d) (c) (b) (a)	scale:	surface:	material, semi finished parts:
	1:6		STEEL (technical requirements Fulterer)
	date	name	description: FULL EXTENSION FLAT MOUNT HEAVY DUTY LOCK-IN/LOCK OUT NON-DISCONNECT SLIDE
	drawn 27-05-2020	MW	
	proven 00-00-0000	00	
		drawing number: 5400.52-GA.T054	
Fulterer AG & Co KG A-6890 Lustenau / Austria Fulterer AG CH-9430 St. Margrethen		replaces version date:	
ind.	changes	date	na.