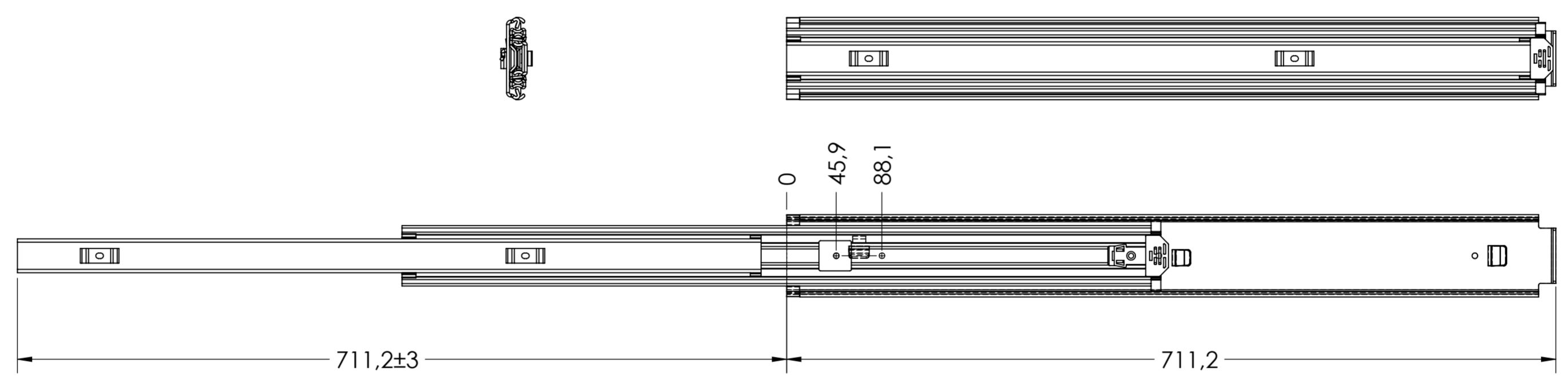
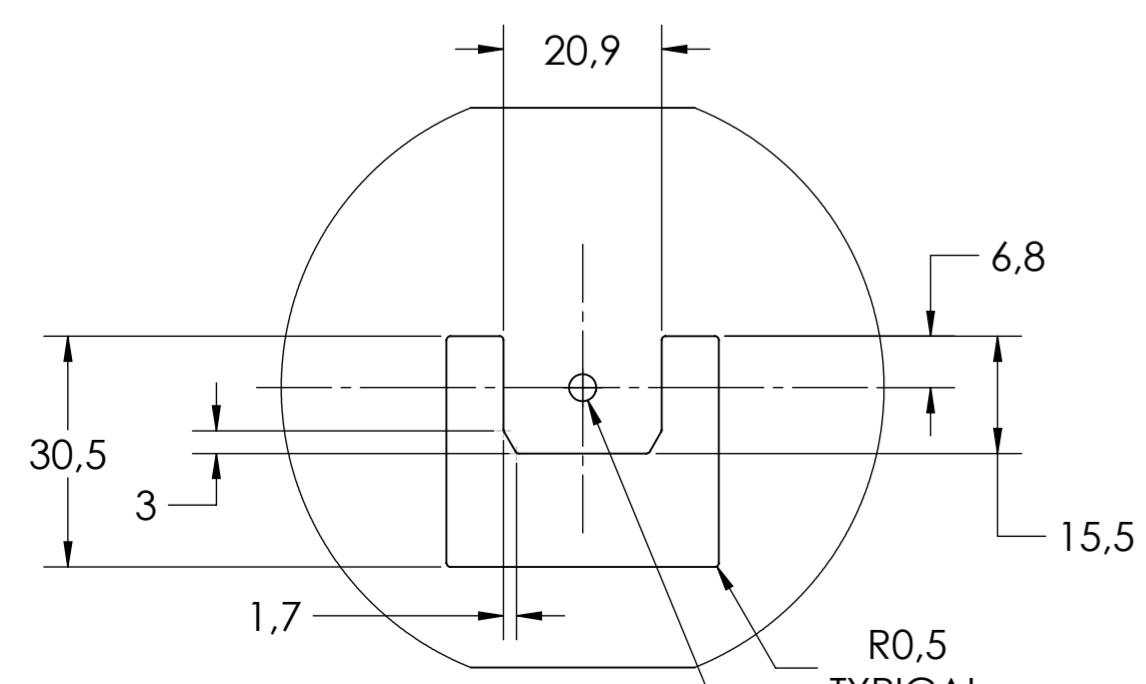
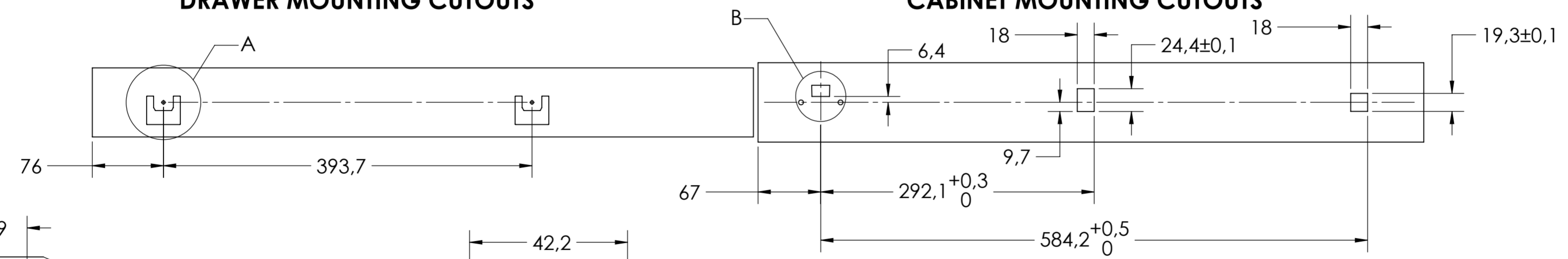


SCALE 1:1

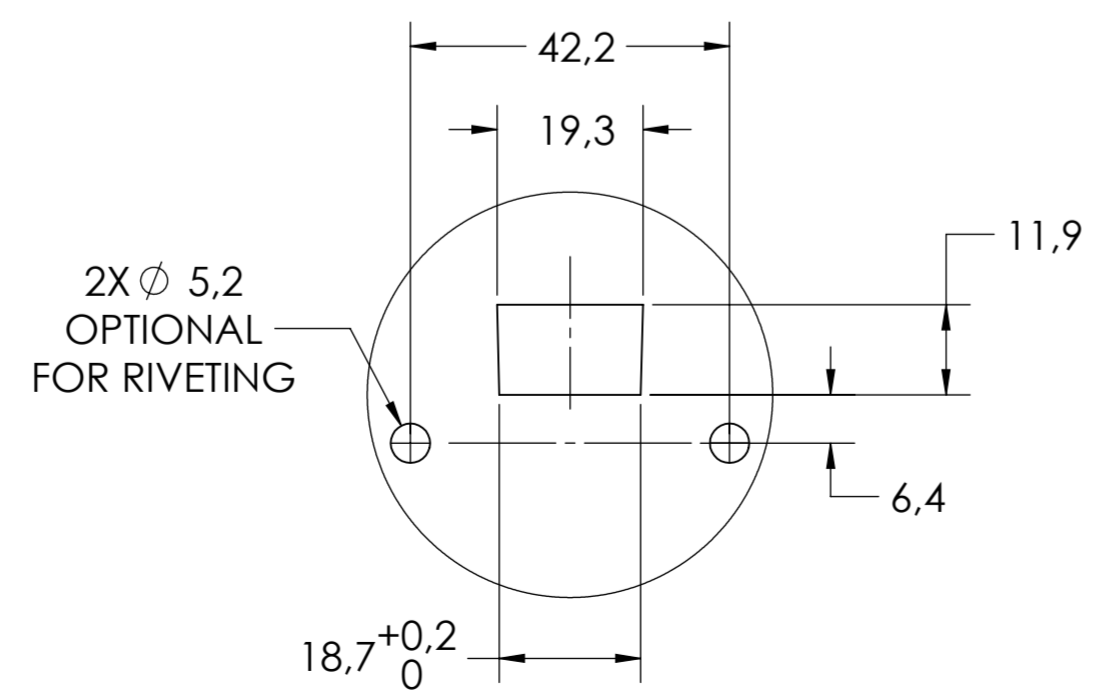


DRAWER MOUNTING CUTOUTS

CABINET MOUNTING CUTOUTS



DETAIL A  
SCALE 1:1



DETAIL B  
SCALE 1:1

general tolerances		DIN ISO 128-30 missing dimensions see 3D = theor. intersection	
ISO 2768-m			
This drawing remains our property and may not be multiplied neither be disclosed to third parties (§§1,3 and 5 from the copyright Act (UrhG)) covered according to DIN ISO 16016			
(k)		scale:	1:4
(l)		surface:	material, semi finished parts: A2
(m)		date	30-07-2019
(n)		name	HB
(o)		drawn	00-00-0000
(p)		proven	00
(q)		<b>Fulterer</b>	
(r)			
(s)		Fulterer AG & Co KG A-6890 Lustenau / Austria	
(t)		Fulterer AG CH-9430 St. Margrethen	
(u)	0	00-00-0000	0
(v)	changes	date	na.
		drawing number: <b>5400.28-GA.T114</b>	
		replaces version date:	