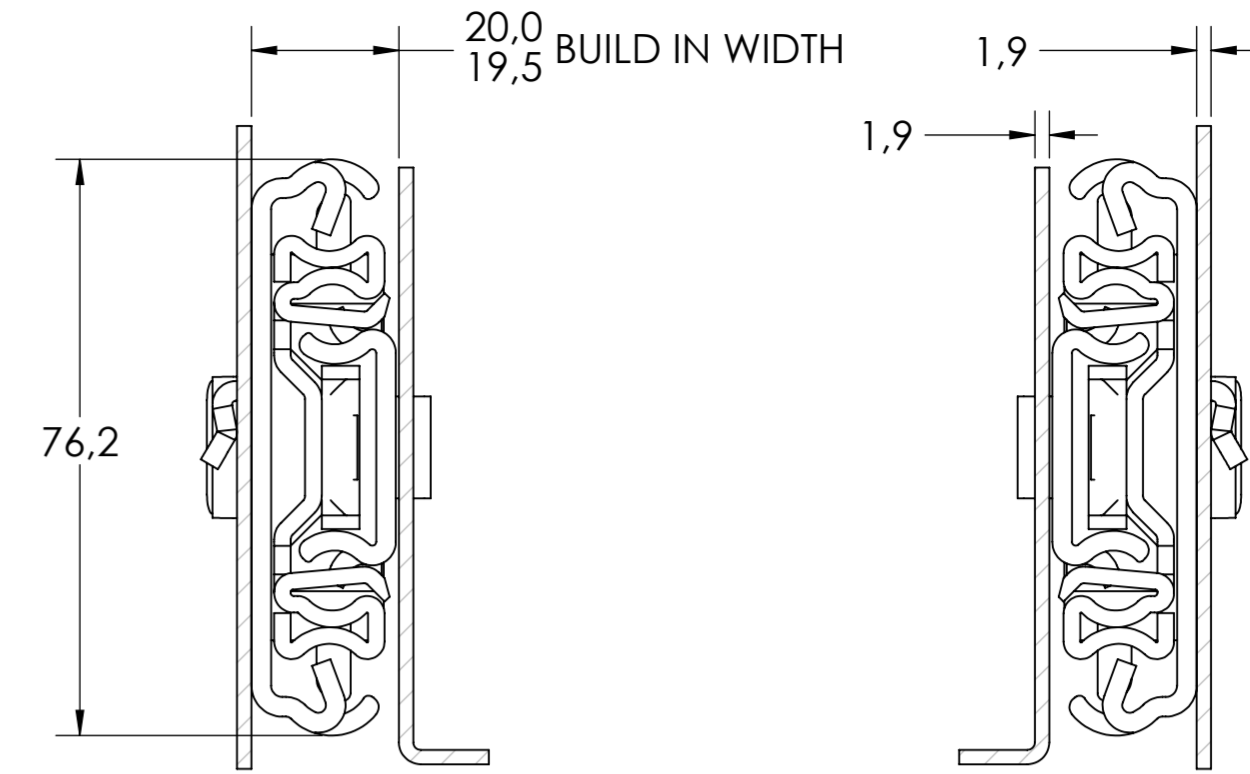
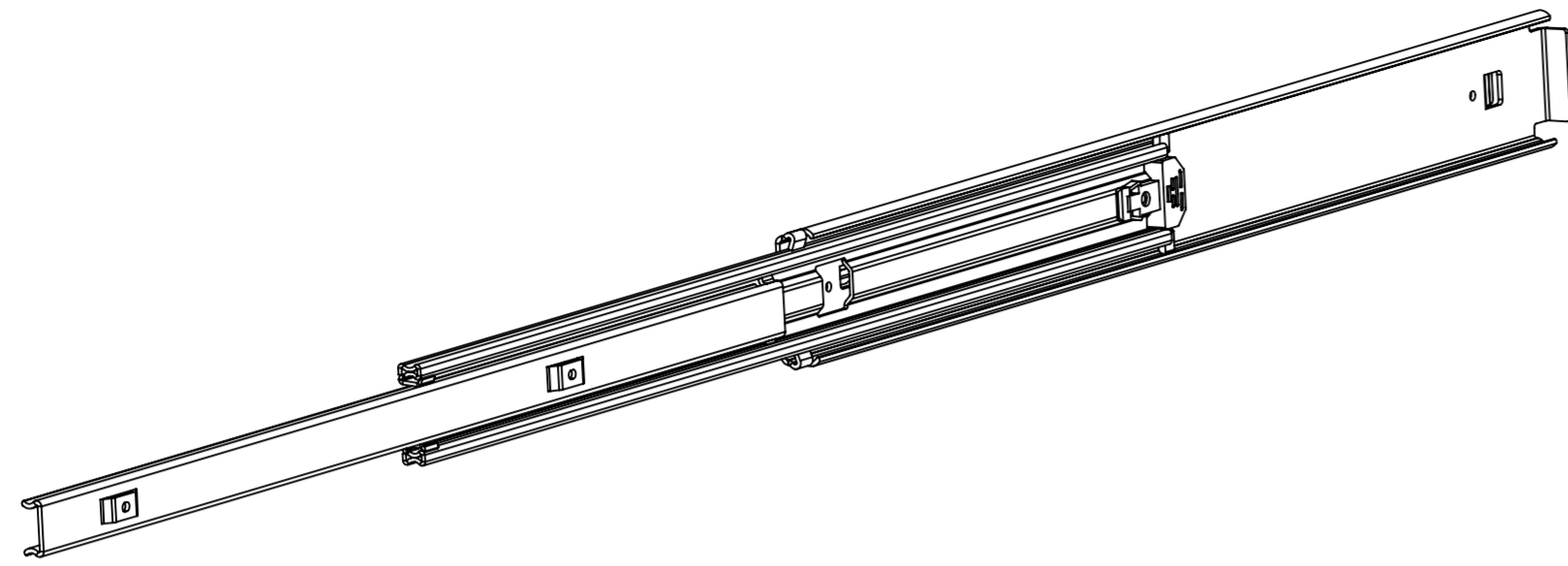
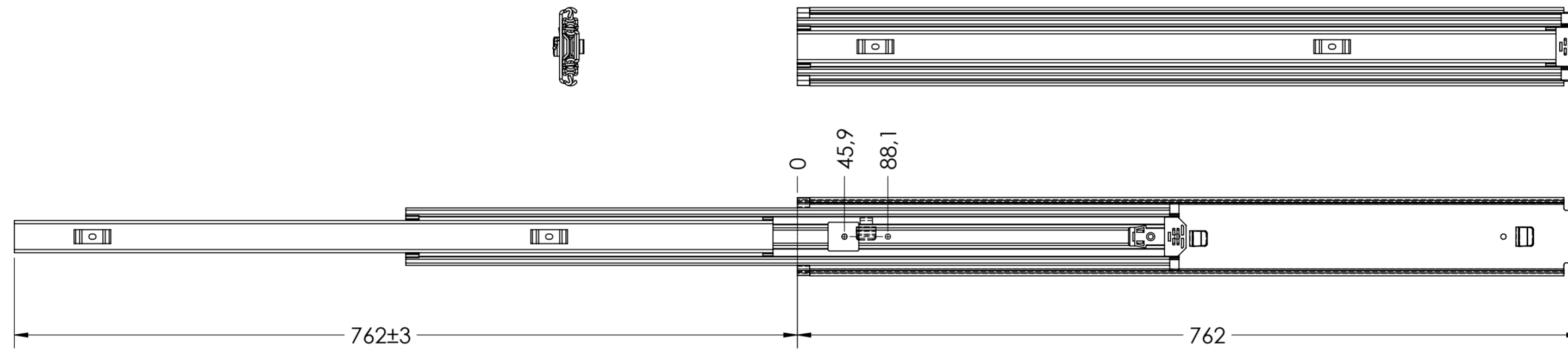


5400.30-GA.T115

X

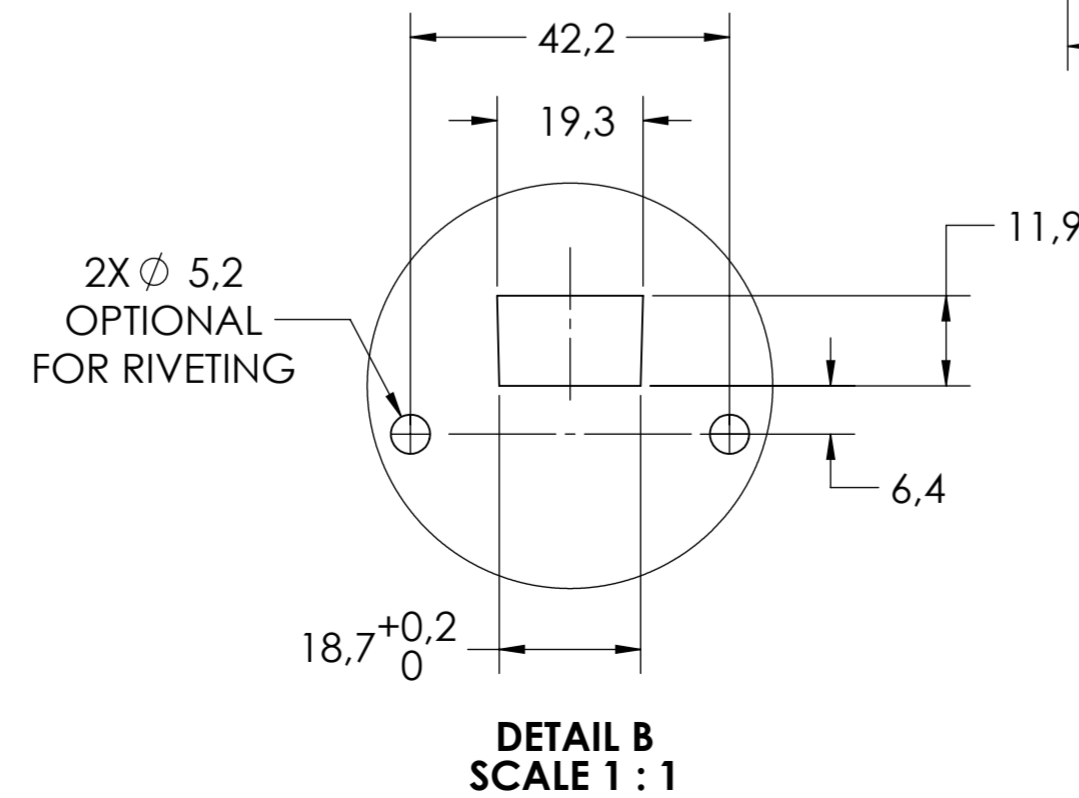
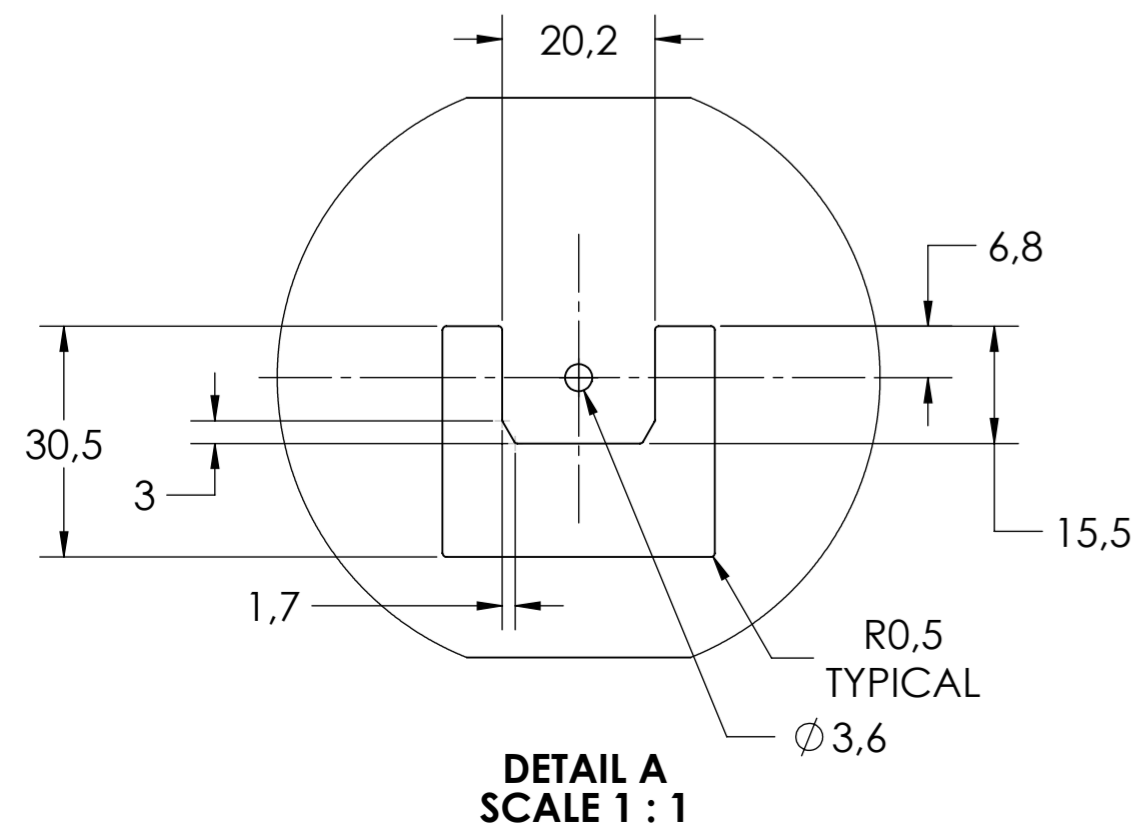
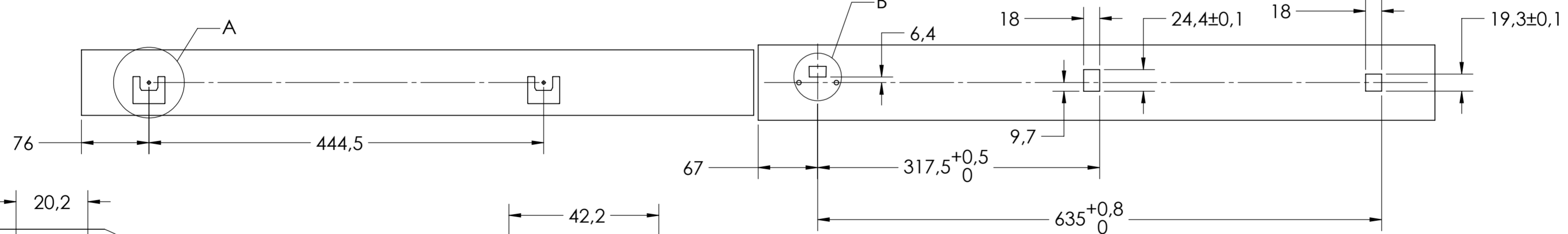


SCALE 1:1



DRAWER MOUNTING CUTOUTS

CABINET MOUNTING CUTOUTS



general tolerances		DIN ISO 128-30 missing dimensions see 3D = theor. intersection	
ISO 2768-m			
This drawing remains our property and may not be multiplied neither be disclosed to third parties (§§1,3 and 5 from the copyright Act (UrhG)) covered according to DIN ISO 16016			
scale: 1:4		surface: A2	
date: 31-05-2019		name: HB	
drawn: 00-00-0000		description: STEEL (technical requirements Fulterer)	
proven: 00-00-0000		drawing number: 5400.30-GA.T115	
drawing number: 5400.30-GA.T115		replaces version date:	
Fulterer AG & Co KG A-6890 Lustenau / Austria		drawing number: 5400.30-GA.T115	
Fulterer AG CH-9430 St. Margrethen		replaces version date:	
ind.	changes	date	na.