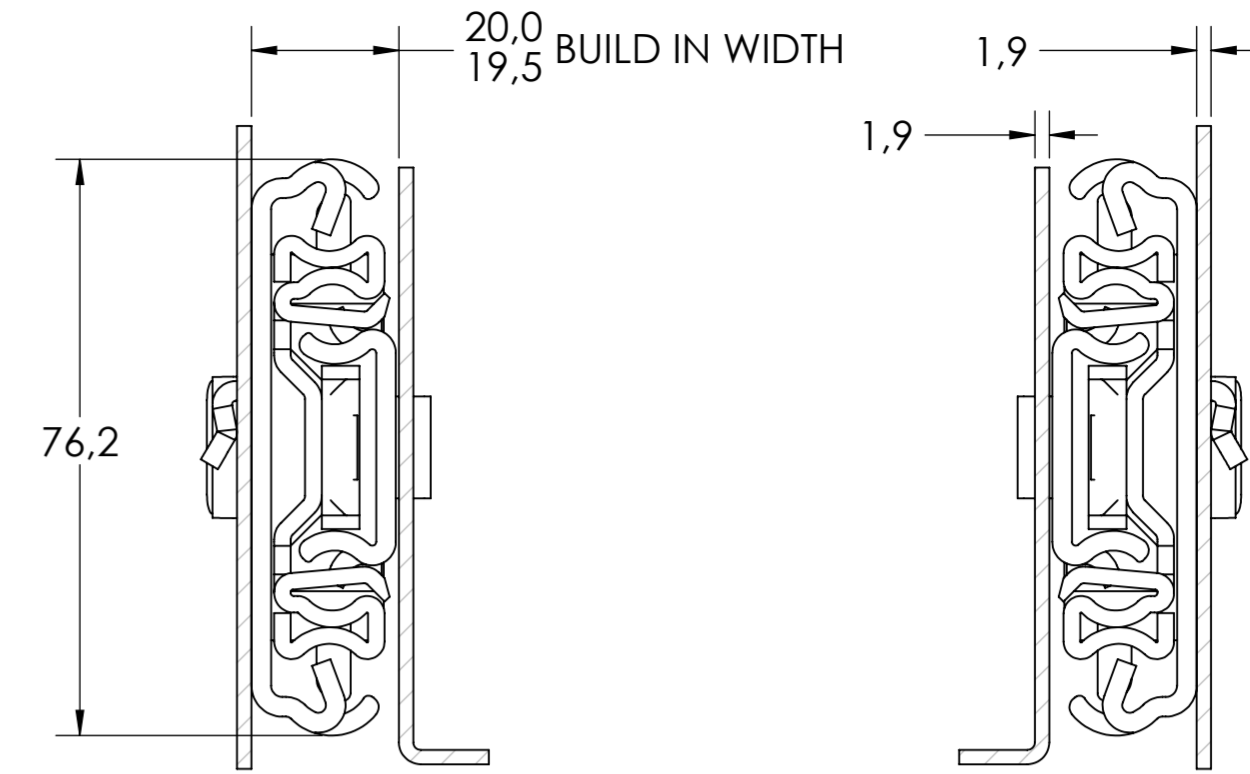
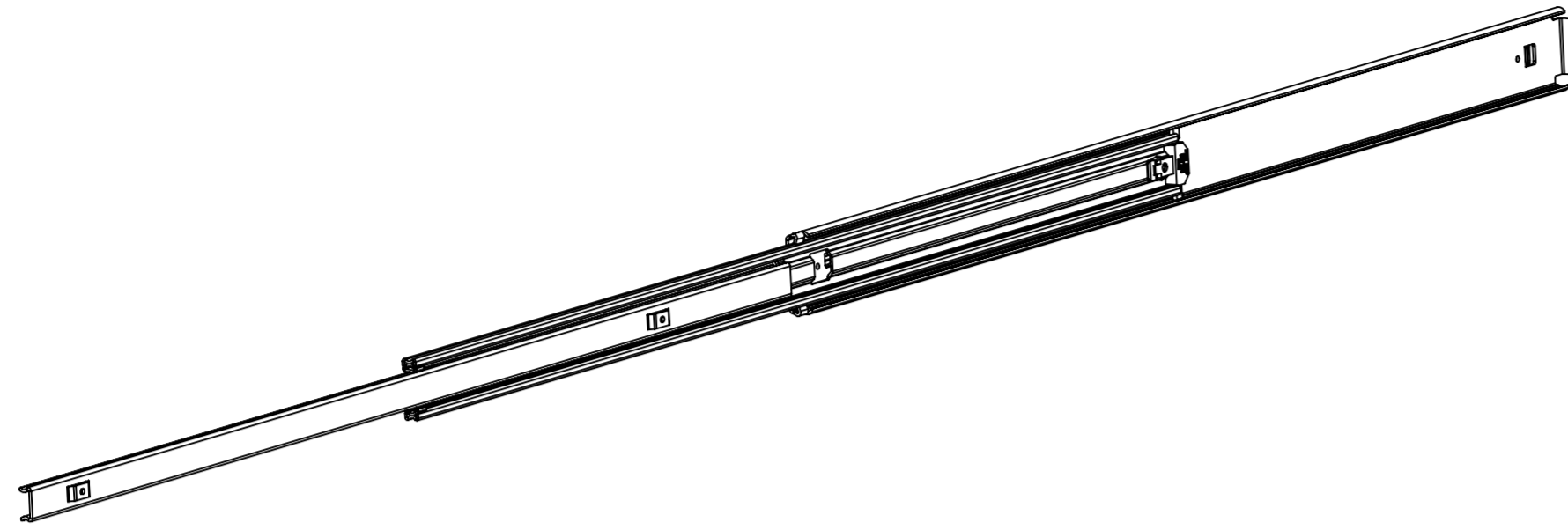
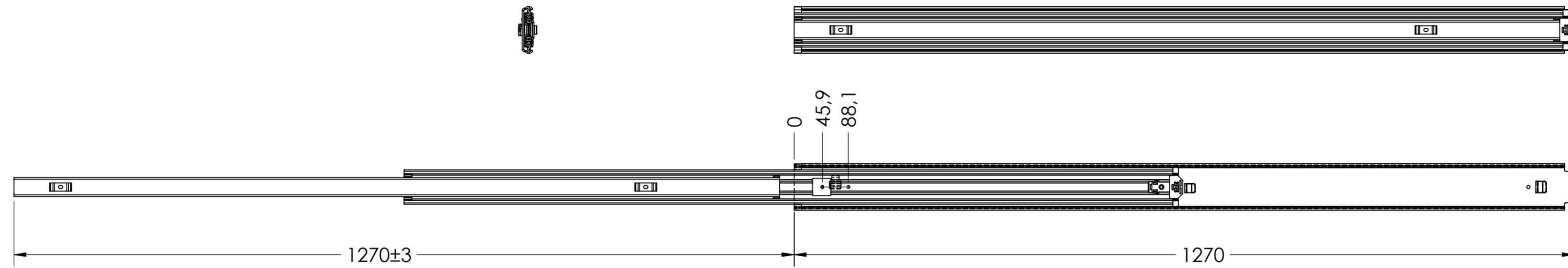


5400.50-GA.T115

X

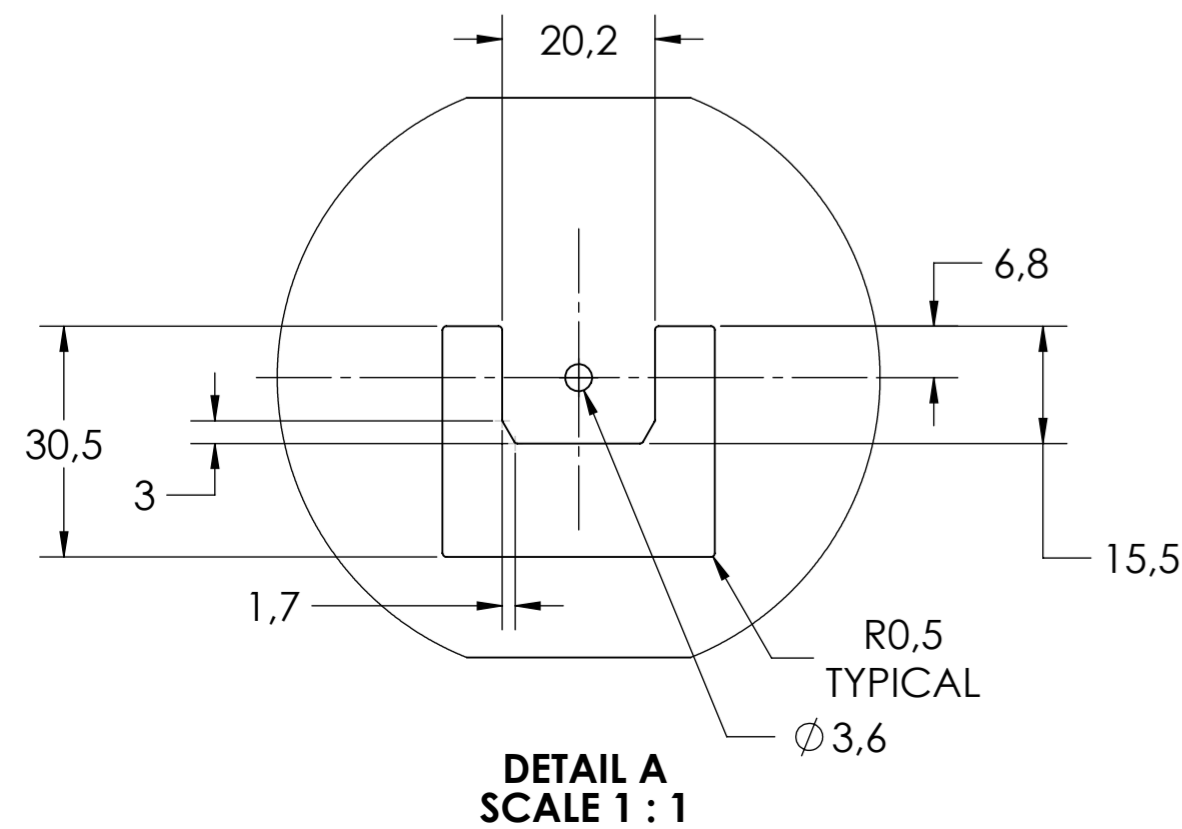
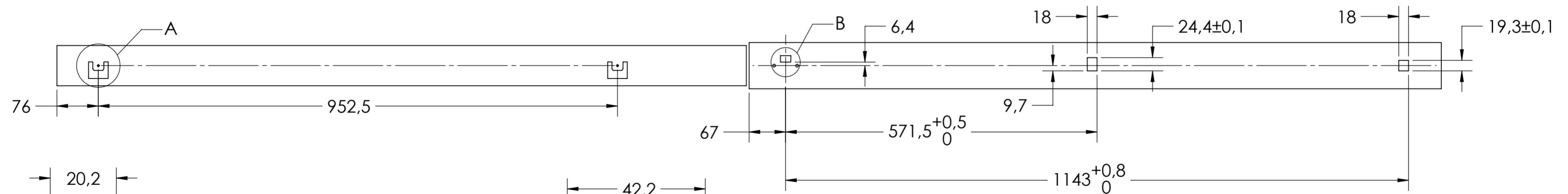


SCALE 1:1

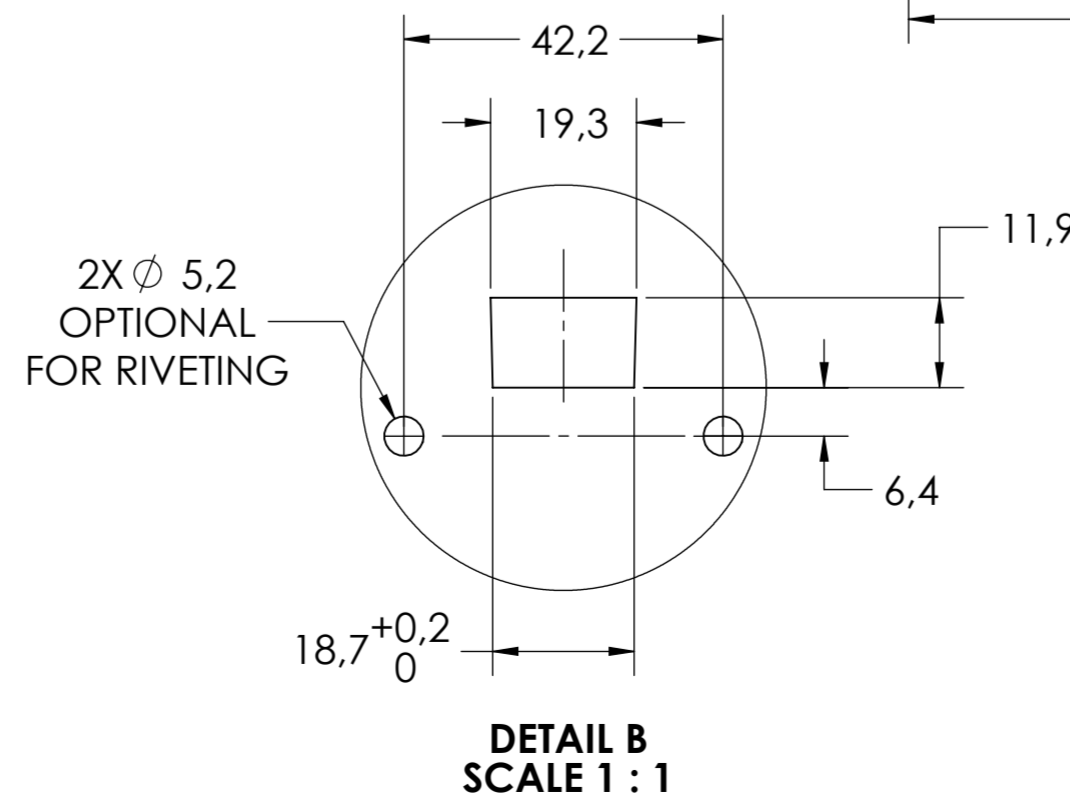


DRAWER MOUNTING CUTOUTS

CABINET MOUNTING CUTOUTS



DETAIL A
SCALE 1:1



DETAIL B
SCALE 1:1

general tolerances		DIN ISO 128-30 missing dimensions see 3D = theor. intersection	
ISO 2768-m			
This drawing remains our property and may not be multiplied neither be disclosed to third parties (§§1,3 and 5 from the copyright Act (UrhG)) covered according to DIN ISO 16016			
(k)		scale:	material, semi finished parts:
(l)		1:6	STEEL
(i)		surface:	(technical requirements Fulterer)
(h)		date	name
(g)		drawn 31-05-2019	HB
(f)		proven 00-00-0000	00
(e)		Fulterer	
(d)			
(c)		Fulterer AG & Co KG	
(b)		A-6890 Lustenau / Austria	
(a)	0	00-00-0000	0
ind.	changes	date	na.
		Fulterer AG	
		CH-9430 St. Margrethen	
		drawing number:	
		5400.50-GA.T115	
		replaces version date:	