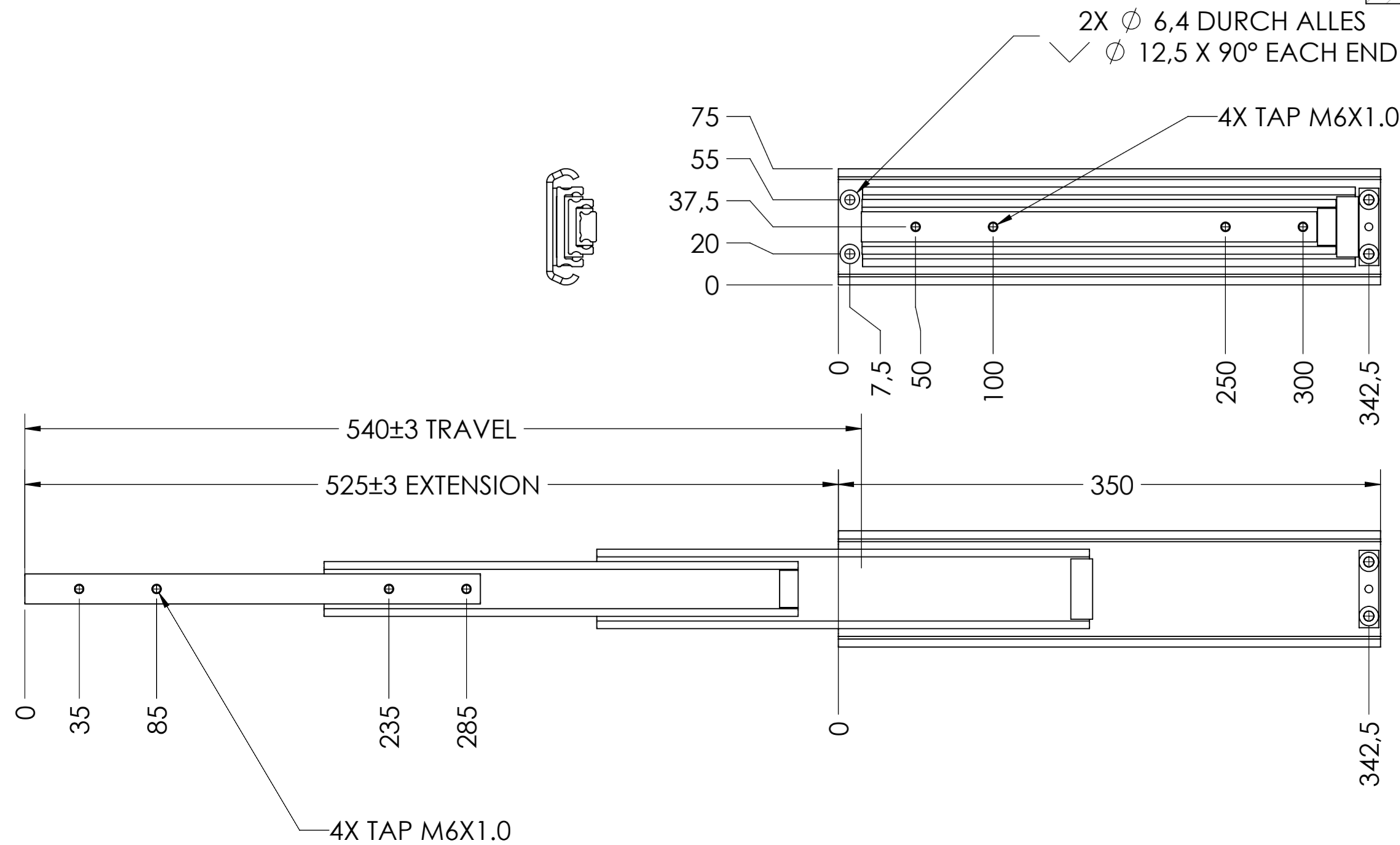


SCALE 1:1



RECOMMENDED HARDWARE:
 CABINET- M6 FLAT HEAD SCREWS
 (2) REAR SCREWS ARE 12mm LONGER THAN FRONT LOCATIONS
 DRAWER- M6 x 1.0 SCREWS

general tolerances		DIN ISO 128-30 missing dimensions see 3D = theor. intersection	
ISO 2768-m			
This drawing remains our property and may not be multiplied neither be disclosed to third parties (§§1,3 and 5 from the copyright Act (UrhG)) covered according to DIN ISO 16016			
(k)	scale:	1:3	surface:
(l)	date	17-12-2018	name
(m)	drawn	HB	description:
(n)	proven	00-00-0000	00
(o)	Fulterer		150% EXTENSION SIDE MOUNT
(p)			150% EXTENSION SIDE MOUNT
(q)	Fulterer AG & Co KG		AVY DUTY DRAWER SLIDE
(r)	A-6890 Lustenau / Austria		NON-DISCONNECT
(s)	Fulterer AG		drawing number:
(t)	CH-9430 St. Margrethen		5432.350-GA.T093
(u)	changes	date	replaces version date:
(v)			
(w)			
(x)			
(y)			
(z)			