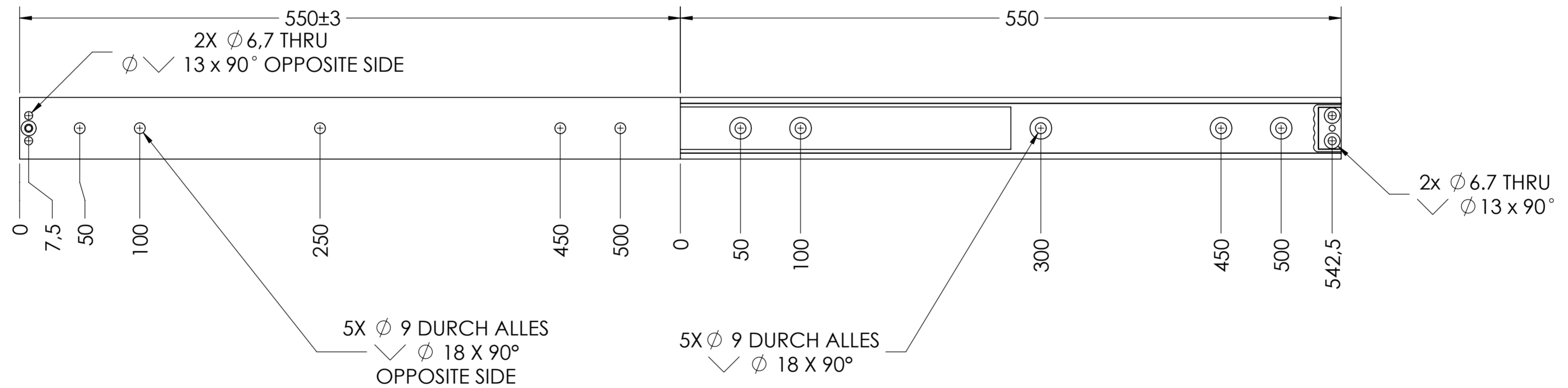
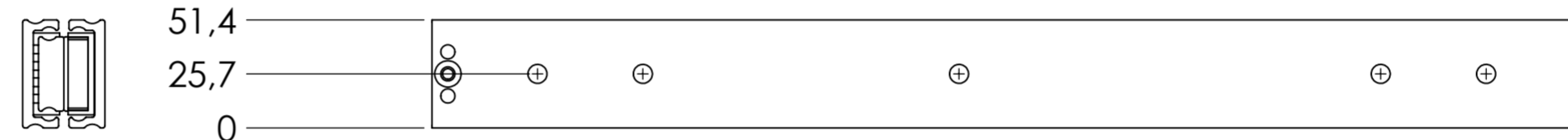


SCALE 1:1



RECOMMENDED HARDWARE:  
CABINET- M8 OR M6 FLATHEAD SCREWS  
DRAWER- M8 OR M6 FLATHEAD SCREWS

general tolerances		DIN ISO 128-30 missing dimensions see 3D = theor. intersection	
ISO 2768-m			
This drawing remains our property and may not be multiplied neither be disclosed to third parties (§§1,3 and 5 from the copyright Act (UrhG)) covered according to DIN ISO 16016			
(k)	scale:	1:3	surface:
(l)	date	17-12-2018	name
(m)	drawn	HB	
(n)	proven	00-00-0000	00
(o)	<b>Fullterer</b>		material, semi finished parts:
(p)			STEEL
(q)	Fullterer AG & Co KG A-6890 Lustenau / Austria		(technical requirements Fullterer)
(r)	Fullterer AG CH-9430 St. Margrethen		description:
(s)	drawing number:		FULL EXTENSION SIDE MOUNT SUPER HEAVY DUTY SLIDE NON-DISCONNECT
(t)	5439.550-GA.T090		
(u)	replaces version date:		
(v)	ind.	changes	date
(w)	na.	00-00-0000	0