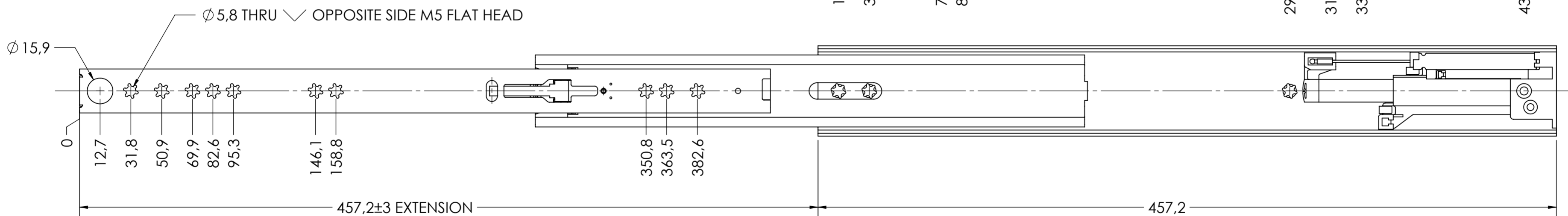
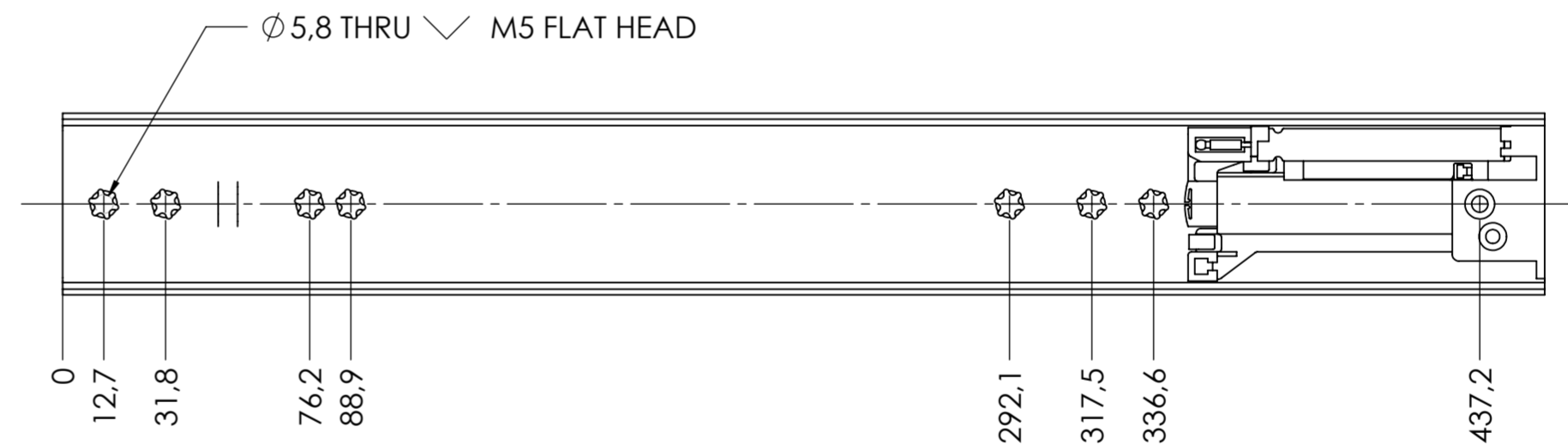


CABINET MOUNTING HOLES



RECOMMENDED HARDWARE:

CABINET- M5 FLAT HEAD SCREW #10 FLAT HEAD SCREW

DRAWER- M5 FLAT HEAD SCREW OR #10 FLAT HEAD SCREW

general tolerances		DIN ISO 128-30 missing dimensions see 3D = theor. intersection	
ISO 2768-m			
This drawing remains our property and may not be multiplied neither be disclosed to third parties (§§1,3 and 5 from the copyright Act (UrhG)) covered according to DIN ISO 16016			
(k)	scale:	1:2	surface:
(l)	date:	17-02-2021	name:
(m)	drawn:	MW	
(n)	proven:	00-00-0000	00
(o)	Fulterer		material, semi finished parts:
(p)			STEEL
(q)	Fulterer AG & Co KG A-6890 Lustenau / Austria		(technical requirements Fulterer)
(r)	Fulterer AG CH-9430 St. Margrethen		description:
(s)	UPDATE TITLE BLOCK		FULL EXTENSION SIDE MOUNT
(t)	19-03-2019	HB	SOFT CLOSE DRAWER SLIDE
(u)	changes	date	WITH DRAWER DISCONNECT
(v)			drawing number:
(w)			5609.18-GA.T057
(x)			replaces version date: