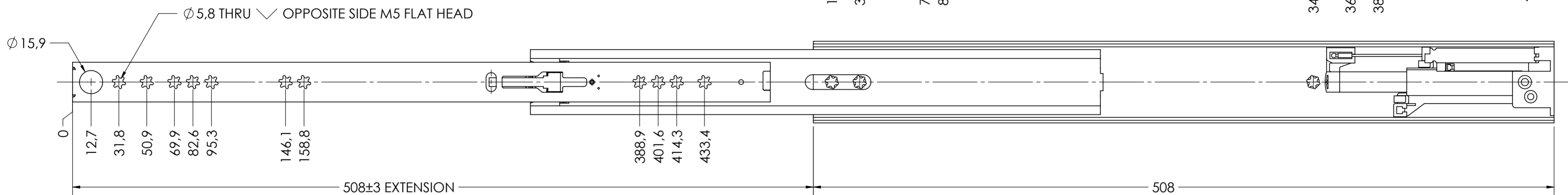
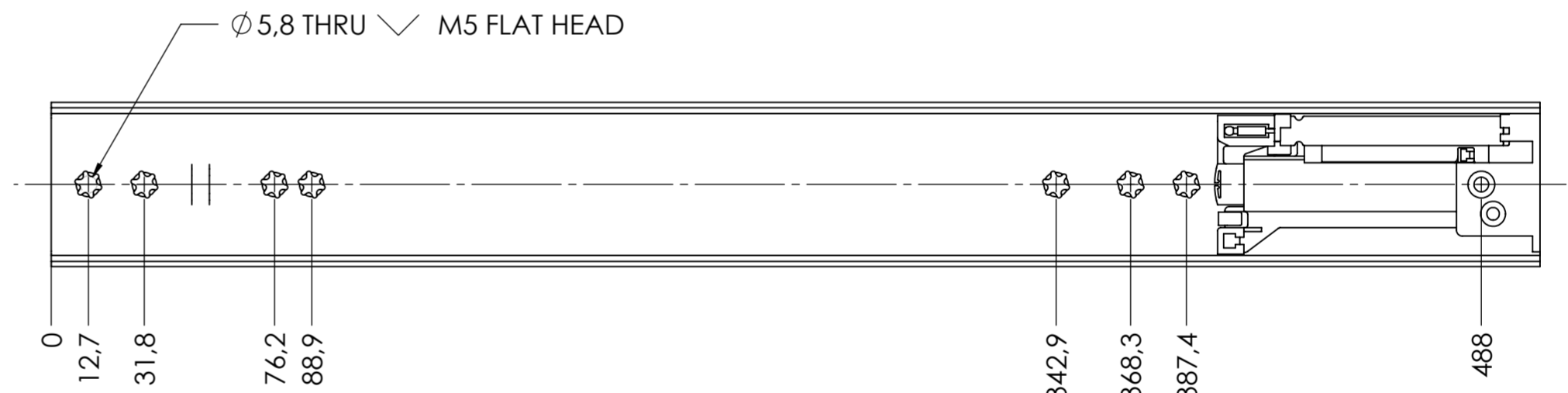


### CABINET MOUNTING HOLES



### RECOMMENDED HARDWARE:

CABINET- M5 FLAT HEAD SCREW #10 FLAT HEAD SCREW

DRAWER- M5 FLAT HEAD SCREW OR #10 FLAT HEAD SCREW

general tolerances		DIN ISO 128-30 missing dimensions see 3D = theor. intersection	
ISO 2768-m			
This drawing remains our property and may not be multiplied neither be disclosed to third parties (§§1,3 and 5 from the copyright Act (UrhG)) covered according to DIN ISO 16016			
(k)		scale:	material, semi finished parts: <b>STEEL</b>
(l)		1:2	(technical requirements Fulterer)
(i)		surface:	
(h)		date	description:
(g)		drawn 17-02-2021	<b>FULL EXTENSION SIDE MOUNT</b>
(f)		proven 00-00-0000	<b>SOFT CLOSE DRAWER SLIDE</b>
(e)			<b>WITH DRAWER DISCONNECT</b>
(d)			
(c)			
(b)			
(a)	UPDATE TITLE BLOCK	19-03-2019	drawing number:
ind.	changes	date	<b>5609.20-GA.T057</b>
		na.	replaces version date: