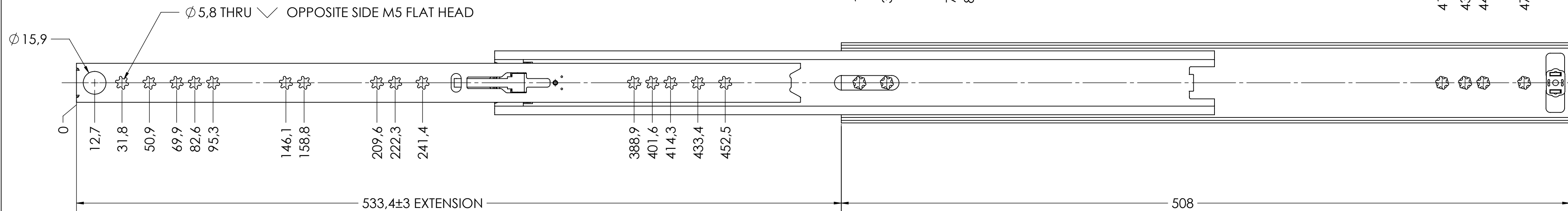
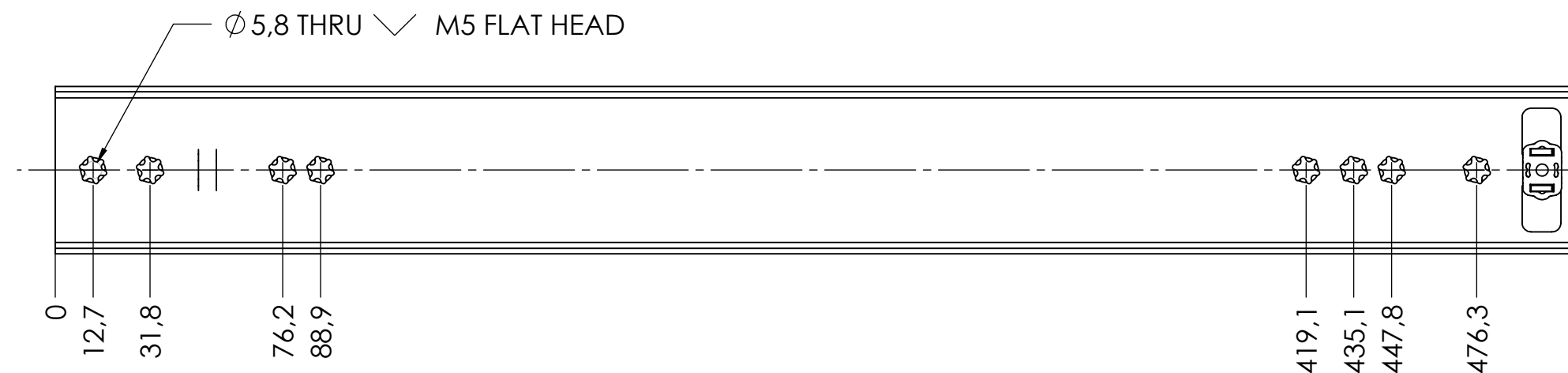


CABINET MOUNTING HOLES



RECOMMENDED HARDWARE:

CABINET- M5 FLAT HEAD SCREW #10 FLAT HEAD SCREW

DRAWER- M5 FLAT HEAD SCREW OR #10 FLAT HEAD SCREW

general tolerances		DIN ISO 128-30	
ISO 2768-m		missing dimensions see 3D = theor. intersection	
This drawing remains our property and may not be multiplied neither be disclosed to third parties (§§1,3 and 5 from the copyright Act (UrhG)) covered according to DIN ISO 16016			
(k)	scale:	1:2	surface:
(l)	date	12-05-2020	name
(m)	drawn	MW	description:
(n)	proven	00-00-0000	00
(o)	Fulterer		OVER EXTENSION SIDE MOUNT
(p)			DRAWER SLIDE WITH DRAWER DISCONNECT
(q)	Fulterer AG & Co KG		drawing number:
(r)	A-6890 Lustenau / Austria		5609.20-GA.T056
(s)	Fulterer AG		replaces version date:
(t)	CH-9430 St. Margrethen		
(u)	UPDATE TITLE BLOCK	19-03-2019	HB
(v)	changes	date	na.