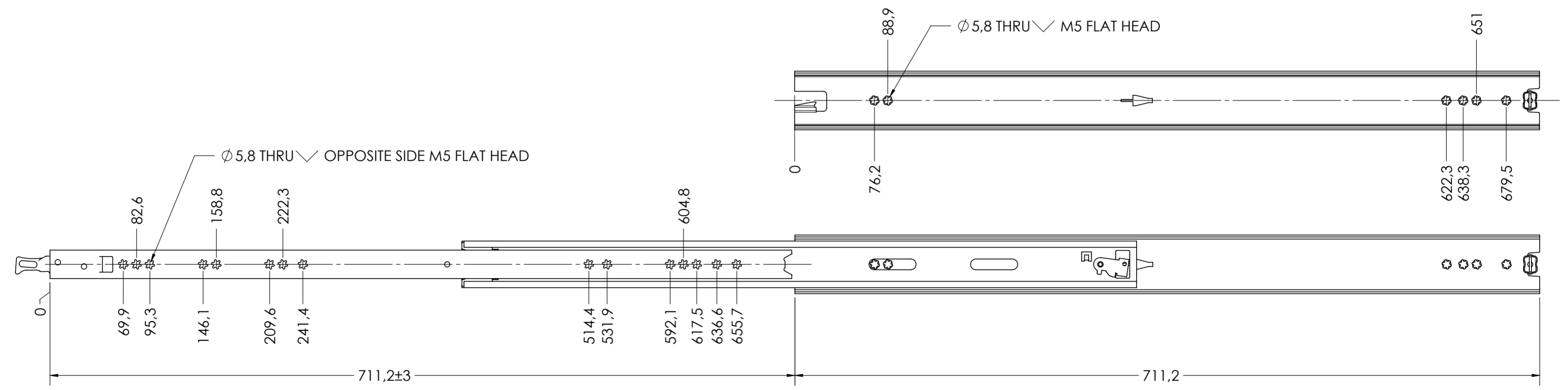


CABINET MOUNTING HOLES



RECOMMENDED HARDWARE:

CABINET- M5 FLAT HEAD SCREW #10 FLAT HEAD SCREW

DRAWER- M5 FLAT HEAD SCREW OR #10 FLAT HEAD SCREW

general tolerances		DIN ISO 128-30 missing dimensions see 3D = theor. intersection	
ISO 2768-m			
This drawing remains our property and may not be multiplied neither be disclosed to third parties (§§1,3 and 5 from the copyright Act (UrhG)) covered according to DIN ISO 16016			
scale: 1:3		surface: A2	
date: 01-02-2022		name: MW	
drawn: 01-02-2022		description: FULL EXTENSION SIDE MOUNT LOCK IN LOCK OUT DRAWER SLIDE WITH DRAWER DISCONNECT	
proven: 00-00-0000		drawing number: 5609.28-GA.T058	
changes		date	
na.		na.	