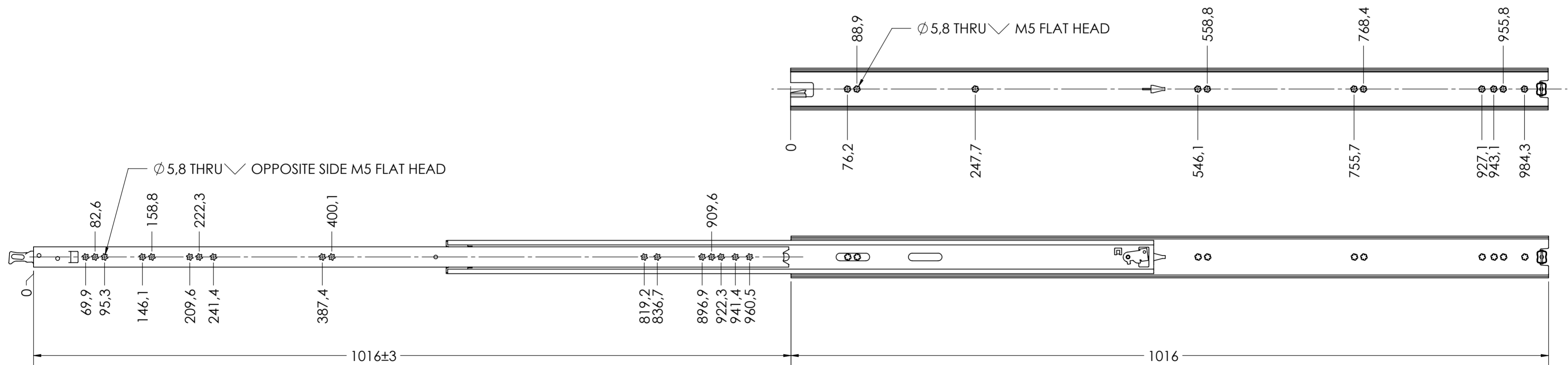


CABINET MOUNTING HOLES



RECOMMENDED HARDWARE:

CABINET- M5 FLAT HEAD SCREW #10 FLAT HEAD SCREW

DRAWER- M5 FLAT HEAD SCREW OR #10 FLAT HEAD SCREW

general tolerances		DIN ISO 128-30 missing dimensions see 3D = theor. intersection	
ISO 2768-m			
This drawing remains our property and may not be multiplied neither be disclosed to third parties (§§1,3 and 5 from the copyright Act (UrhG)) covered according to DIN ISO 16016			
(k)	scale:	1:4	surface: A2
(l)	date	01-02-2022	name: MW
(m)	drawn	01-02-2022	description: FULL EXTENSION SIDE MOUNT LOCK IN LOCK OUT DRAWER SLIDE WITH DRAWER DISCONNECT
(n)	proven	00-00-0000	00
(o)	Fulterer		drawing number: 5609.40-GA.T058
(p)			
(q)	Fulterer AG CH-9430 St. Margrethen		replaces version date:
(r)	changes	date	na.