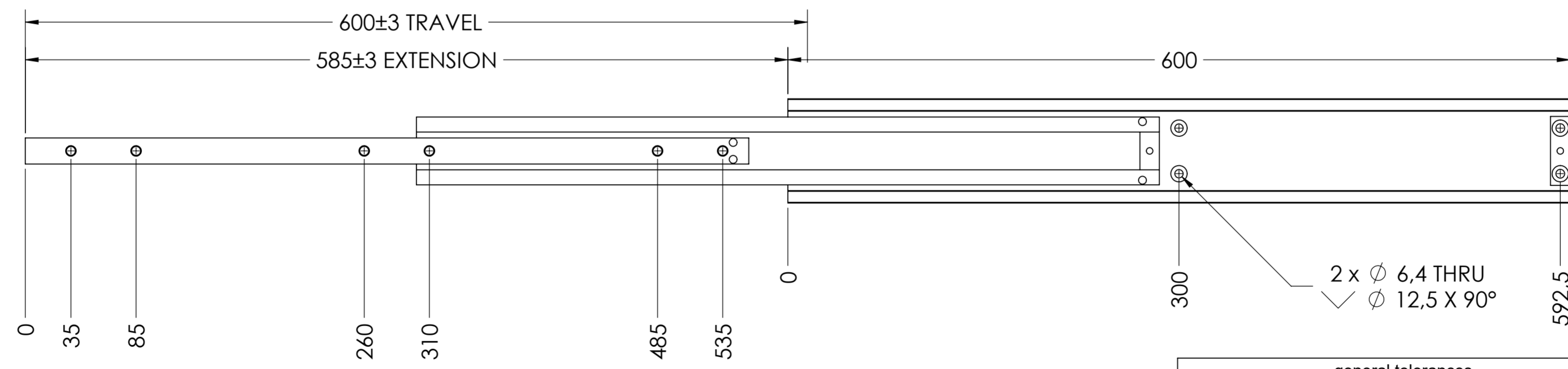
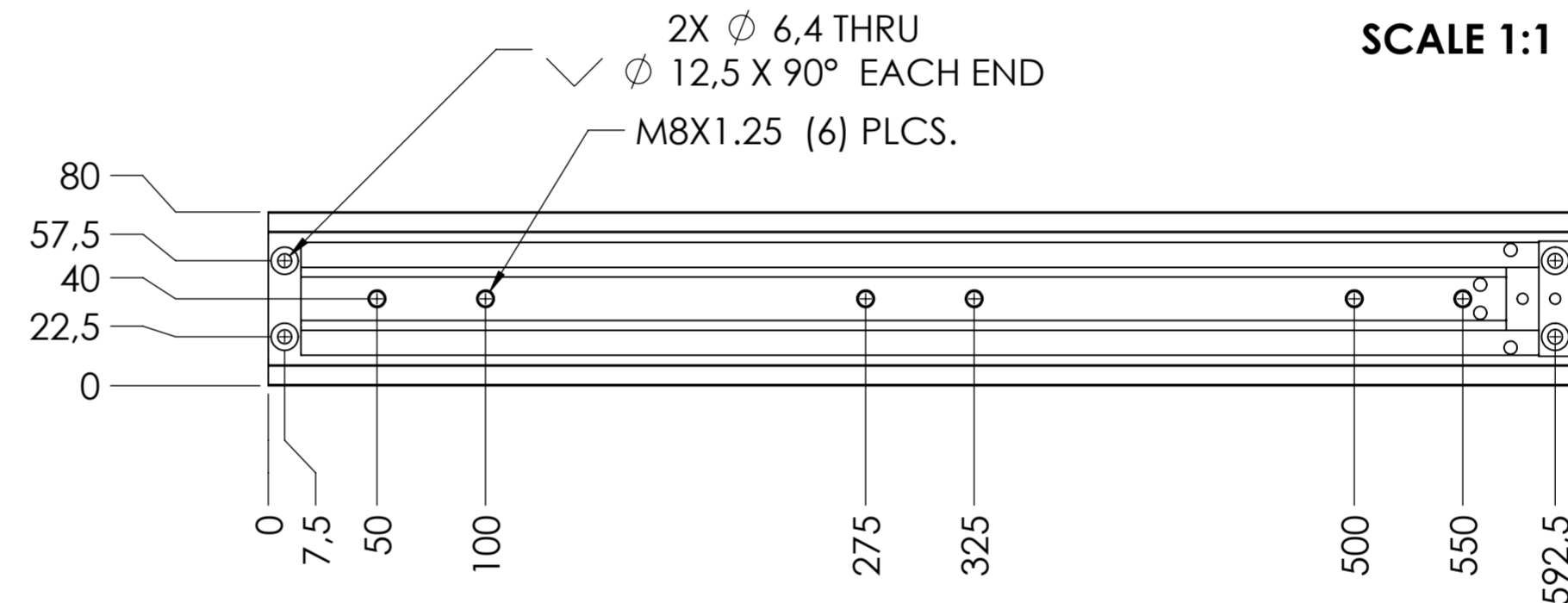


SCALE 1:1



RECOMMENDED HARDWARE:
 CABINET- M6 FLAT HEAD SCREWS
 (2) REAR SCREWS 12mm LONGER THAN FRONT/MIDDLE LOCATIONS
 DRAWER- M8 x 1.25 SCREWS

| | | | |
|--|---------|--|---|
| general tolerances | | DIN ISO 128-30 missing dimensions see 3D = theor. intersection | |
| ISO 2768-m | | | |
| This drawing remains our property and may not be multiplied neither be disclosed to third parties (§§1,3 and 5 from the copyright Act (UrhG)) covered according to DIN ISO 16016 | | | |
| (k) (l) (m) (n) (o) (p) (q) (r) (s) (t) (u) (v) (w) (x) (y) (z) | scale: | 1:3 | surface: |
| | date | 20-07-2018 | name |
| | drawn | HB | description: |
| | proven | 00-00-0000 | 00 |
| | | | material, semi finished parts: ALUMINUM (technical requirements Fulterer) |
| Fulterer AG & Co KG A-6890 Lustenau / Austria Fulterer AG CH-9430 St. Margrethen | | drawing number: 5826.600-GA.T094 replaces version date: | |
| ind. | changes | date | na. |