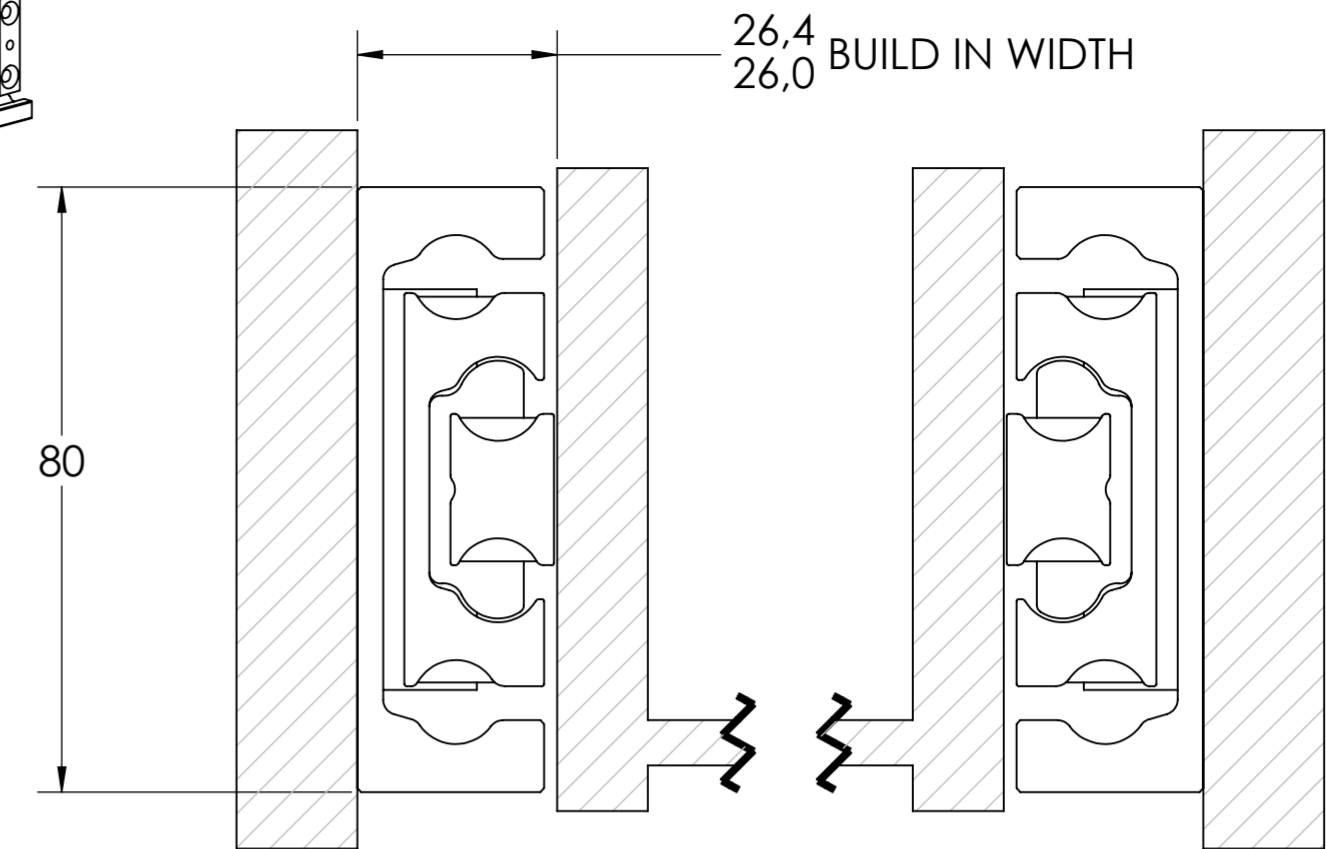
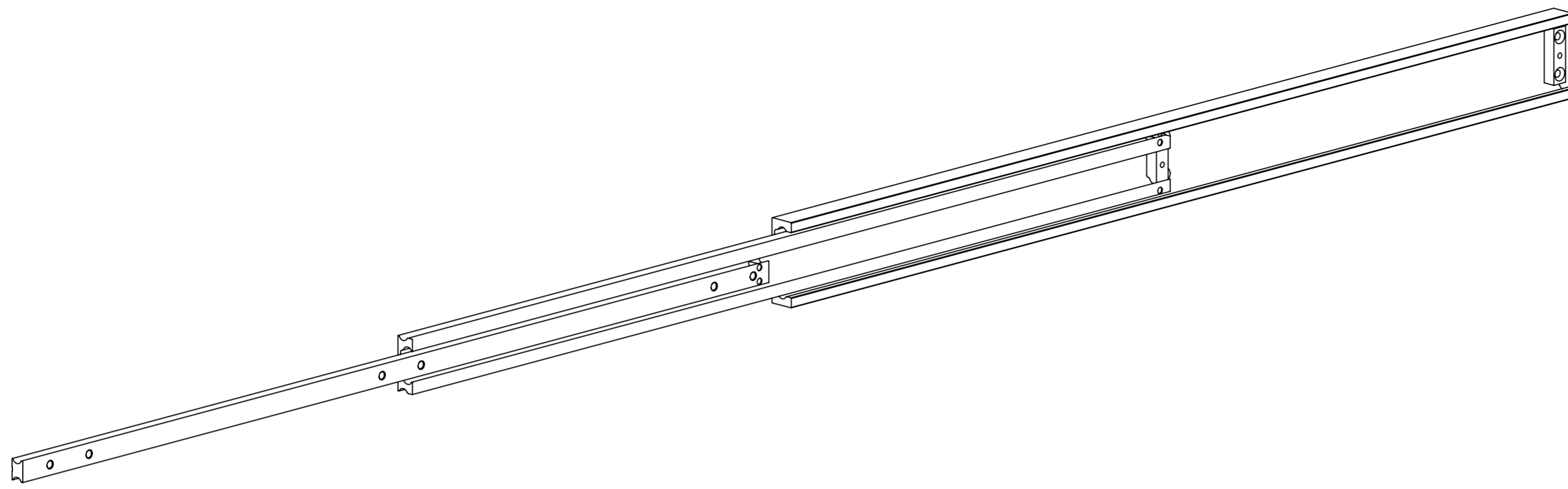
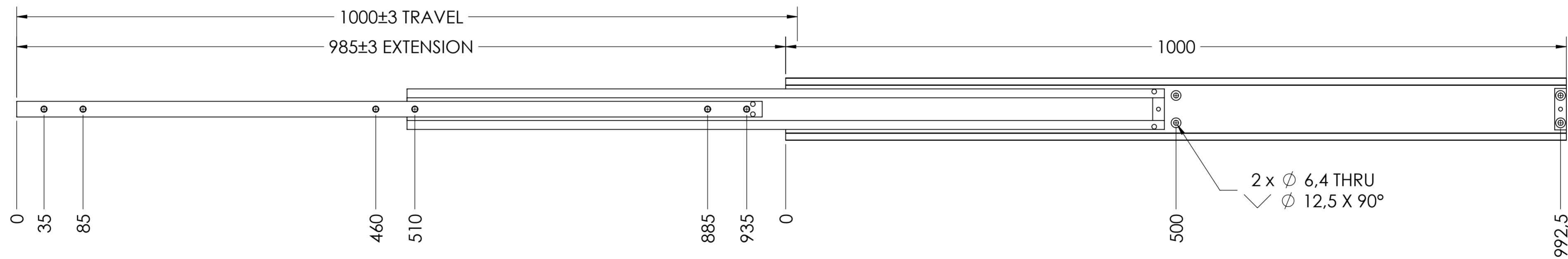
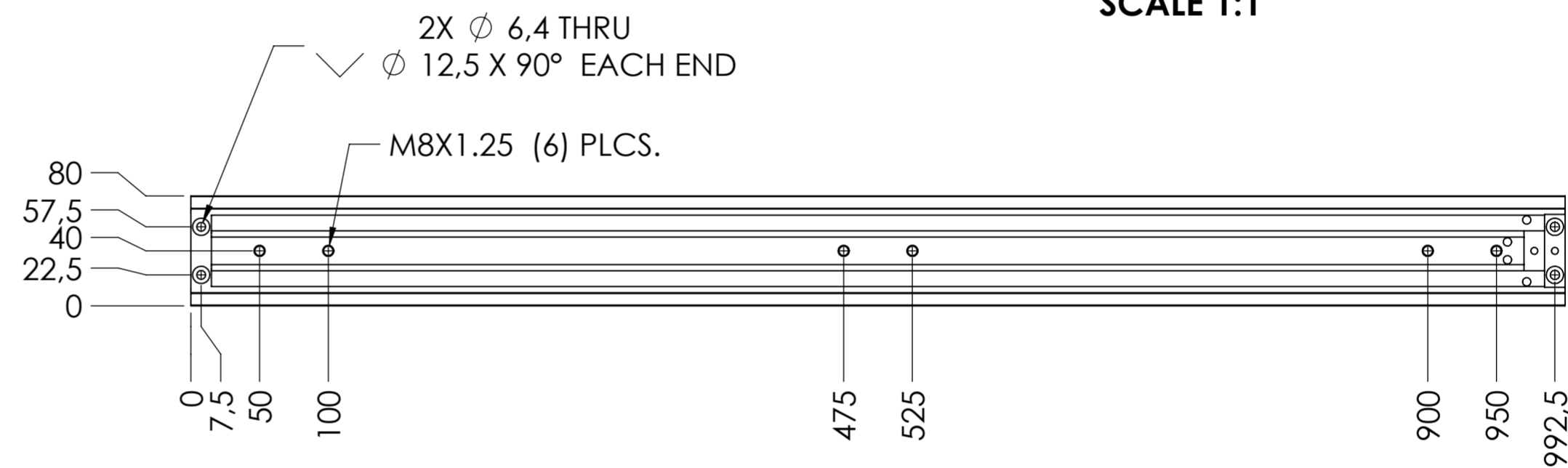


5826.1000-GA.T094

X



SCALE 1:1



RECOMMENDED HARDWARE:
 CABINET- M6 FLAT HEAD SCREWS
 (2) REAR SCREWS 12mm LONGER THAN FRONT/MIDDLE LOCATIONS
 DRAWER- M8 x 1.25 SCREWS

general tolerances		DIN ISO 128-30 missing dimensions see 3D = theor. intersection	
ISO 2768-m			
This drawing remains our property and may not be multiplied neither be disclosed to third parties (§§1,3 and 5 from the copyright Act (UrhG)) covered according to DIN ISO 16016			
(k)	scale:	1:4	surface:
(l)	date:	20-07-2018	name:
(m)	drawn:	HB	
(n)	proven:	00-00-0000	00
(o)	Fulterer		material, semi finished parts:
(p)			ALUMINUM (technical requirements Fulterer)
(q)	Fulterer AG & Co KG A-6890 Lustenau / Austria		description:
(r)	Fulterer AG CH-9430 St. Margrethen		FULL EXTENSION SIDE MOUNT SUPER HEAVY DUTY ALUMINUM SLIDE
(s)	drawing number:		8526.1000-GA.T094
(t)	replaces version date:		
(u)	ind. changes	date	na.