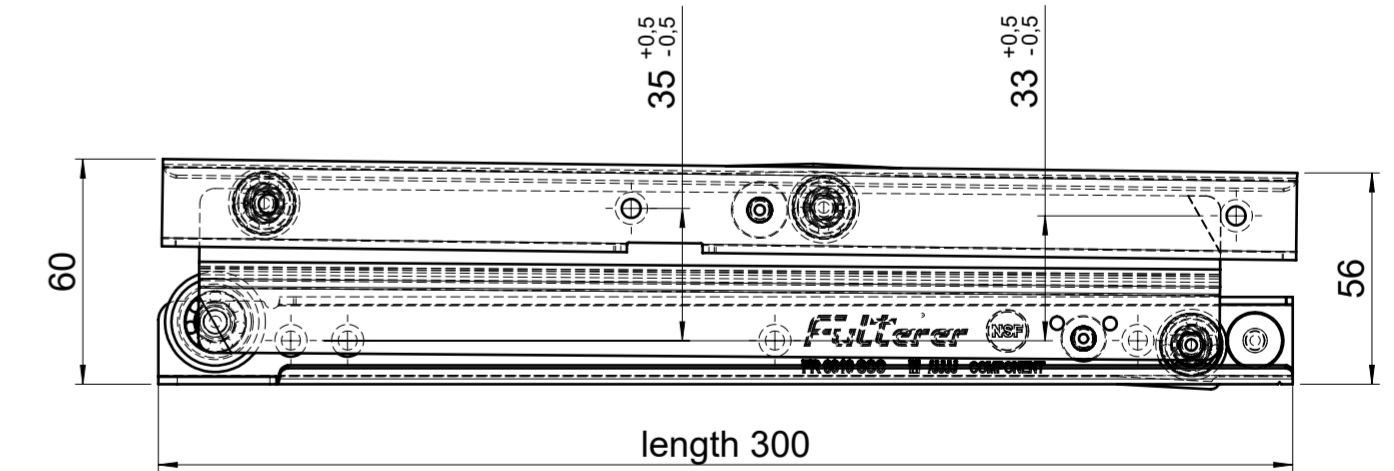
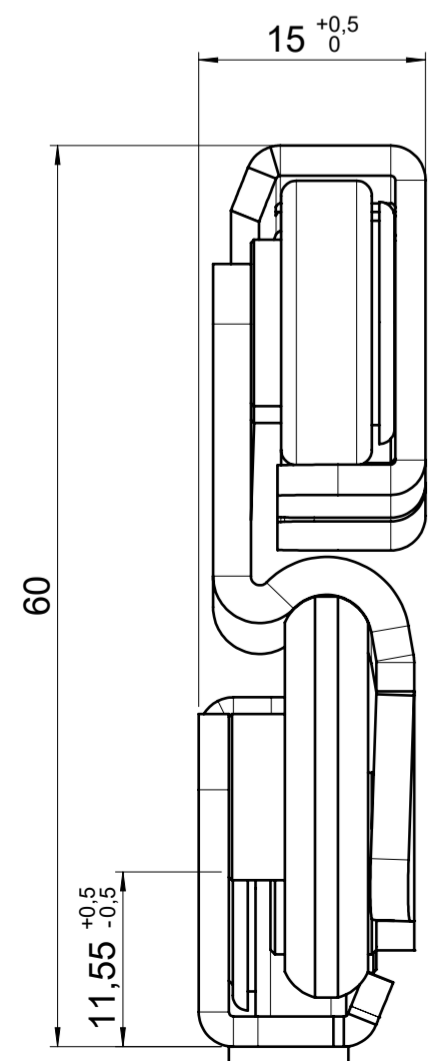
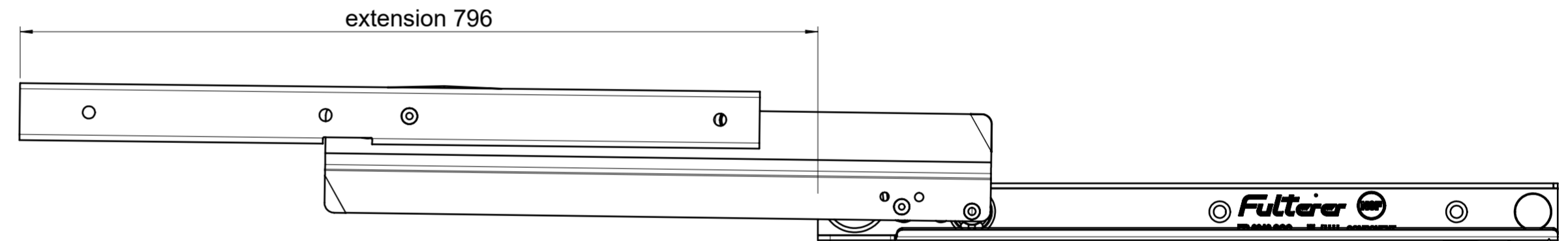
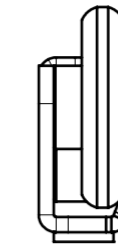
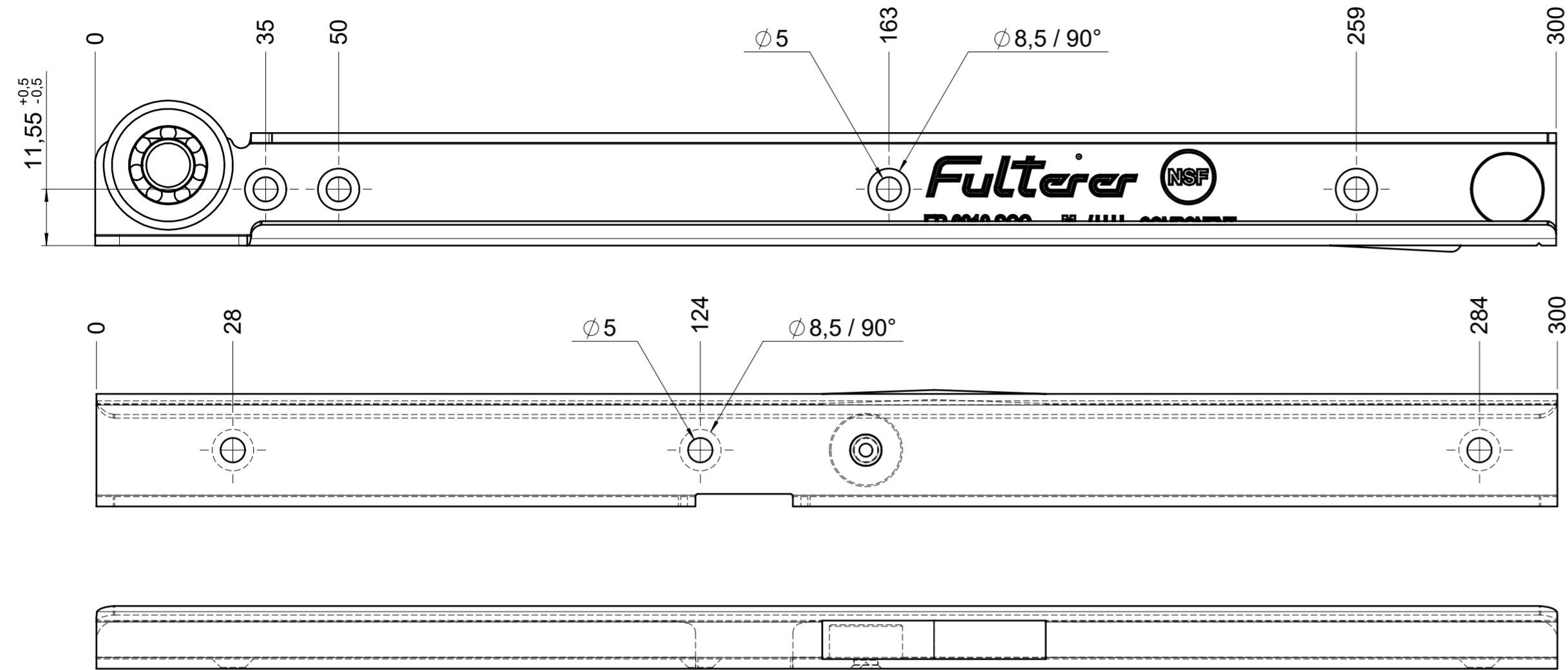


# CS# 6010.300-GA.WARM

drawn left (right mirrorimage)



**final approval**

customer name:

signed by:

date:

<b>all dimensions in mm</b>				DIN ISO 128-30 missing dimensions see 3D = theor. intersection	
This drawing remains our property and may not be multiplied neither be disclosed to third parties (§§1,3 and 5 from the copyright Act (UrhG)) covered according to DIN ISO 16016					
scale: 1:1		surface:		material, semi finished parts: CS (technical requirements Fulterer)	
drawn 02-01-2023		date		description: FR 6010 / 30 CS EN (mm) over-extension drawerside / side mount	
proven 01-02-2023		name		drawing number: CS# 6010.300-GA.WARM	
				replaces version date:	
Fulterer AG & Co KG A-6890 Lustenau / Austria		Fulterer AG CH-9430 St. Margrethen			
(k)	changes	date	na.		