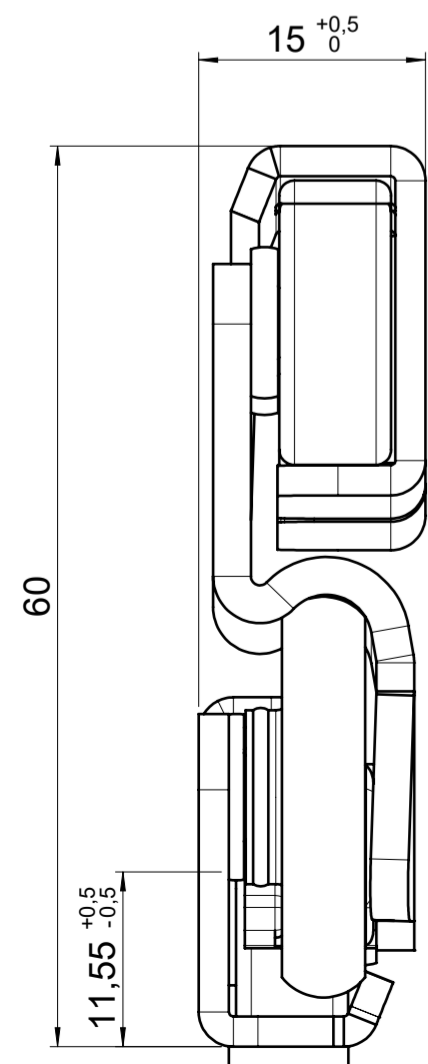
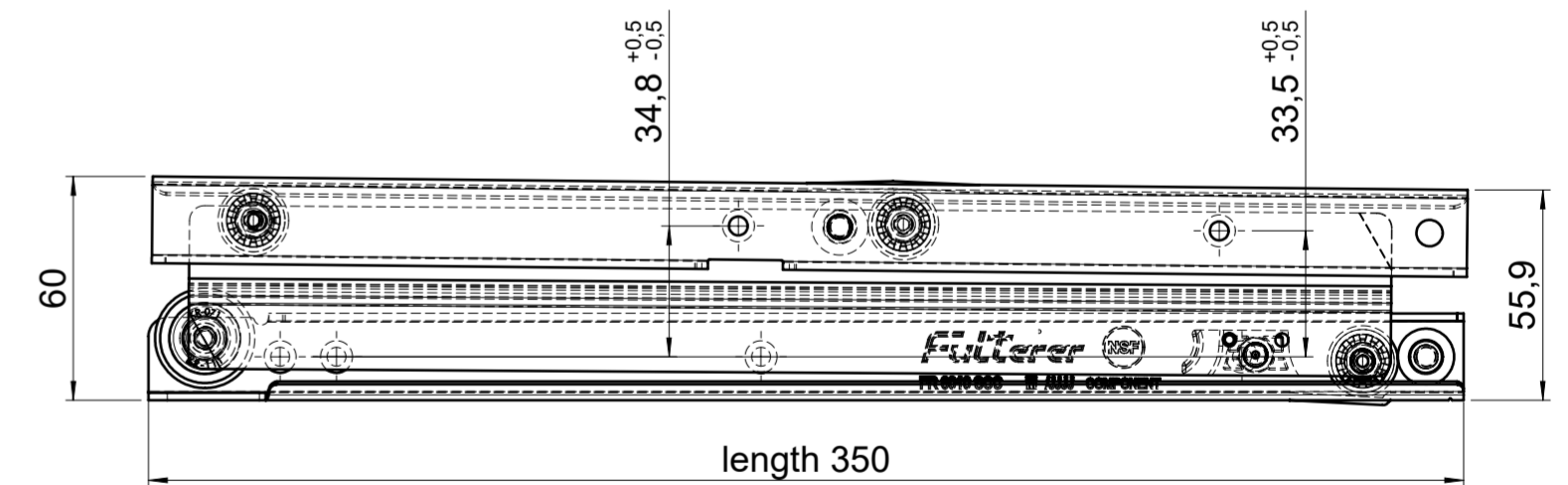
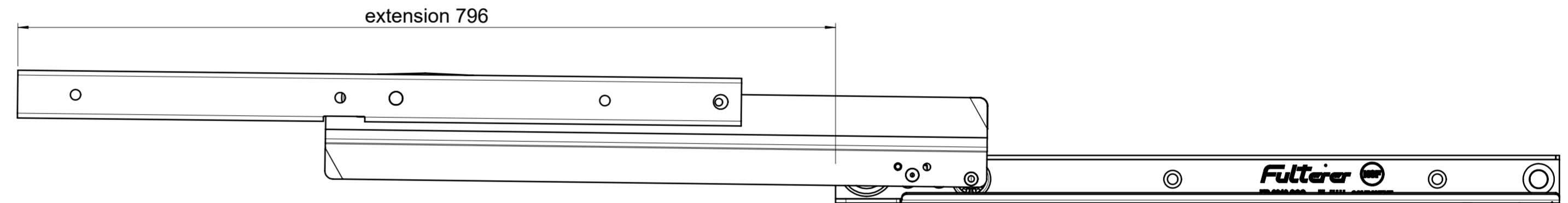
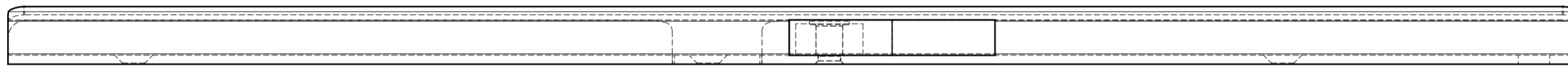
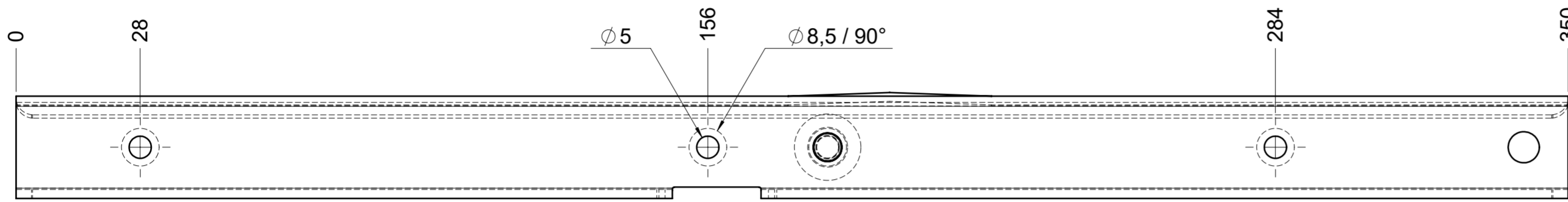
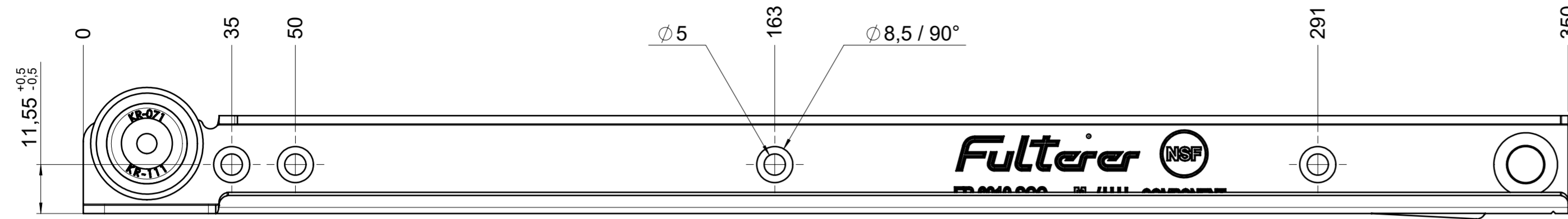


drawn left (right mirrorimage)



## final approval

customer name:

signed by:

date:

## all dimensions in mm

DIN ISO 128-30  
missing dimensions see 3D  
 = theor. intersection

This drawing remains our property and may not be multiplied neither be disclosed to third parties (§§1,3 and 5 from the copyright Act (UrhG)) covered according to DIN ISO 16016				scale:	surface:	material, semi finished parts: CS (technical requirements Fulterer)
		1:1			A2	
(k)			date	name	description: FR 6010 / 35 CS EN (mm) over-extension drawerside / side mount	
(l)			drawn 02-01-2023	pr		
(m)			proven 01-02-2023	pr	drawing number: CS# 6010.350-GA.SB00 replaces version date:	
(n)						
(o)					Fulterer AG & Co KG	
(p)			A-6890 Lustenau / Austria			
(q)			Fulterer AG			
(r)			CH-9430 St. Margrethen			
(s)	changes	date	na.			