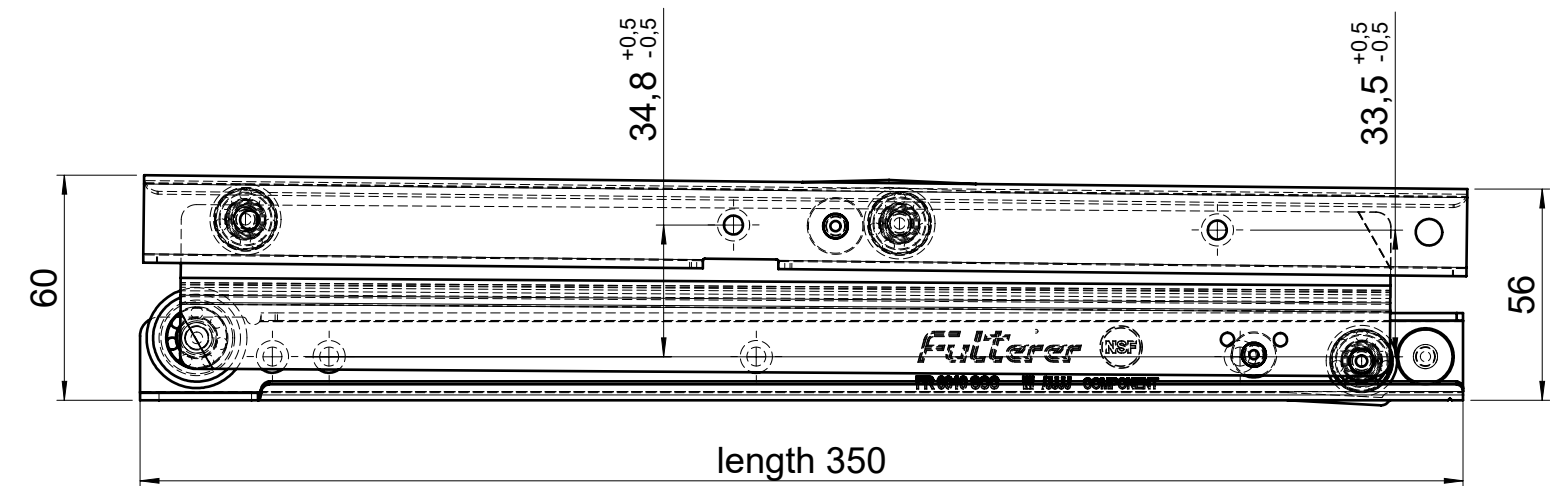
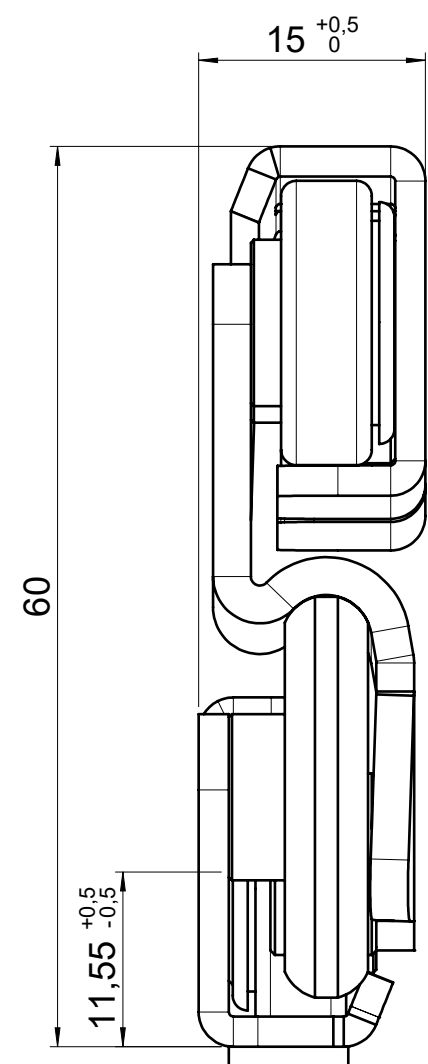
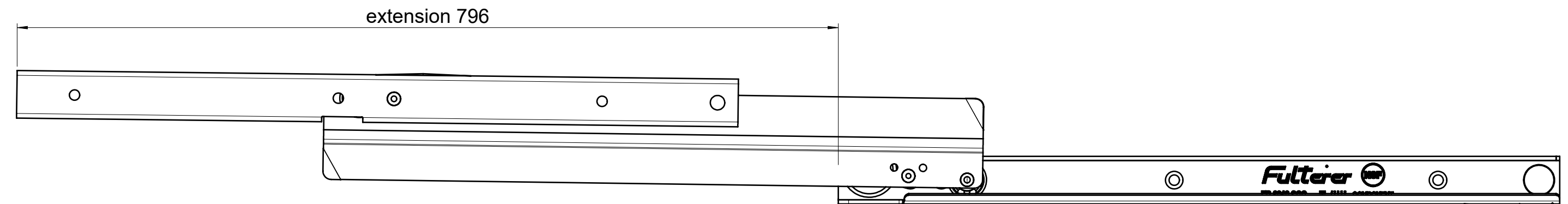
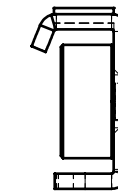
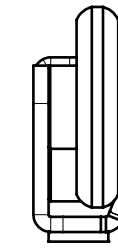
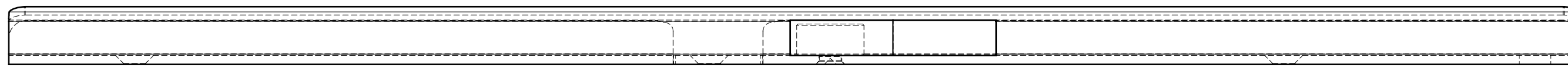
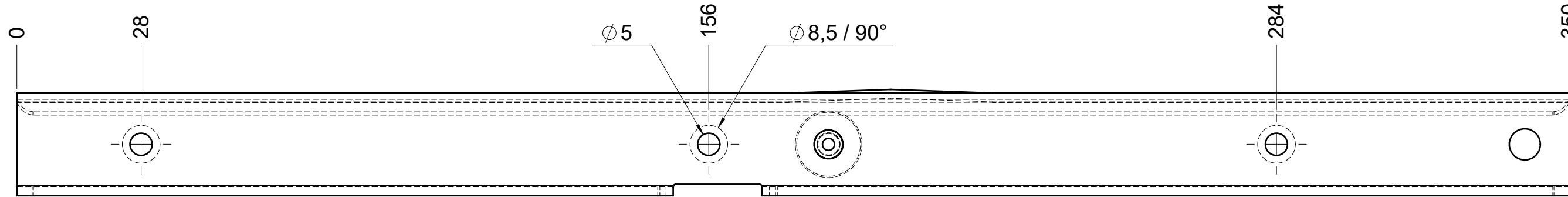
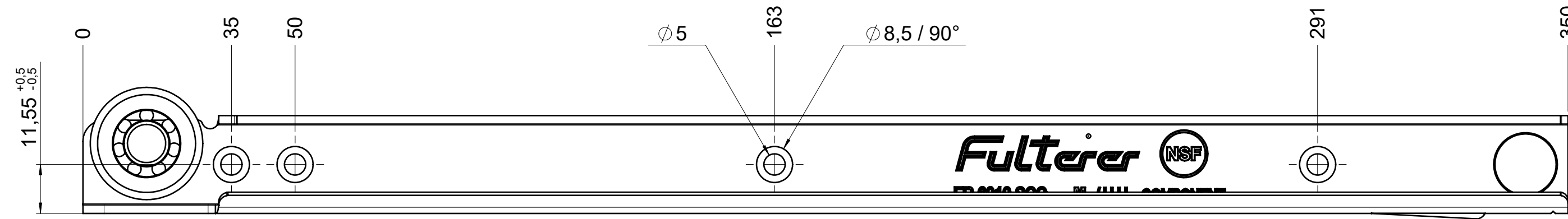


# CS# 6010.350-GA.WARM

drawn left (right mirrorimage)



**final approval**

customer name:

signed by:

date:

**all dimensions in mm**

DIN ISO 128-30  
missing dimensions see 3D  
 = theor. intersection

This drawing remains our property and may not be multiplied neither be disclosed to third parties (§§1,3 and 5 from the copyright Act (UrhG)) covered according to DIN ISO 16016				scale: 1:1	surface:	material, semi finished parts: CS (technical requirements Fulterer)
(k)				date	name	description: FR 6010 / 35 CS EN (mm) over-extension drawerside / side mount
(l)				drawn 02-01-2023	pr	
(m)				proven 01-02-2023	pr	
(n)						drawing number: <b>CS# 6010.350-GA.WARM</b>
(o)						
(p)				Fulterer AG CH-9430 St. Margrethen		replaces version date:
(q)				ind.	changes	date
(r)						
(s)						
(t)						
(u)						
(v)						
(w)						
(x)						
(y)						
(z)						