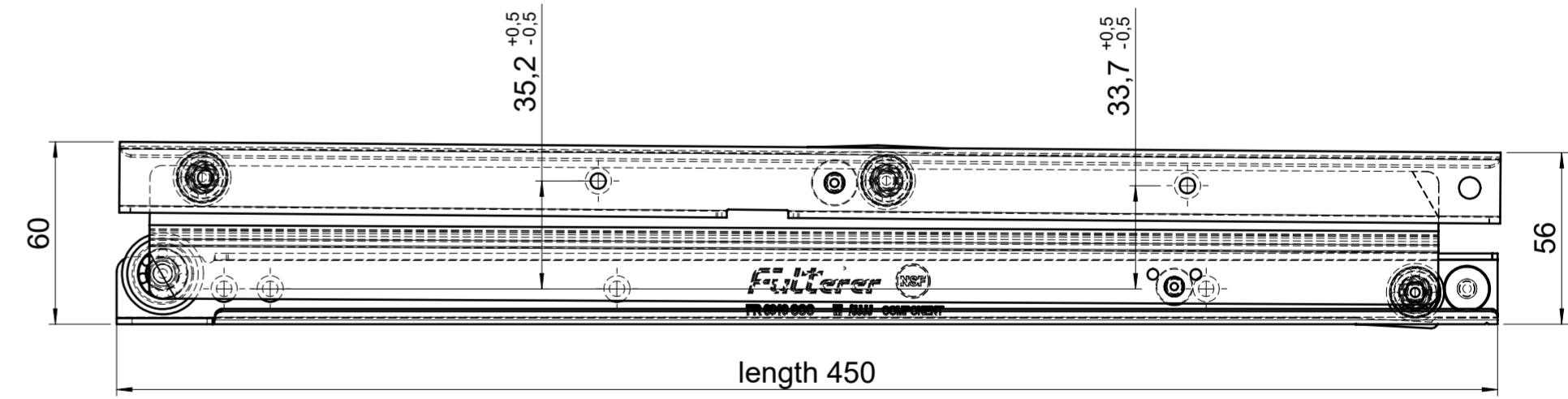
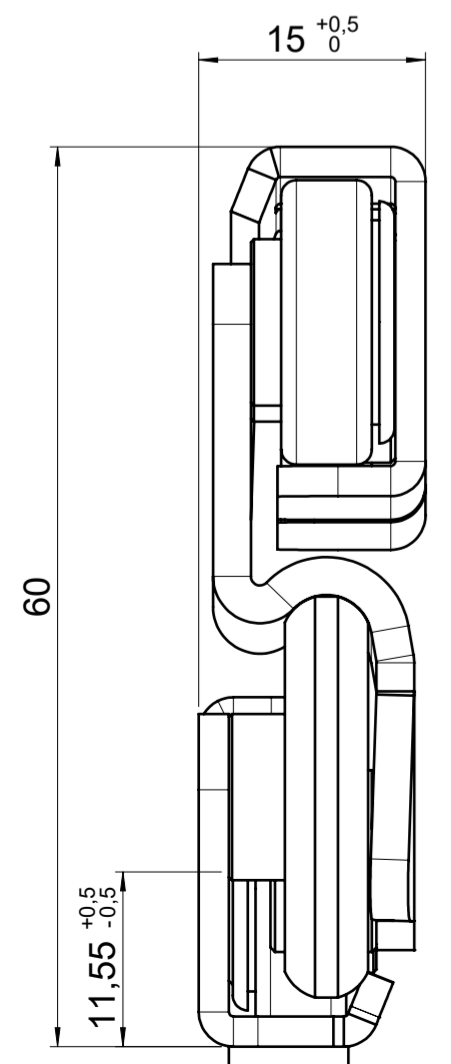
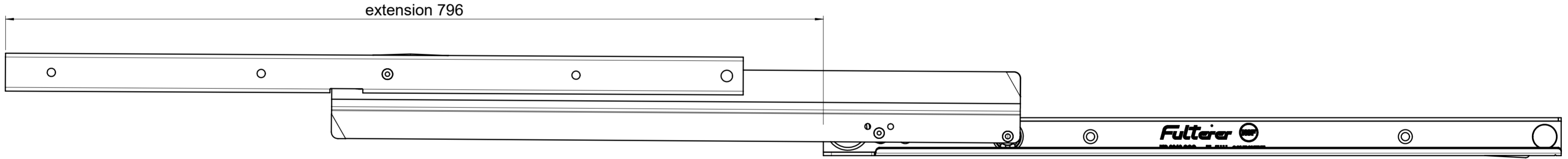
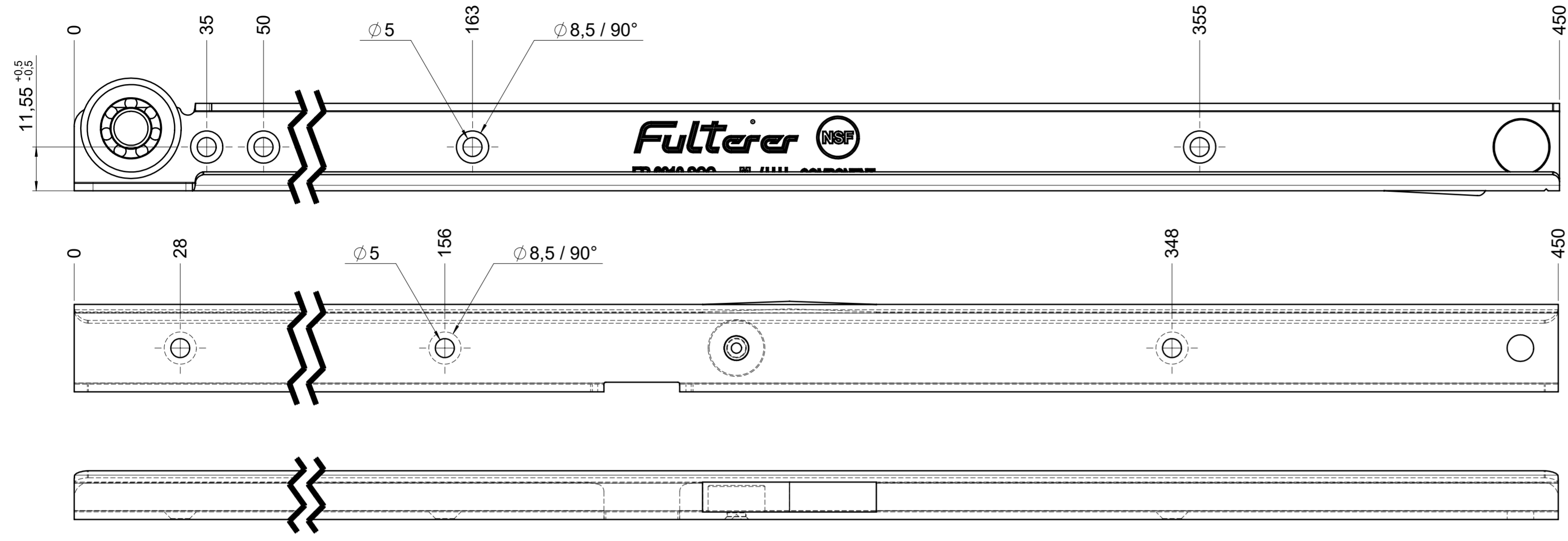


CS# 6010.450-GA.WARM

drawn left (right mirrorimage)



final approval

customer name:

signed by:

date:

| | | | | | |
|--|--|---------------------------------|--|---|--|
| all dimensions in mm | | | | DIN ISO 128-30 missing dimensions see 3D = theor. intersection | |
| This drawing remains our property and may not be multiplied neither be disclosed to third parties (§§1,3 and 5 from the copyright Act (UrhG)) covered according to DIN ISO 16016 | | | | | |
| scale: 1:1 | | surface: | | material, semi finished parts: CS (technical requirements Fulterer) | |
| drawn 02-01-2023 | | date | | description: FR 6010 / 45 CS EN (mm) over-extension drawerside / side mount | |
| proven 01-02-2023 | | name | | drawing number: CS# 6010.450-GA.WARM | |
| | | | | replaces version date: | |
| Fulterer AG & Co KG A-6890 Lustenau / Austria Fulterer AG CH-9430 St. Margrethen | | ind. changes date na. | | | |