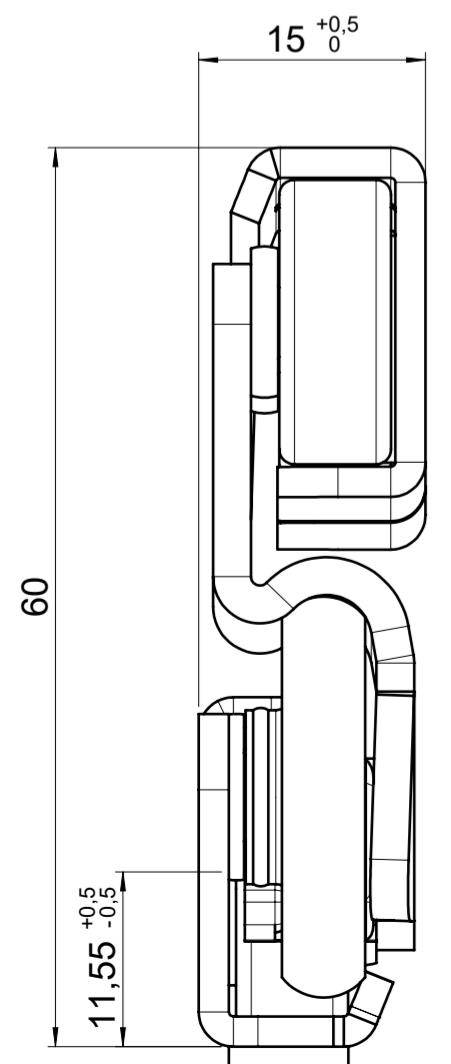
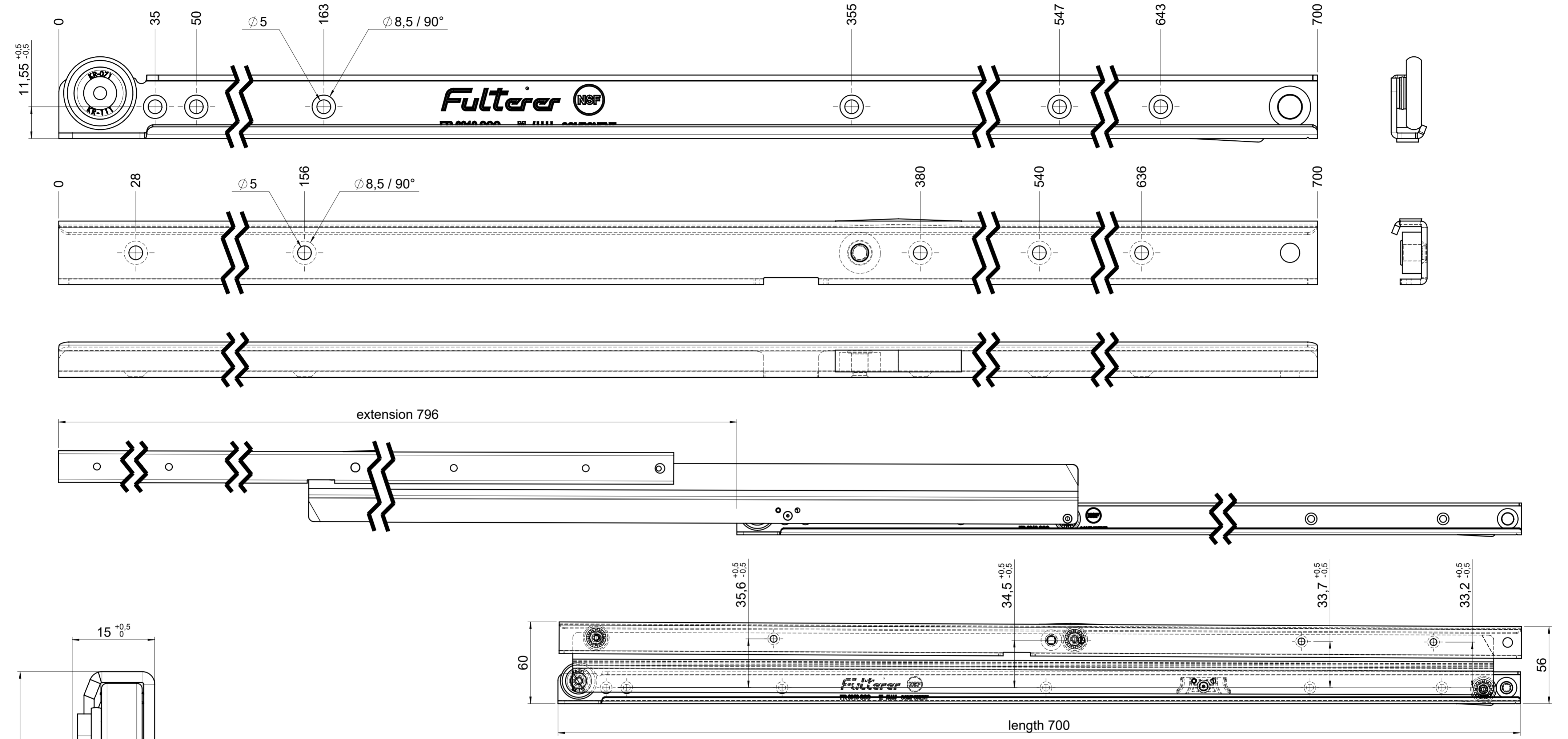


drawn left (right mirrorimage)



**final approval**

customer name:

signed by:

date:

**all dimensions in mm**

DIN ISO 128-30  
missing dimensions see 3D  
 = theor. intersection

This drawing remains our property and may not be multiplied neither be disclosed to third parties (§§1,3 and 5 from the copyright Act (UrhG)) covered according to DIN ISO 16016					scale: 1:1	surface:	material, semi finished parts: CS (technical requirements Fulterer)	A2
(k)					date	name	description: FR 6010 / 70 CS EN (mm) over-extension drawerslide / side mount	drawing number: <b>CS# 6010.700-GA.SB00</b>
(l)					drawn 02-01-2023	pr		
(m)					proven 01-02-2023	pr		
(n)								
(o)							Fulterer AG & Co KG A-6890 Lustenau / Austria	
(p)					Fulterer AG CH-9430 St. Margrethen			replaces version date:
(q)								
(r)								
(s)								
(t)								
(u)								
(v)								
(w)								
(x)								
(y)								
(z)								
ind.	changes		date	na.				