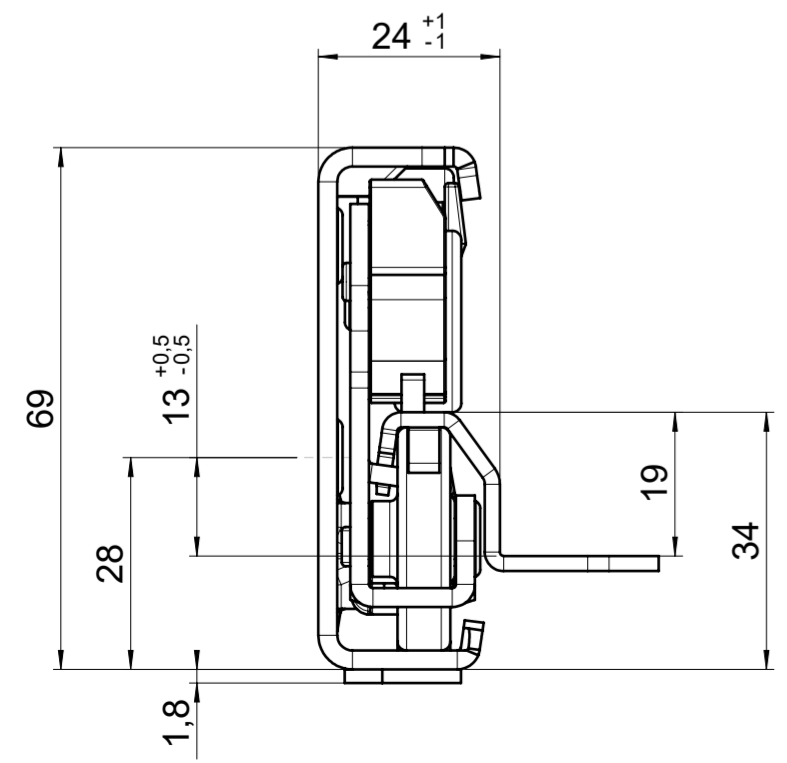
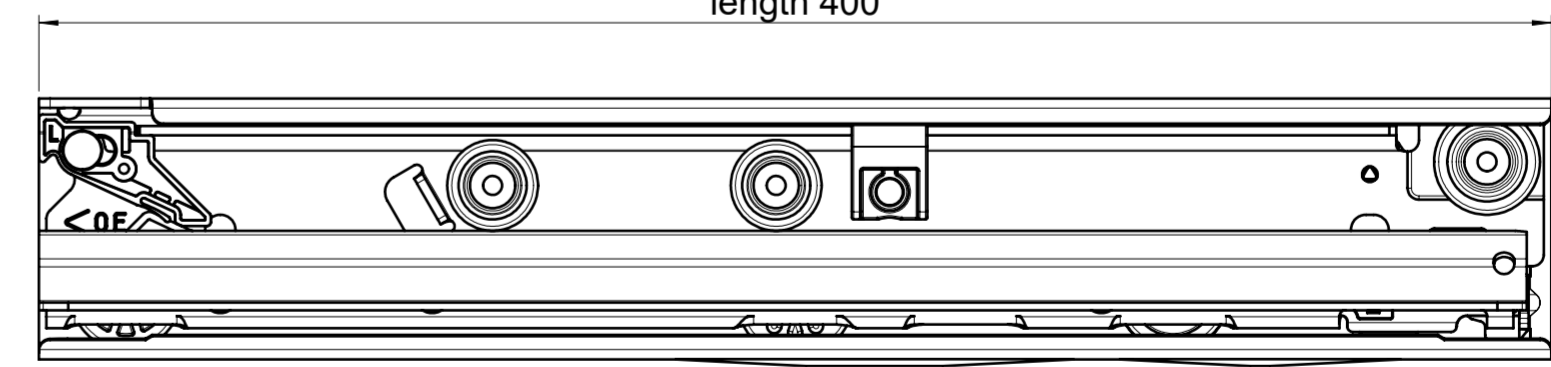
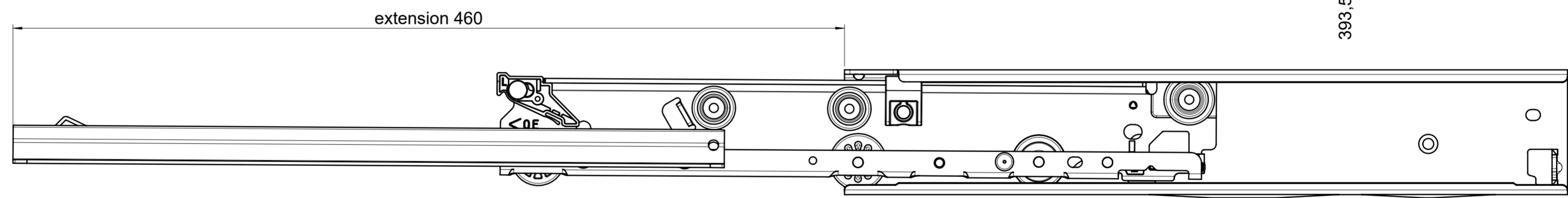
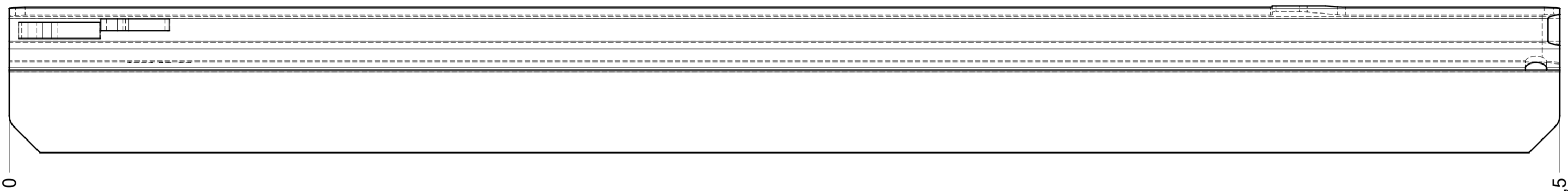
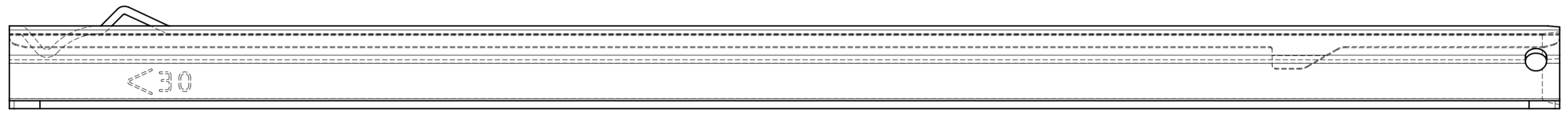
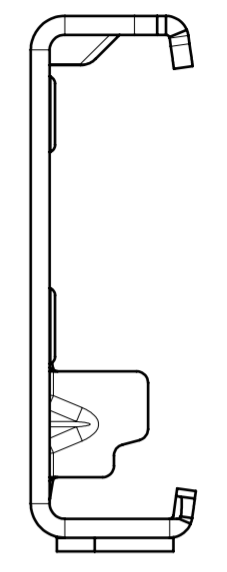
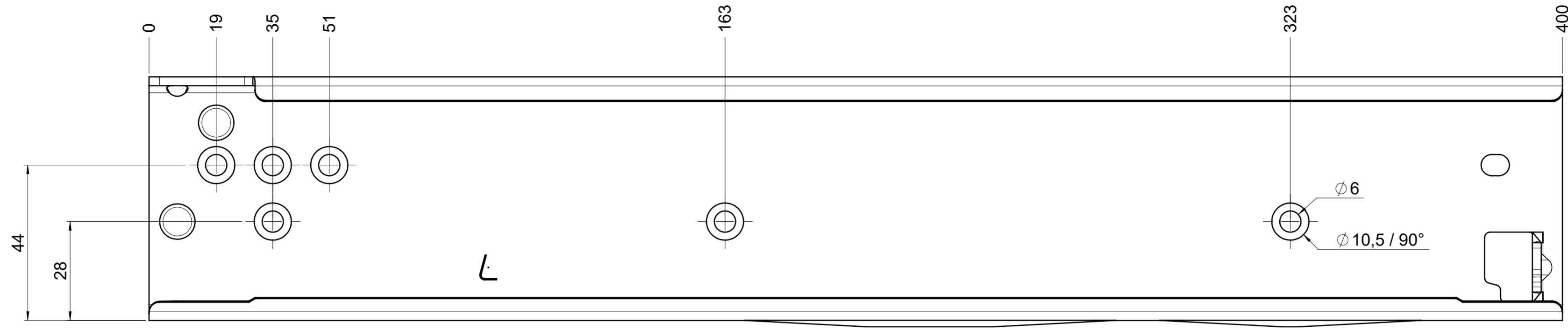


CS# 7100.400-GAÜ.0000

drawn left (right mirrorimage)



final approval

customer name:

signed by:

date:

all dimensions in mm				DIN ISO 128-30 missing dimensions see 3D = theor. intersection	
This drawing remains our property and may not be multiplied neither be disclosed to third parties (§§1,3 and 5 from the copyright Act (UrhG)) covered according to DIN ISO 16016					
scale: 1:1		surface:		material, semi finished parts: CS (technical requirements Fulterer)	
drawn 14-12-2022		date 14-12-2022		name BM	
proven 00-00-0000		date 00-00-0000		name 00	
				description: FR 7100 / 40 CS EN (mm) progressive-action over-extension drawerslide / bottom mount	
Fulterer AG & Co KG A-6890 Lustenau / Austria Fulterer AG CH-9430 St. Margrethen				drawing number: CS# 7100.400-GAÜ.0000	
ind. changes date na.				replaces version date:	