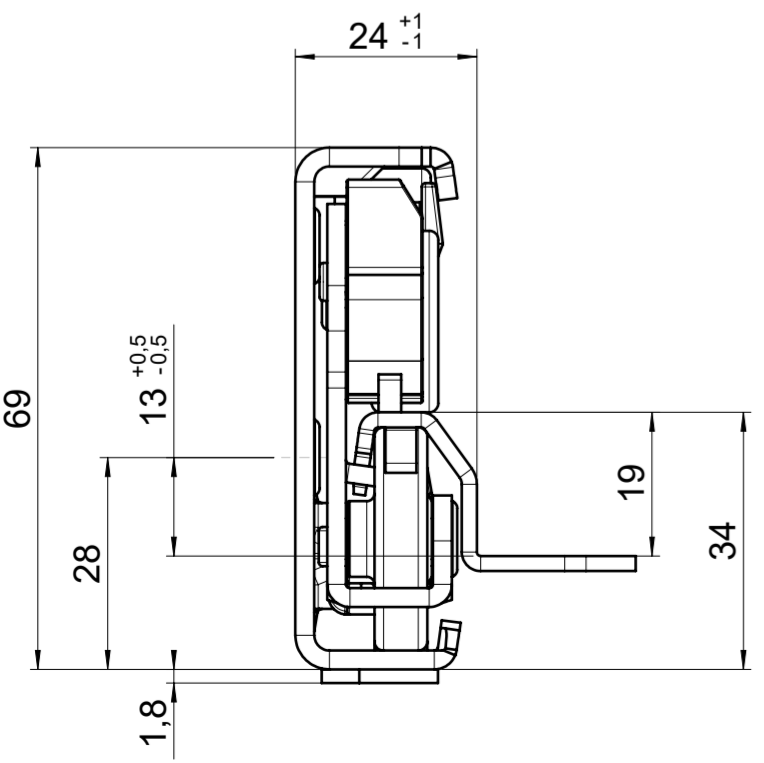
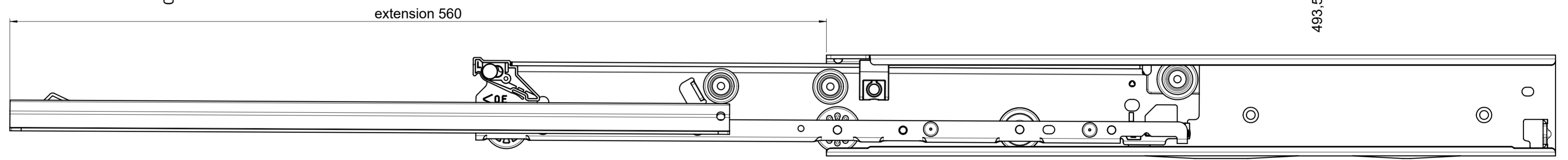
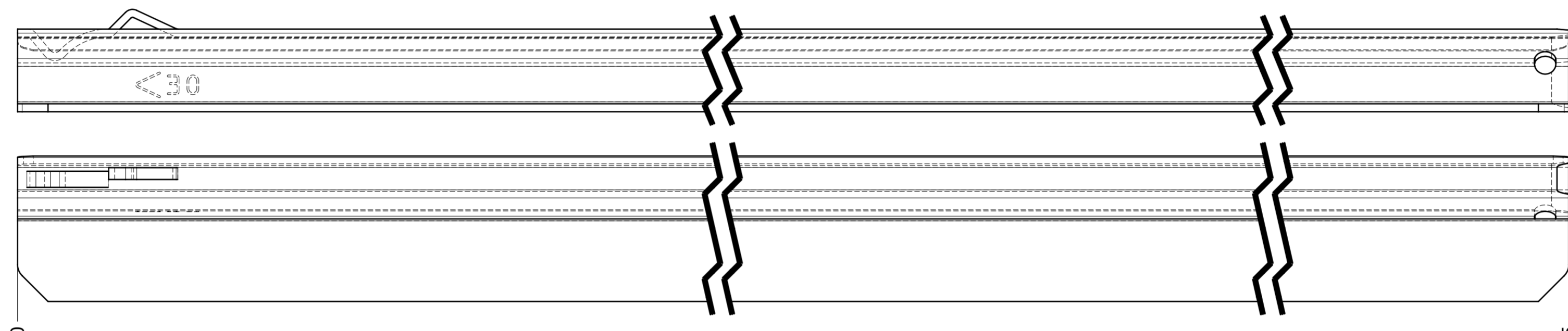
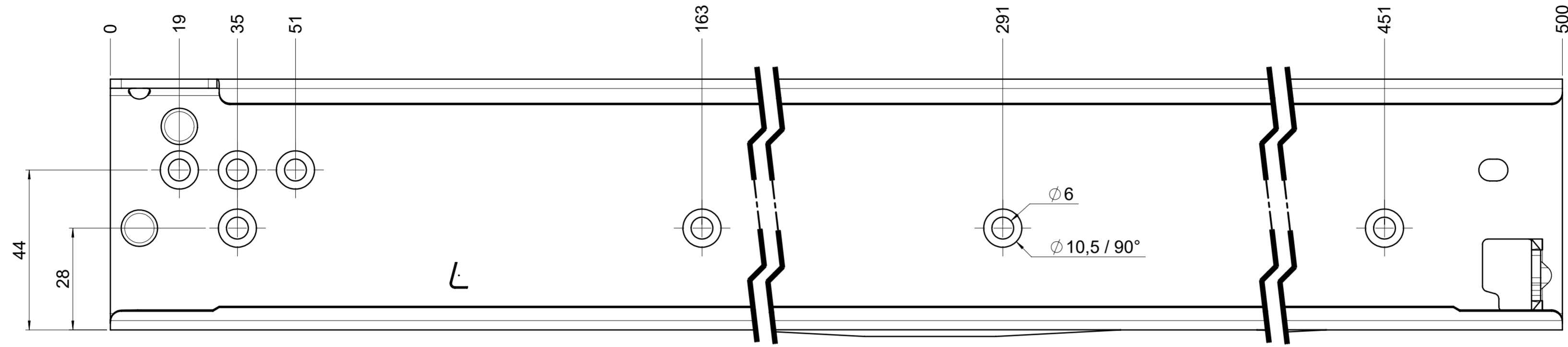


CS# 7100.500-GAÜ.0000

drawn left (right mirrorimage)



final approval

customer name:

signed by:

date:

| all dimensions in mm | | | | DIN ISO 128-30 missing dimensions see 3D = theor. intersection | |
|--|------------|----------|-----|---|--|
| This drawing remains our property and may not be multiplied neither be disclosed to third parties (§§1,3 and 5 from the copyright Act (UrhG)) covered according to DIN ISO 16016 | | | | | |
| scale: 1:1 | | surface: | | material, semi finished parts: CS (technical requirements Fulterer) | |
| drawn | 14-12-2022 | date | BM | description: FR 7100 / 50 CS EN (mm) progressive-action over-extension drawerslide / bottom mount | |
| proven | 00-00-0000 | name | 00 | drawing number: CS# 7100.500-GAÜ.0000 | |
| | | | | replaces version date: | |
| Fulterer AG & Co KG A-6890 Lustenau / Austria Fulterer AG CH-9430 St. Margrethen | | | | | |
| ind. | changes | date | na. | | |