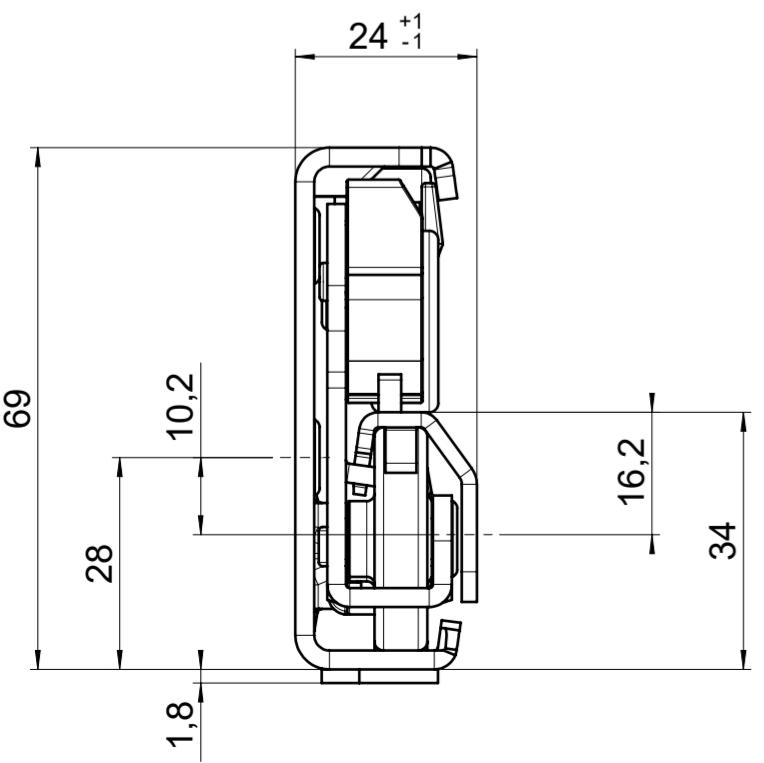
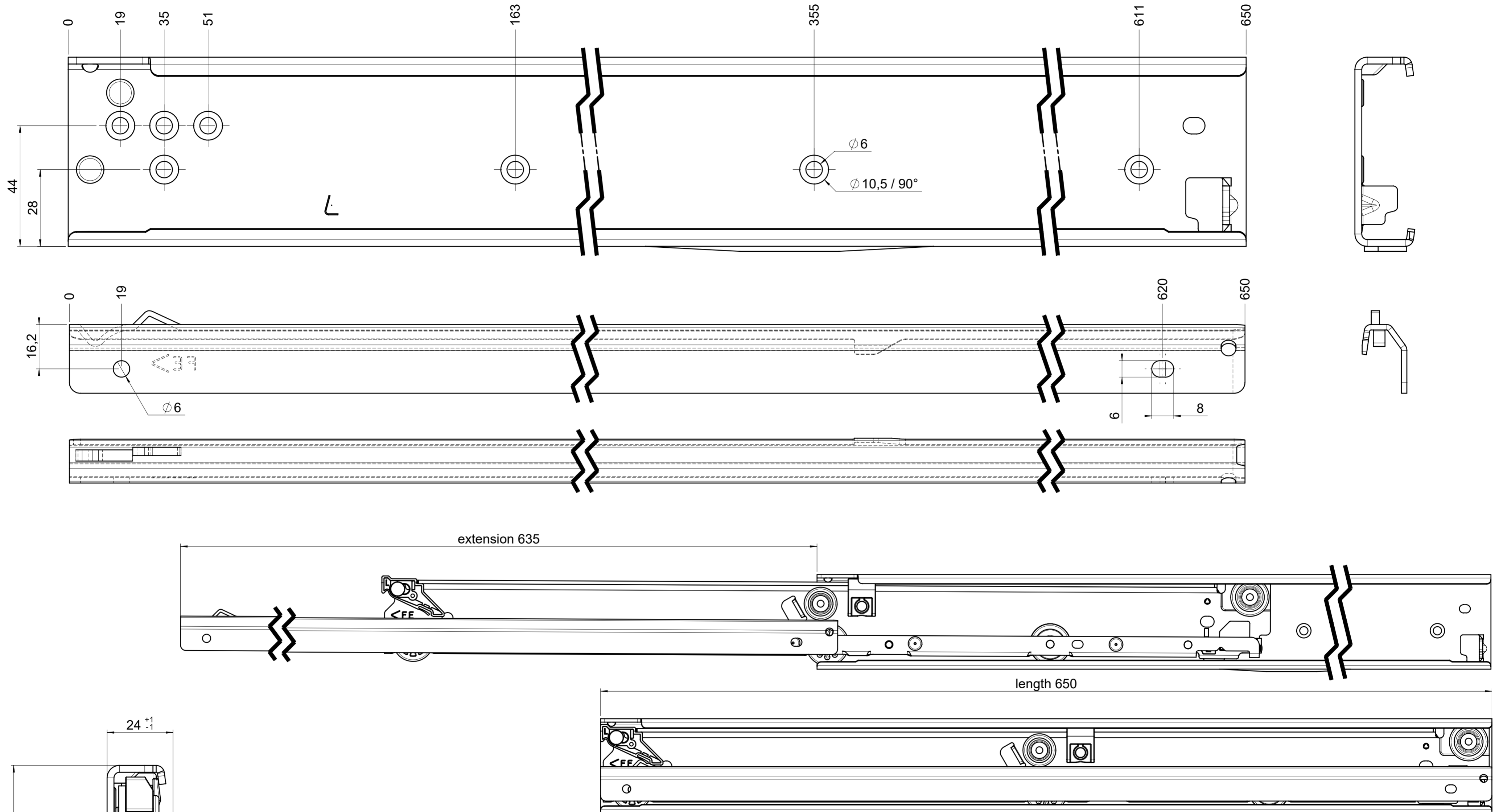


drawn left (right mirrorimage)



**final approval**

customer name:

signed by:

date:

all dimensions in mm				DIN ISO 128-30 missing dimensions see 3D = theor. intersection	
This drawing remains our property and may not be multiplied neither be disclosed to third parties (§§1,3 and 5 from the copyright Act (UrhG)) covered according to DIN ISO 16016				material, semi finished parts: <b>A2</b>	
scale: 1:1		surface:		CS (technical requirements Fulterer)	
drawn	date	name	description:		
proven	05-01-2023	BM	FR 7101 / 65 CS EN (mm)		
	00-00-0000	00	progressive-action full-extension drawerslide / side mount		
 <b>Fulterer AG &amp; Co KG</b> A-6890 Lustenau / Austria <b>Fulterer AG</b> CH-9430 St. Margrethen				drawing number:	
				<b>CS# 7101.650-GA.0000</b> replaces version date:	
ind.	changes	date	na.		