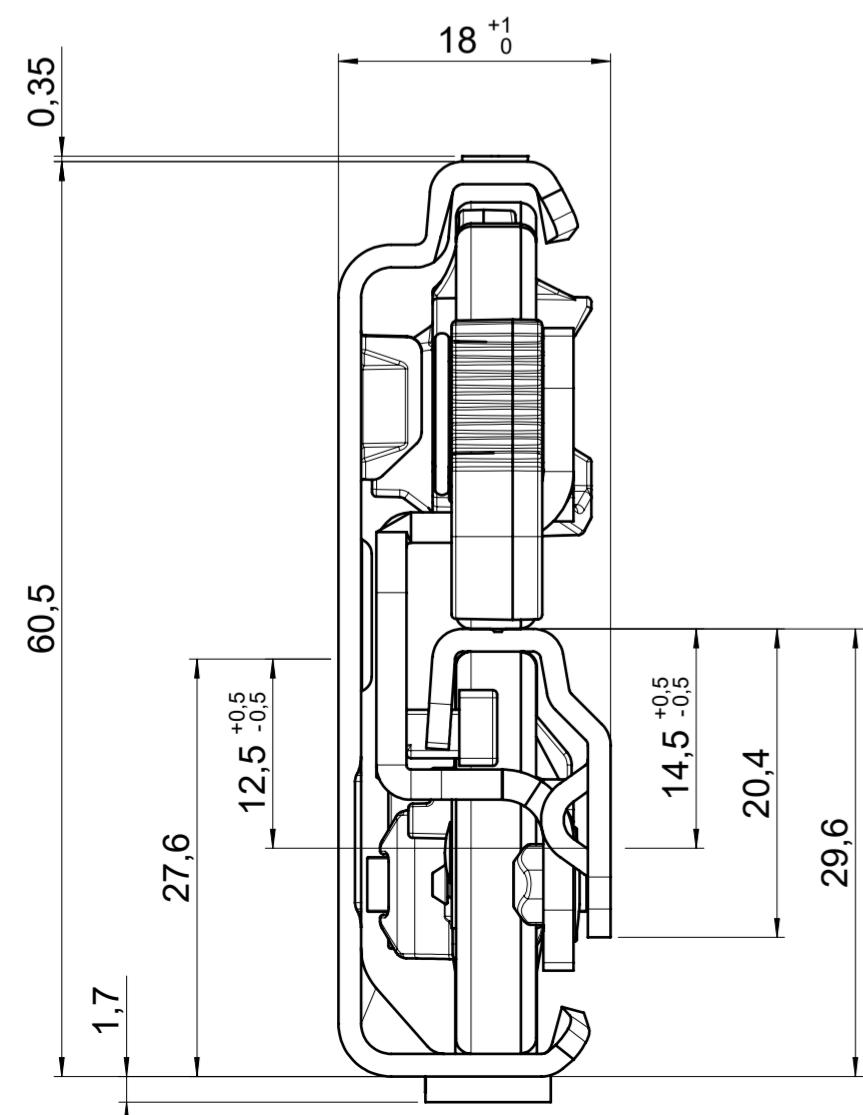
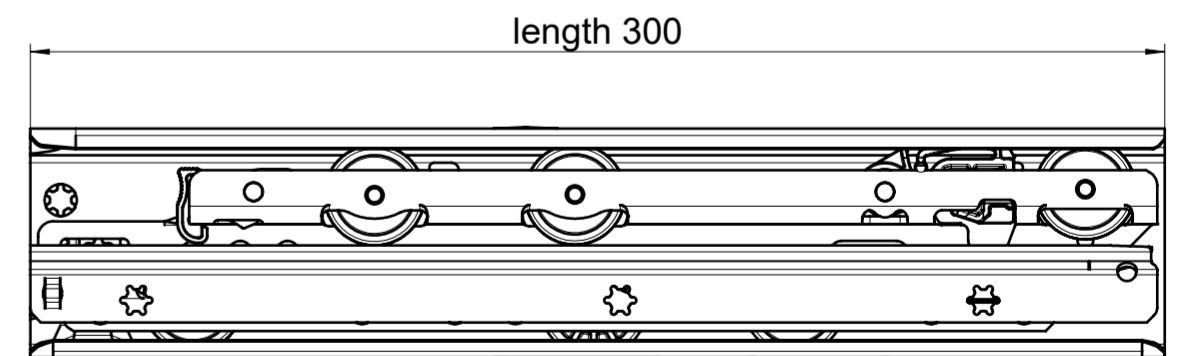
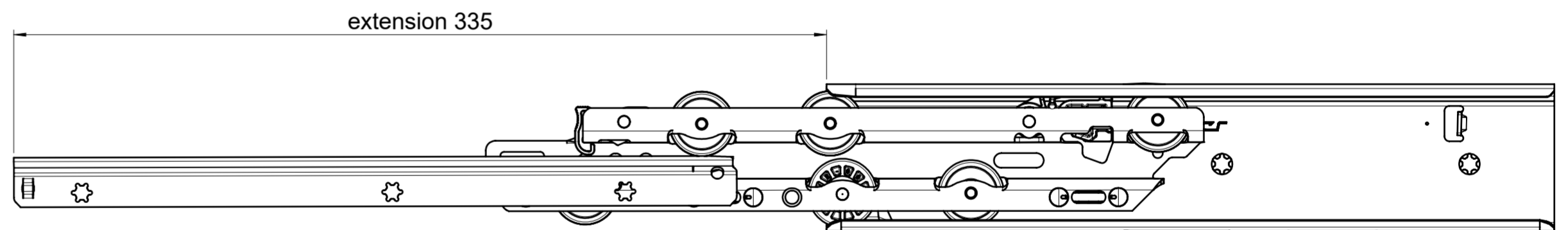
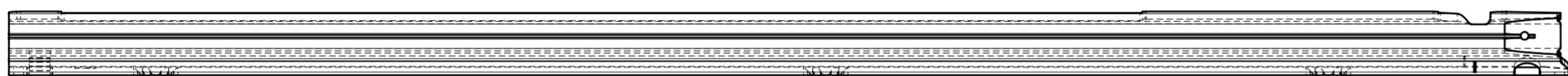
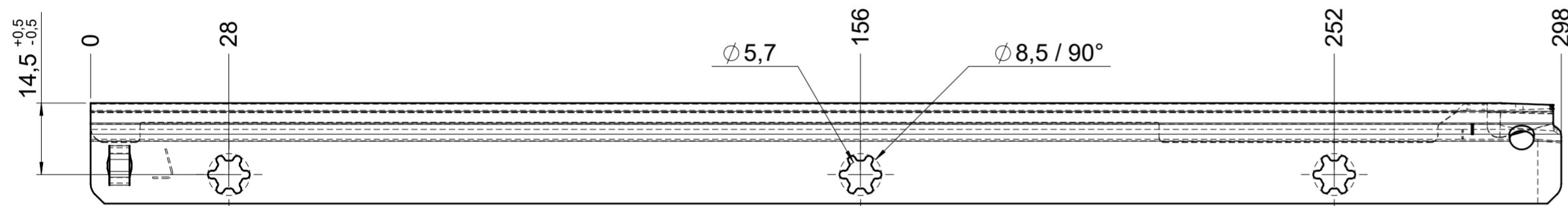
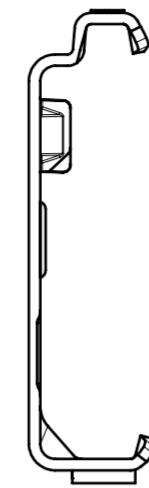
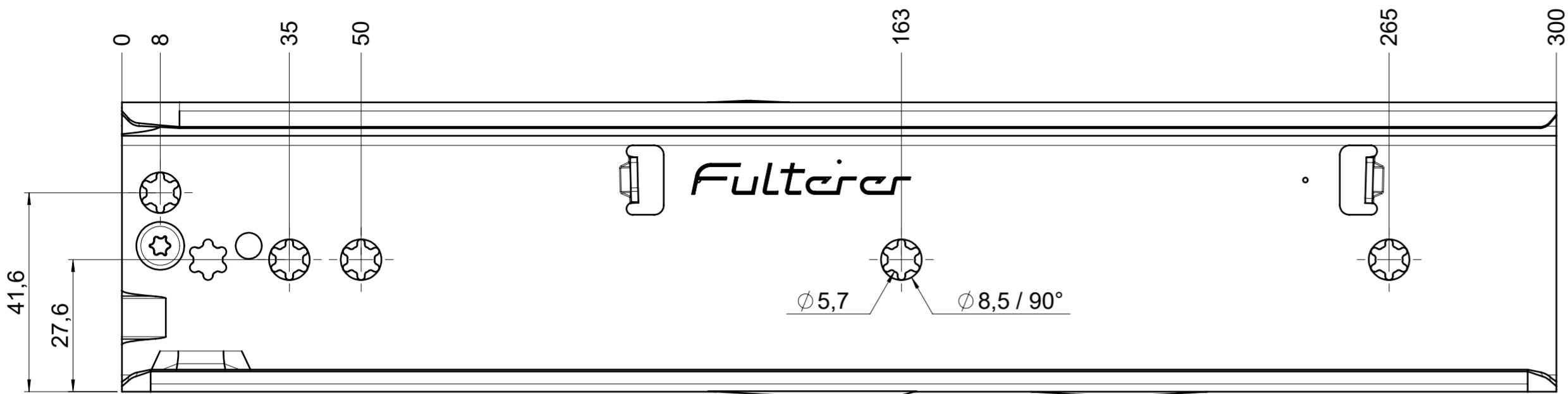


drawn on the left (mirrored on the right)



final approval

customer name:

signed by:

date:

all dimensions in mm										
missing dimensions see 3D $\Rightarrow \ominus$ = theor. intersection		DIN ISO 128-30		scale: 1:1	surface/color:		material: (technical requirements Fulterer) CS			
prototype approval					drawn	date	name	description: FR 795-300 CS EN (mm) progressive-action over-extension drawerslide / side mount		
					2023-10-09	RK	RK			
 Fulterer AG & Co KG A-6890 Lustenau Fulterer AG CH-9430 St. Margrethen					proven	2024-01-12	RK	drawing number: CS# 795.300-GA.L500		
					ind. changes			date	name	replaces the edition:
This drawing remains our property and may not be multiplied neither be disclosed to third parties (§§1.3 and 5 from the copyright Act (UrHG)).										
									covered according to DIN ISO 16016	
A2										